

Safety Information

- Avoid electrostatic discharge.
- Do not look directly into the light source.
- The luminaire must be mounted out of normal reach and must not be covered by any debris or insulating material.
- Ensure a minimum 50mm air space around the luminaire and control gear.

General Information

- 1) A qualified electrical, in accordance with IEE wiring regulations, should carry out connection to mains wiring .
- 2) Ensure that the rated luminaire voltage and frequency requirements are compatible with the available mains voltage.
- 3) Do not carry out high voltage insulation test, i.e 500/1000v as this may damage the components.
- 4) This lighting track must be earthed.



Accent LED Spotlight & Direct D3 Lighting Track



PK/LEAFLETACCD3

REVISION A MAY 2018

TECHNICAL SUPPORT
Telephone: 0161 331 5700
E-mail: technical@whitecroftlight.com
<http://www.whitecroftlighting.com>



Whitecroft Lighting Limited
Burlington Street, Ashton-under-Lyne,
Lancashire OL7 0AX
Telephone +44 (0)161 330 6811 Facsimile: +44 (0)161 331 5855
www.whitecroftlighting.com

Product details

Whitecroft Direct D3 is a continuous lighting track suitable for mounting Accent LED spotlights with Fixed Output or Dali dimming drivers. Integrated copper conductors enable up to 3 mains power circuits plus 2 control conductors.

Product Specification

Power	Maximum 16A single circuit or 3 x 16A on 3 circuits
Voltage	220-240V
Frequency	50/60Hz
Ingress Protection	IP20
Body material	Aluminium
Colour	White RAL 9010 or black RAL 9005

Components

The system comprises the following components (change suffix W = white to B = black):

- Track, 1 or 2m (DD1MW / DD2MW)
- Live end feed (DDLIVEW)
- Blank end cap (DDEW)
- Suspension Kit, for suspended installations (DDSUSP2MW)
- Straight Connector, for joining track lengths (DDJW)
- Fixed 'L' Connector, for 90 degree corners (DDLW = inner earth conductor, DDLEW = outer earth conductor)
- Flexible Connector, for adjustable angle corners (DDADJW)
- Conductor Cutting Tool - essential if cutting track during installation (DDCUTTOOL)

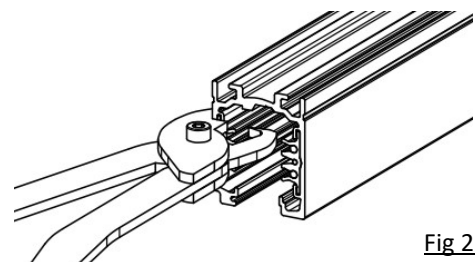
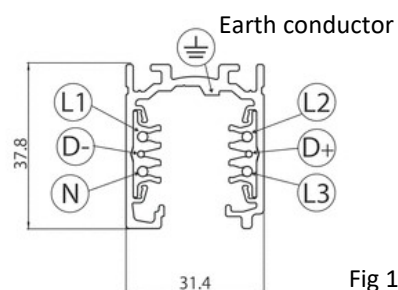
Installation Instructions

The earth conductor position must be aligned on the same side of the track for the whole system . (Fig 1). Polarity must be observed.

Before installing, lay out the components, ensuring the power feed is at the desired end of the track.

The live end feed is provided with a mechanical key to ensure correct insertion into the track.

Where track is to be cut down during installation, a Conductor Cutting Tool (Fig 2) is required to ensure the conductors are 5mm inside the cut end of the track. This is to comply with safety standards.



Accent Spotlight - Installation Instructions

A **ISOLATE MAINS SUPPLY TO TRACK BEFORE COMMENCING INSTALLATION**

B

- Push up into the track at a 45° angle, listening for the click. The spotlight can only be fitted one way; be sure to check polarity first and make sure the selected circuit dial is off.

C

- Move fixing arm until you hear a click (1) to secure the fitting into the track.
- From off select the correct circuit dial: 1, 2 or 3 (2).

D

- Position spotlight in required location and to desired orientation.

E

TO REMOVE FROM TRACK

- Isolate mains supply.
- Turn circuit dial to OFF and fully unlock fixing arm (1).
- Tipping down the fixing arm side first (2), carefully remove from the track (3).

F

TO REMOVE FROM TRACK

- Isolate mains supply.
- Turn circuit dial to OFF and fully unlock fixing arm (1).
- Tipping down the fixing arm side first (2), carefully remove from the track (3).

REINSTATE MAINS SUPPLY

Accent LED Spotlight



Product details

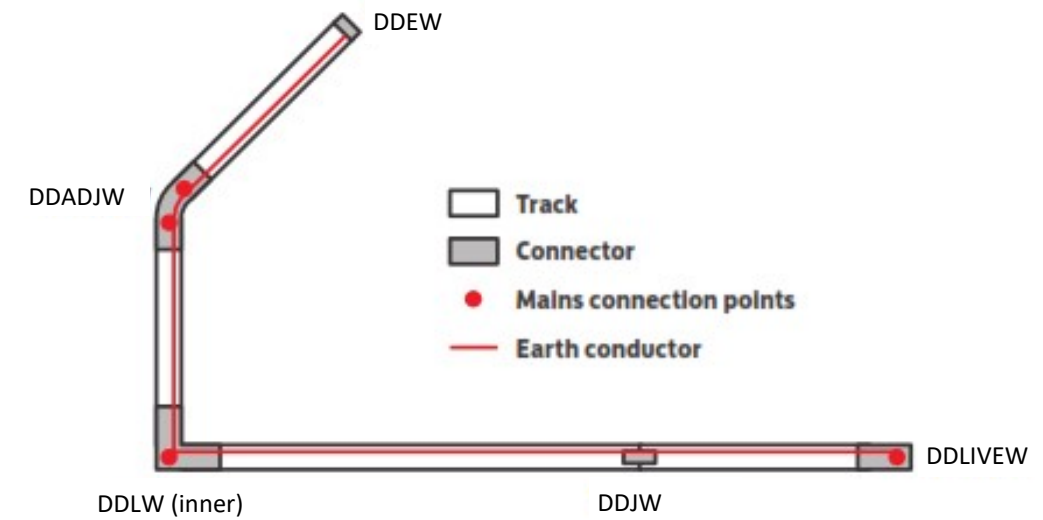
Accent is an LED spotlight range suitable for mounting on Whitecroft Direct D3 track or surface mounted using the appropriate adapter.

Product Specification

Power	12 or 22W
Output	945 to 1046 lumens (12W), 1595 to 1965 lumens (22W)
Voltage	220-240V
Frequency	50/60Hz
LED	3000k or 4000K
Driver	Fixed output or Dali dimming
Optics	Narrow, Medium or Wide beam
Ingress Protection	IP20
Ambient temperature	-25 to +25°C
Body material	Aluminium
Colour	White RAL 9010 or black RAL 9005

Layout example

The earth conductor position must be aligned on the same side of the track for the whole system



Installing track

Ensure suitable fixings are used for the mounting surface and to safely take the weight of the track and spotlights. Weights and maximum loads are given below for guidance.

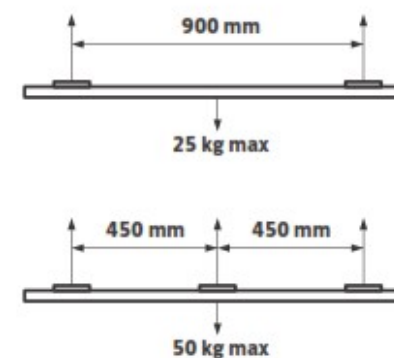
Accent spotlight	1.0kg
1m track	1.1kg
2m track	2.2kg
Corner connectors	0.2kg
Emergency luminaire	1.2kg

For suspended installations, the adjustable clutch mechanism can be used to ensure the track is level.

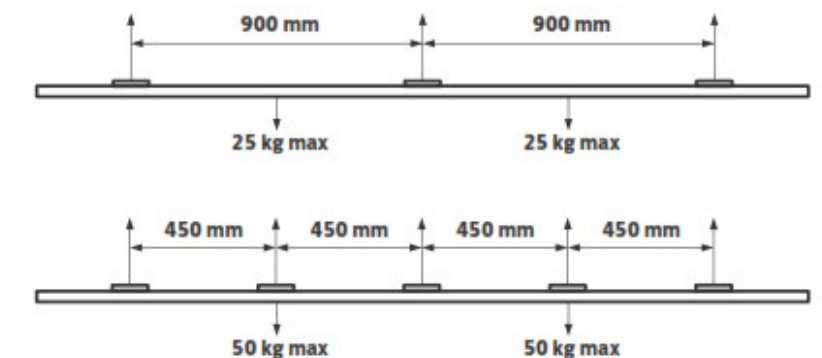
Suspension points should not exceed the distances show below.

Maximum Load

1 m Track



2 m Track

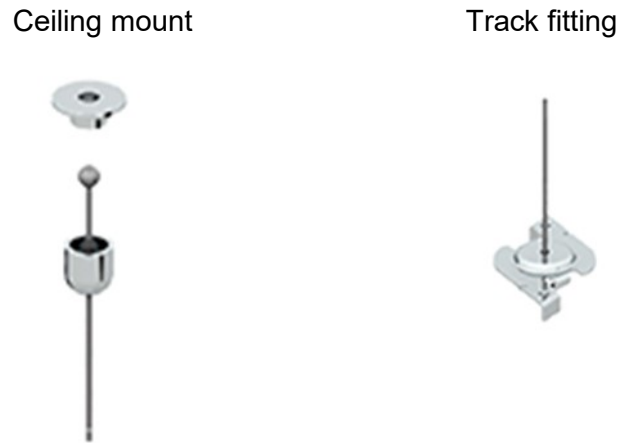


Installation Instructions

Surface mounting

Use holes at 500mm centres or drill track on centreline to suit. Fixing to mounting surface to provided by installer and should be suitable to accept the weight of the track and luminaires.

Suspended mounting kit (DDSUSP2MW / DDSUSP2MB)



Fix ceiling mount to surface using suitable fixings. Ensure suspension wire is fitted through the lower hole.

Thread wire through track fitting and clip onto track.

The track height can be adjusted using the small clutch mechanism to lower or pulling the wire to raise.

Use a spirit level to ensure the track is horizontal.

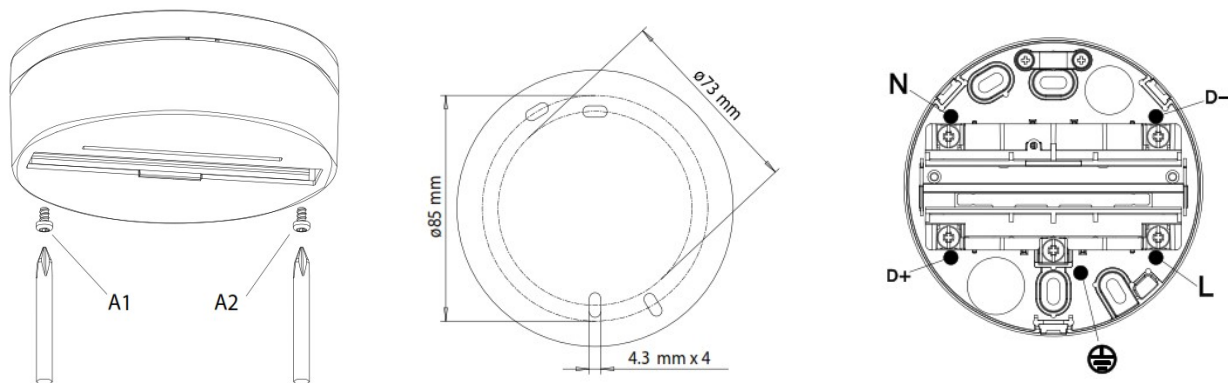
Surface mounting adapter (DDCLGW / DDCLGB)

Unscrew A1 and A2, gently squeeze the sides and remove the cover plate.

Fix to required surface using the back body as a template.

Bring cables in through either of the large holes.

Connect wires as shown. Live, Earth, Neutral and Dali + and - if required.

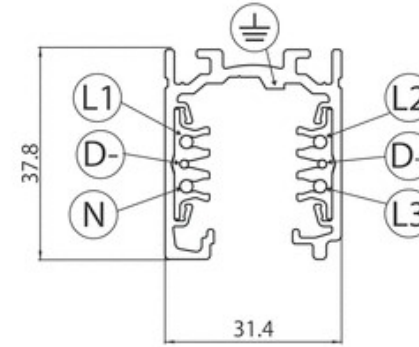


Track Wiring Instructions

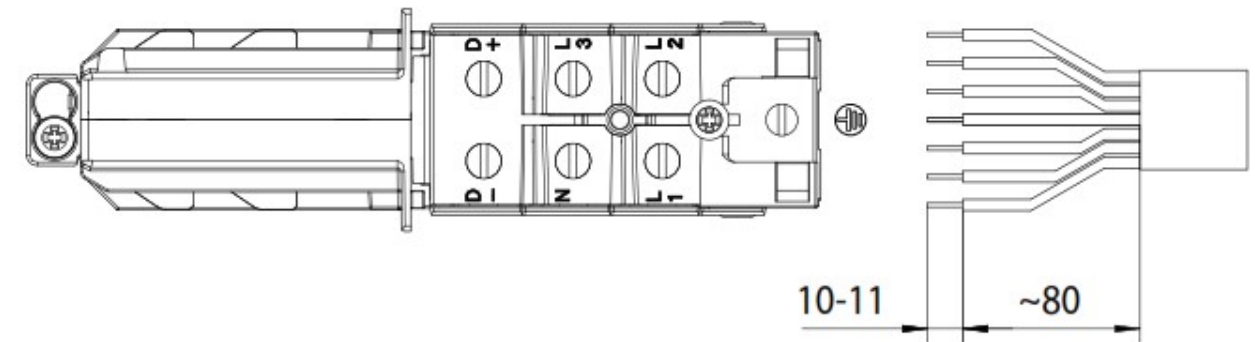
Isolate mains supply before making any electrical connections.

The live end feed can accept cable entry from the end or from above by removing the appropriate knockout.

Supply cable: 5 or 7 core, 1.5 to 2.5mm²



Terminal positions and recommended wire lengths:



Electrical Connections

