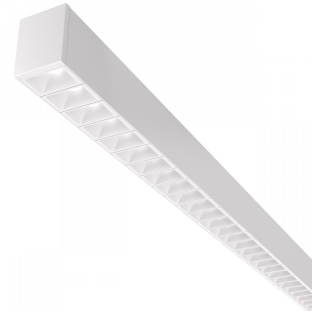


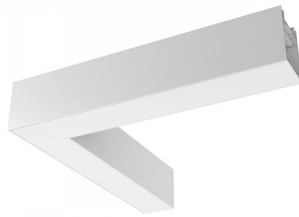
Avenue Metro Surface Vitality



Surface, Pod, White



Surface, Hexaprism, Organic Response, White



Surface, Pod, Corner, White



Surface, Hexaprism, Corner, White

Overview

Avenue Metro Vitality's modular design and replaceable components make upgrades and regeneration possible. Designed for circular buildings of the future it is supported by independent accreditation achieving Cradle to Cradle® certification at the bronze level along with a material passport to aid reuse, regeneration and recycling at the end of the product's life.

Optics

- Opal optic for general, circulation and feature areas
- Hexaprism and Pod optics for visual comfort and optimum glare control in office environments and EN12464-1 and LG compliant schemes
- TP(a) rated polycarbonate diffusers
- White pod optic (RAL 9003)
- 4000K 'cool' white LEDs
- Ra80 standard, Ra90 available on request
- E-Light LEDS
- Medium (Hexaprism and Pod) and high (Opal) outputs available
- Typical lumens per metre (based on 3m luminaire length:)
 - Pod - Medium Output - 1933 lumens
 - Hexaprism - Medium Output - 1610 lumens
 - Opal - High Output - 2840 lumens

Luminaire Outputs

	Pod	Hexaprism	Opal
	(Medium Output)	(Medium Output)	(High Output)
1250mm	2416lm (20W)	2012lm (18.5W)	3550lm (28.6W)
1500mm	2900lm (28W)	2415lm (22.4W)	4260lm (36.4W)
2000mm	3866lm (28W)	3220lm (30W)	5680lm (50W)
3000mm	5799lm (28W)	4830lm (44.3W)	8520lm (70W)
Emergency Outputs			
	Pod	Hexaprism	Opal
	300lm	270lm	360lm

?

Body

- Modular design to support future upgrades and regeneration
- IP40 when surface mounted
- Extruded aluminium body with die cast end caps
- Through wiring for simple electrical connection
- Integral emergency options; 3 hour and addressable COMECS, using Lithium Ion Phosphate batteries
- Body lengths up to 3m, a 1.25m body allows any length over 2m to be achieved in 0.25m increments
- Corner units for creating signature shapes*
- Optional integral **Organic Response®** wireless sensor that communicates with its neighbouring luminaires, automatically controlling light across the area†
- Surface mounting kit supplied separately
- End caps and continuous joining kits supplied separately
- Suspended and Recessed options also available

Accessories

- White End Cap Kit (Pair) AOPENDCW
- Continuous Mounting Kit AOCMOKIT
- Surface Mounting Kit AOSMOKIT
- 1000mm Infill White AOP1000INFW
- 1250mm Infill White AOP1250INFW
- 1500mm Infill White AOP1500INFW
- 2000mm Infill White AOP2000INFW

* Corner units for the Pod optic system are blank infills and not illuminated

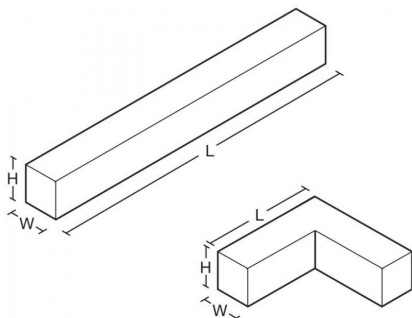
† Every luminaire within an area to be controlled must have an integral **Organic Response®** detector. Wall switch and dongle are also available (supplied separately)

Note: DALI luminaires require 1 DALI address per driver. COMECS addressable emergency variants will require an additional DALI address.

LED Performance

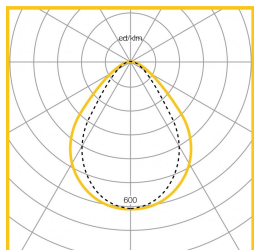
Colour Temp	RA (CRI)	Life expectancy	Colour consistency
4000K	>80	>100,000 hrs	MacAdam 3SDCM

Dimensions

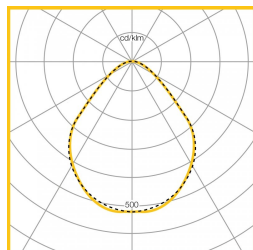


VERSION	L	W	H	KG	KG(EM)
1.25m	1250	80	100	5.0	5.5
1.5m	1500	80	100	6.0	6.5
2m	2000	80	100	7.5	8.0
3m	3000	80	100	11.5	12.0
Corner	520	80	100	4.0	4.5
End Cap	10	80	100	0.1	-
1m Infill	1000	80	100	2.7	-
1.25m Infill	1250	80	100	3.3	-
1.5m Infill	1500	80	100	4.0	-
2m Infill	2000	80	100	5.3	-

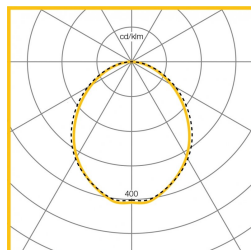
Photometric Performance



Surface Pod LED
4000K
LOR = 100%
SHR MAX = 1.45



Surface Prismatic
LED 4000K
LOR = 100%
SHR MAX = 1.51



Surface Opal LED
4000K
LOR = 100%
SHR MAX = 1.52

To Specify

Surface linear LED system with a modern minimalist aesthetic and TP(a) optic. Modular options for creating clean continuous lines of light or as a stand-alone luminaire for use in multi-functional spaces. End caps and joining kits to be supplied separately - as Whitecroft Lighting AVENUE METRO VITALITY
