

SPECIFICATION

Lamp type	LED
Finish	RAL 9003(White) / Anodised Aluminium
Materials	Mild Steel / Aluminium
Weight	Max = 2kg
Supply	220-240V AC, 50/60Hz
Operating temp	0-30C°
Connection	2.5mm ² input terminal block
Ingress protection	IP20

Please note: These luminaires are a component part of a lighting control system that requires both additional equipment as well as programming. The maximum distance between fittings or a 2.4GHz low energy gateway is 8 metres. For full details please contact Whitecroft technical support.

These units are available with a simple Self-test feature. If fitted this circuit will carry out function checks once per month and indicate any problems with the battery or circuit.

EX1SM & EX1RM luminaires use long life LED's to illuminate the sign legend. There are no customer serviceable parts. They are designed to last for 5 years after which time they should be sent for recycling and replaced with a new unit.

The legends are fitted via four thumb-screws. Therefore legends can be easily be changed when the luminaire is installed.

GENERAL INFORMATION

1. A qualified electrician, in accordance with IET wiring regulations should carry out connection to mains wiring.
2. This unit must be EARTHED.
3. Ensure that the rated voltage and frequency requirements are compatible with the available mains supply.
4. Cleaning of reflectors and lenses should be carried out using clean, soft and lint free cloths and anti-static cleaning fluid
5. Do not carry out high voltage insulation test, i.e. 500/1000v this may damage internal components.
6. Observe ESD precautions during installation.
7. The light source contained in the luminaire shall only be replaced by the manufacturer, their service agent or a similarly qualified person.
8. Batteries must only be replaced by a qualified electrician once they fail to meet the required duration.
9. Luminaire must be isolated before commencing any necessary maintenance work or battery connection.

TECHNICAL SUPPORT

Telephone: 0161 330 6811

Email: technical@whitecroftlight.com

<http://whitecroftlighting.com/>

Whitecroft
lighting

Concert EX1S OR3



Installation Instruction

PK-LEAFLETFEXOR3S

November 2023 - Rev E



Whitecroft Lighting Limited

Burlington Street, Ashton-under-Lyne, Lancashire OL7 0AX
Telephone +44 (0)161 330 6811 Facsimile: +44 (0)161 331 5855
Registered No. 3848973 England Registered Office: As above

CONCERT EX1SM

High Voltage LED's



Electrostatic Sensitive Device



Whitecroft Lighting Limited

PREPARATION

EX1SM suspended Exit signs are available with a selection of ceiling and wall mounting plates. The selected mounting plate should be fitted to the mounting surface using fixings appropriate to the application. Supply cables should be installed according to National Wiring Regulations and should suit the type of mounting arrangement chosen. **Please note: No strain relief is provided for supply cables, installer must provide if necessary.**

The EX1SM body is provided with two fixing studs. In the case of the ceiling and flag mount brackets the two studs push into key slots and are secured by a screw in the side. The wall mount bracket is secured by quarter turn twist locks which are rotated so the blade of the flat hooks locates into the slots on the mounting studs.

INSTALL

1. Unscrew the gear box cover and slide out from the gear box making sure the screw and earthing washer is retained. Set cover to one side.
2. A support cable has been provided that can be detached from the fitting and screwed to the ceiling mount brackets. It can then be re-attached so the fitting hangs on one side for wiring.
3. Bring the supply cable through the grommet on either side of the gear box and connect to the terminal block.
4. Replace the gear box cover.
5. Remove the end cap from exit sign housing. Slide away extruded cover.
6. Connect the batteries.
7. Replace the extruded cover and the end cap.
8. Attach to the mounting bracket as mentioned above.

Accessory Part Codes:

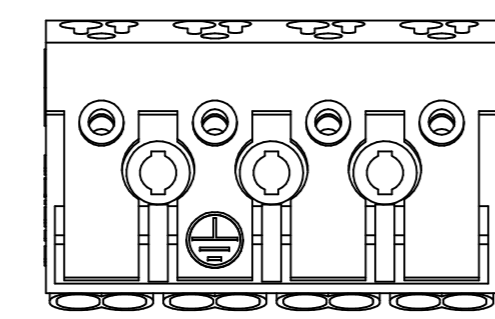
Ceiling Mounting Bracket - **EX1SCBRK**

End Fixing (Flag) Mounting Bracket - **EX1SEBRK**

Wall Mounting Bracket - **EX1SWBRK**

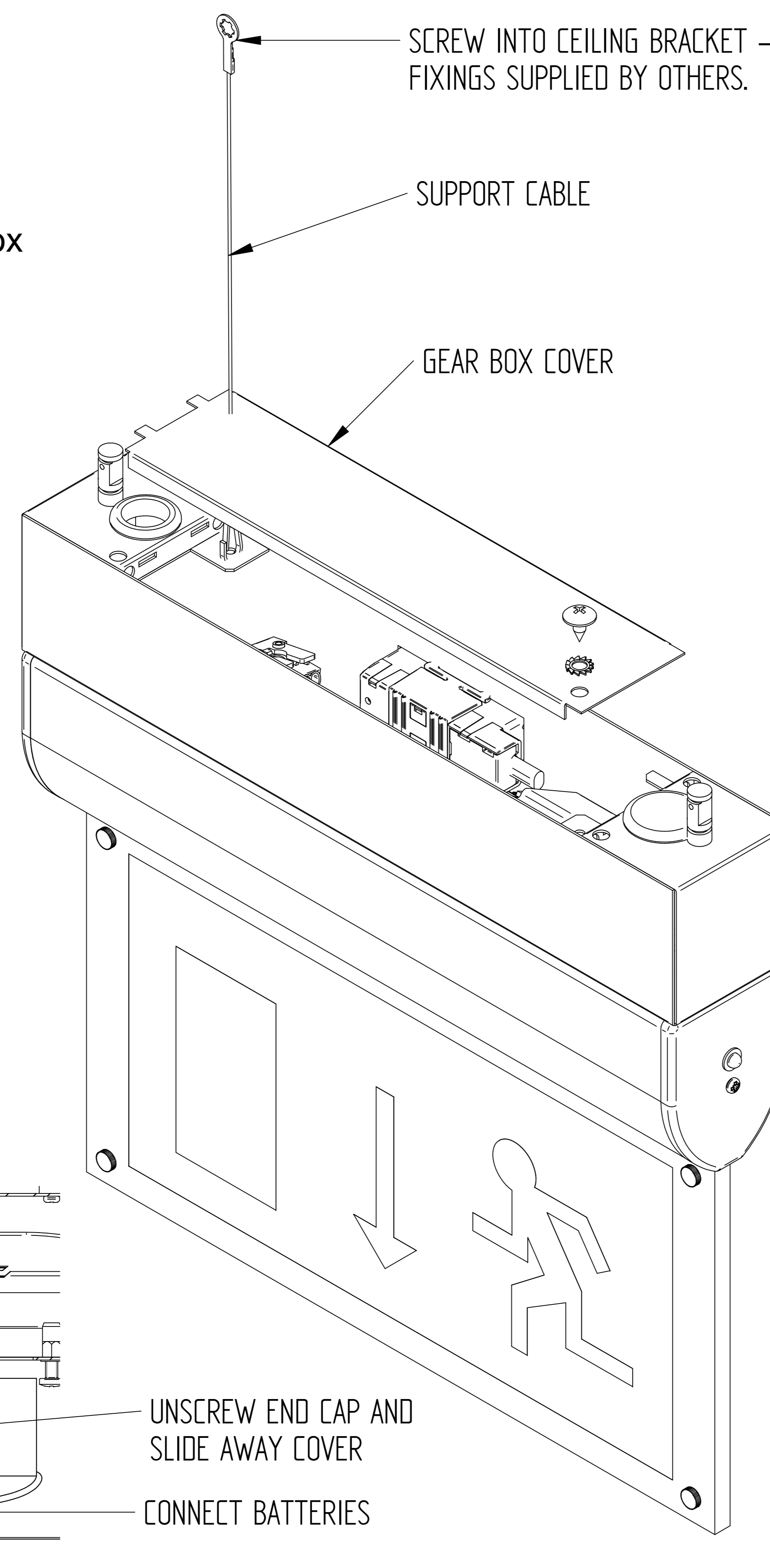
Wire Suspension Kit (1m) - **EX1SWIR**

FIG.1 MAINS TERMINAL BLOCK



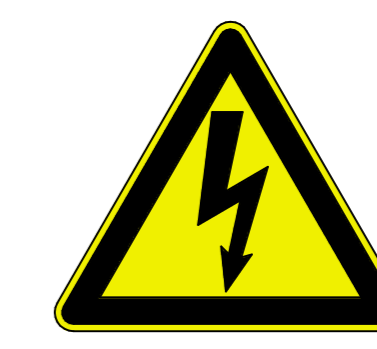
N E L1 L2

N- NEUTRAL
E- EARTH
L/L1- SWITCHED LIVE
L2- PERMANENT LIVE

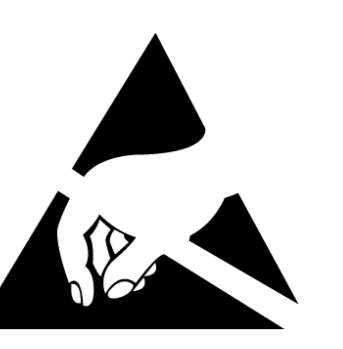


CONCERT EX1RM

High Voltage LED's



Electrostatic Sensitive Device



Whitecroft Lighting Limited

PREPARATION

EX1RM LED Exit signs utilise adjustable arms so that the main body can be passed through a suitable cut-out in the supporting surface (350mm x 95mm) and the arms can be adjusted to lock the unit against the plasterboard, T-bar or tile.

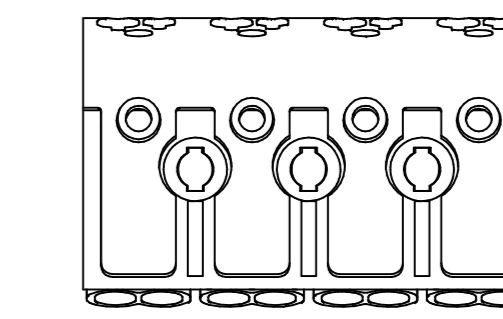
Ceiling thickness: 10-22mm

Where installing into thin or soft ceiling tiles, an additional pattress may be required. This should be a support panel, to be fitted behind the ceiling, cut from suitable sheet material with a hole drilled to match the luminaire cut aperture.

Please note: No strain relief is provided for supply cables, installer must provide if necessary.

INSTALL

1. Undo the two screws on the fascia plate. The fitting is supplied with safety cables enabling the fascia plate to hang during installation.
2. Pass the luminaire through the cut out and adjust the swing arms until the luminaire is securely located in the supporting surface.
3. Bring the supply cables through the top hole and connect to the terminal block: L1 is for permanent supply to charge the integral battery; L is for the switched supply if required.
4. Connect the batteries.
5. Insert the legend blade through the fascia plate and fix with the two screws and nuts provided.
6. Replace the fascia plate making sure all cables are tucked in and not obscuring LEDs.



E L1 L N

E- EARTH
L1- PERMANENT LIVE
L- SWITCHED LIVE
N- NEUTRAL

