

## GENERAL INFORMATION

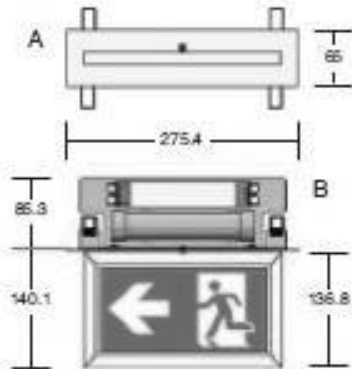
1. A qualified electrician, in accordance with IEE wiring regulations should carry out connection to mains wiring.
2. Ensure that the rated voltage and frequency requirements are compatible with the available mains supply.
3. Cleaning of reflectors and lenses should be carried out using clean, soft and lint free cloths and anti-static cleaning fluid. Use protective gloves when handling the product.
4. Do not carry out high voltage insulation test, i.e. 500/1000v this may damage internal components.

## SPECIFICATION

<b>Lamp types</b>	10 x 3 chip white LEDs
<b>Materials</b>	Aluminum extrusion body
<b>Supply Voltage</b>	(220-240V) ~ 50Hz
<b>Supply Current</b>	Maintained: 38mA Mains only: 22mA (5VA)
<b>Power</b>	4.8W
<b>Ingress protection</b>	IP20

## DIMENSIONS

<b>WEIGHT</b>	1.4 kg
Ø	
<b>H</b>	140.1mm
<b>L</b>	275.4mm
<b>W</b>	65mm



# Concert EX3S



RECESSED

Leaflet Avante Part Number

Release Date- Rev Number



## Whitecroft Lighting Limited

Burlington Street, Ashton-under-Lyne, Lancashire OL7 0AX  
Telephone +44 (0)870 5 087 087 Facsimile: +44 (0)870 5 084 210  
[www.whitecroftlighting.com](http://www.whitecroftlighting.com)

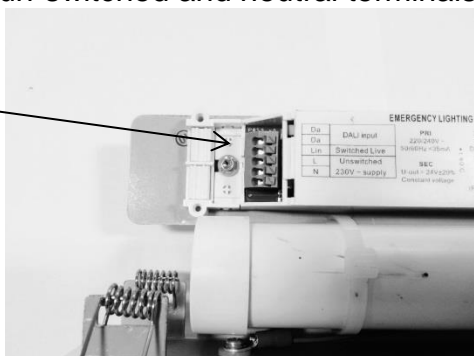
## INSTALLATION DETAILS

Recommendation: If possible insert the luminaire away from the ceiling, for example removing the ceiling tile; this makes it much easier to install the product.

Ceiling thickness: 1mm to 21mm

- 1) Cut a suitable size hole in the ceiling for the bulkhead to slot into. (250mm x 50mm). A ceiling void clearance of 88mm will be required.
- 2) Note: A pattress may be required for a more secure fit and to minimise damage to the ceiling. For example when being use with soft ceiling tiles.
- 3) Remove the ballast cover so you have access to the DALI, switched live, un-switched and neutral terminals.

Wiring terminals



- 4) Wire the mains into the live, neutral and earth terminals and replace the cover, fixing with the two screws. (Can be wired as non-maintained).
- 5) Make sure that the LED indicator is in place and is connected to the ballast along with the battery and light engine. Connect the battery if not already connected. Wire the DALI if needed, terminals are polarity free.

LED indicator in place



- 6) Hinge back the four springs to allow the product to slot into the cut-out made in the ceiling. Then release them to secure the product in place.

## Legend Installation

Remove the cover on the right hand side of the product (shown in figure 3) slide your chosen legend in place and replace cover.



## AUTOMATIC TESTING

### Commissioning Test

A full commissioning test is carried out automatically after permanent connection of the supply. The easy commissioning feature will set the initial test day and time to ensure random testing of units.

### Functional Test

Functional tests are carried out for 30 seconds on a weekly basis.

### Duration Test

A full duration test is carried out yearly to check the capacity of the batteries.

## STATUS INDICATION

(Standard LED configurations)

Single Bi-colour LED		STATUS	Two separate LED's	
GREEN	RED		GREEN	AMBER
ON		System OK	ON	OFF
FLASHING		Functional test underway	ON	OFF
	ON	Lamp fault	ON	FLASHING
	SLOW FLASH	Battery fault	OFF	FLASHING
	FAST FLASH	Charging fault	OFF	FLASHING

NOTE : IEC 60073 recommends that the charge indicator LED should be Green to indicate System OK. The above table conforms to those recommendations.

It is possible to reverse the bi-colour LED connections to swap Green and Red indications and it is also possible to have an alternative Red + Amber LED pair for compatibility with earlier product.