

Egress Exit Recessed Installation Leaflet



SEP 2020 - Rev A



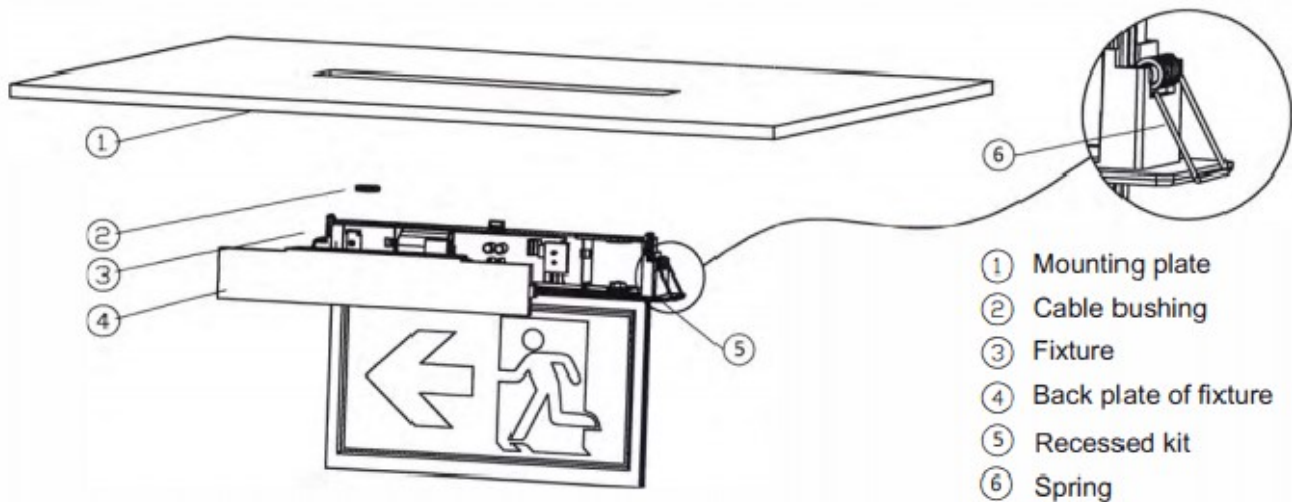
Whitecroft Lighting Limited

Burlington Street, Ashton-under-Lyne, Lancashire OL7 0AX

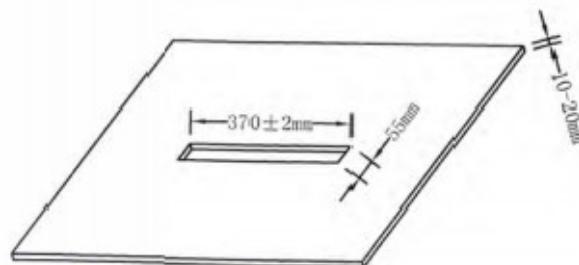
Telephone +44 (0)161 330 6811 Facsimile: +44 (0)161 331 5855

Registered No. 3848973 England

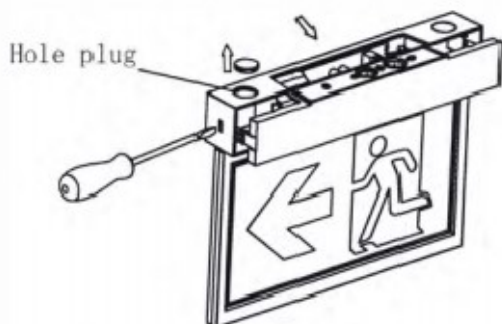
Registered Office: As above



- ① Mounting plate
- ② Cable bushing
- ③ Fixture
- ④ Back plate of fixture
- ⑤ Recessed kit
- ⑥ Spring



1, Make a cut out hole, dimension 370mm*55mm.
The thickness of mounting plate 10 to 20 mm.

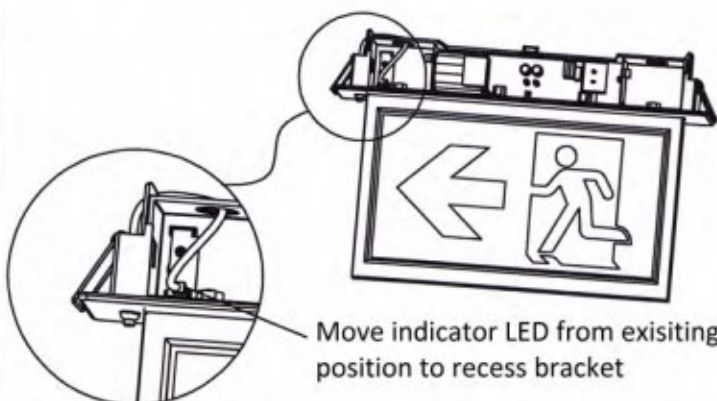


2, Remove back plate from fixture, then remove hole plug at test switch side.

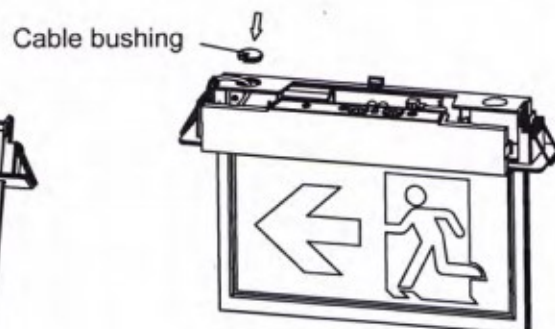


3, Assemble fixture on recessed kit, notice the direction of fixture.

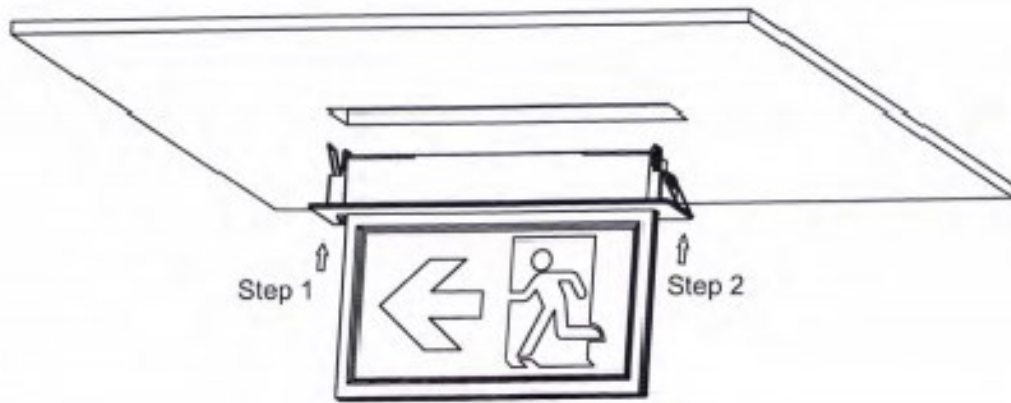
4, Remove cable bushing and push indicator LED in position provided on recess bracket



Move indicator LED from existing position to recess bracket

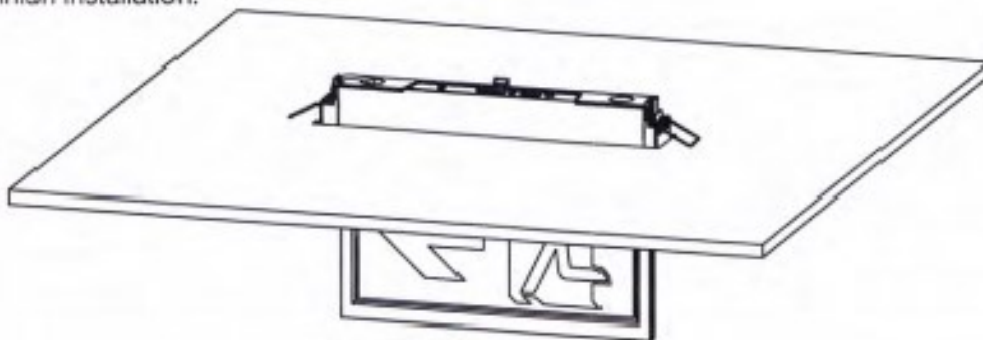


5, Assemble back plate on fixture after finish AC input wiring.



6. Rotate spring to up, press the fixture with recessed kit on mounting plate, press in one side then another.

7. Finish installation.

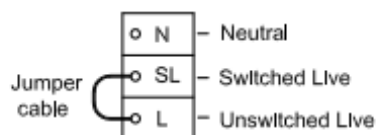


8. Instruction for dismount the fixture.

Pull out fixture from on side then another side.

Wiring Instructions

Maintained Wiring

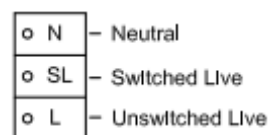


Maintained (default operation):

Connect L,N and leave jumper cable connected.

For switched maintained operation, disconnect the jumper cable and connect a switched live to 'SL' terminal.

Non-Maintained Wiring



Non-maintained:

Connect L,N and remove jumper cable.

DALI Wiring

o L	- LIVE
o L1	- SWITCH LIVE
o N	- NEUTRAL
o Da+	- DALI +
o Da-	- DALI -

GENERAL INFORMATION

1. A qualified electrician, in accordance with IEE wiring regulations, should carry out connection to mains wiring.
2. Ensure that the rated voltage and frequency requirements are compatible with the available mains supply.
3. Cleaning of reflectors and lenses should be carried out using clean, soft and lint free cloths and anti-static cleaning fluid.
4. Do not carry out high voltage insulation test, i.e. 500/1000v this may damage internal components.
5. Electrically isolate this luminaire during maintenance.
6. Replacing the light source within this luminaire shall only be carried out by the manufacturer, service agent or a similar qualified person.

Specification

Finish	White.
Materials	Polycarbonate Body
IP Rating	IP40
Weight	0.5 Kg
Ambient Operating temp	0° to 45°
Protection Class	II
Power Supply	220-240AC, 50/60 Hz

TECHNICAL SUPPORT

Tel: 0161 331 5700

e-mail: [tech-
nical@whitecroftlight.com](mailto:technical@whitecroftlight.com)

www.whitecroftlighting.com