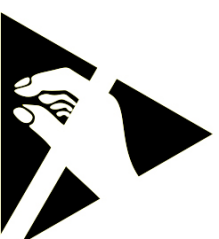


## SPECIFICATION:

Lamp type:	LED
Output:	1100lm /2000lm nominal.
Colour:	3000°K/4000°K - Ra80 (830/840)
Materials:	White Polycarbonate Reflector: Textured specular Anodised Aluminium Diffuser: Polycarbonate
Control gear:	Fixed output / Dali
Emergency:	Integral 3hr / COMEPPS
Supply:	240v 50Hz AC
Ambient Temperature:	0-25°C
Supply flex:	0.5 - 2.5mm <sup>2</sup> . 10-11mm stripped.
Terminal block type:	Push-wire (non-EM) / piano-key (EM)
Ingress protection:	IP44 (from below)



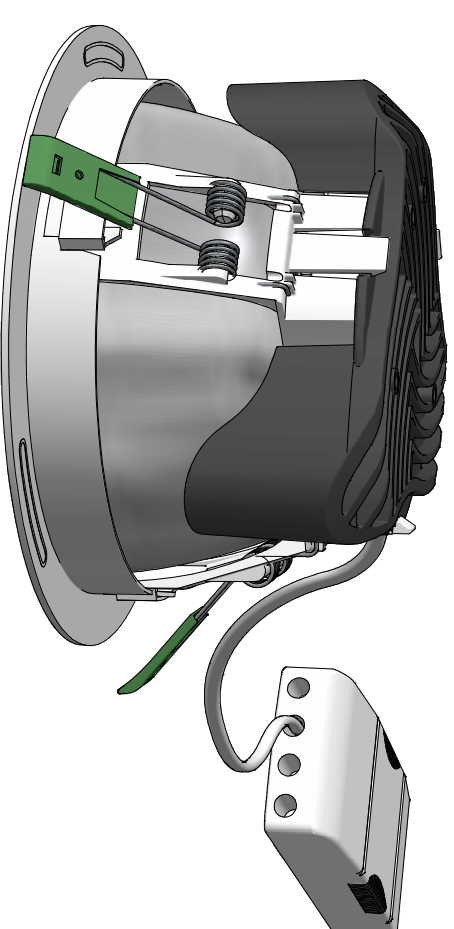
## GENERAL INFORMATION

- 1.A qualified electrician, in accordance with IEE wiring regulations should carry out connection to mains wiring.
- 2.Observe ESD precautions during installation.
- 3.This unit must be EARTHED.
- 4.Ensure that the rated voltage and frequency requirements are compatible with the available mains supply.
- 5.Cleaning of reflectors and lenses should be carried out using clean, soft and lint free cloths and anti-static cleaning fluid
- 6.Do not carry out high voltage insulation test, i.e. 500/1000v this may damage internal components.
7. Do not cover luminaire housing with thermally insulating material.
8. The light source contained in this luminaire shall only be replaced by the manufacturer or his service agent or similar qualified person.
- 9.Batteries used in emergency versions of this luminaire range are replaceable by a qualified electrician.

TECHNICAL SUPPORT  
Telephone: 0161 331 5700  
E-mail: [technical@whitecroftlight.com](mailto:technical@whitecroftlight.com)  
<http://www.whitecroftlighting.com/>

Whitecroft  
lighting

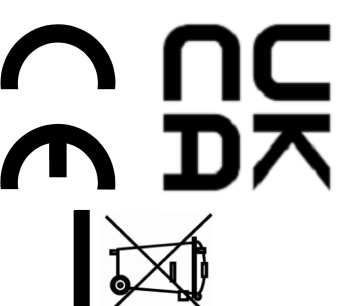
Esprit LED



Installation sheet

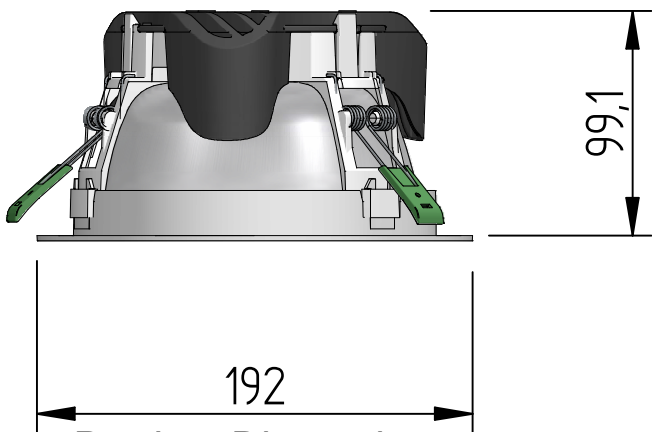
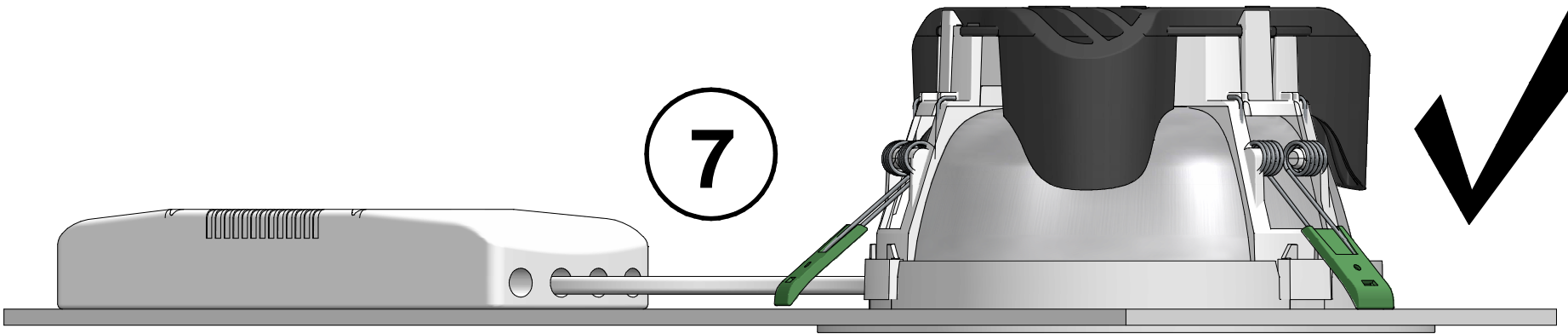
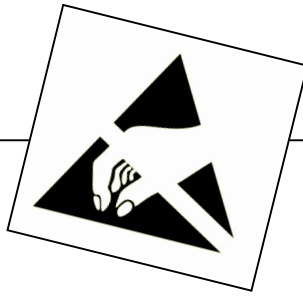
PK/ESLINSTSHT

August 2021 - Rev E

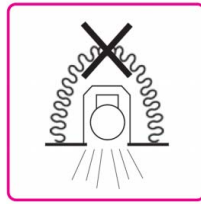


Whitecroft Lighting Limited

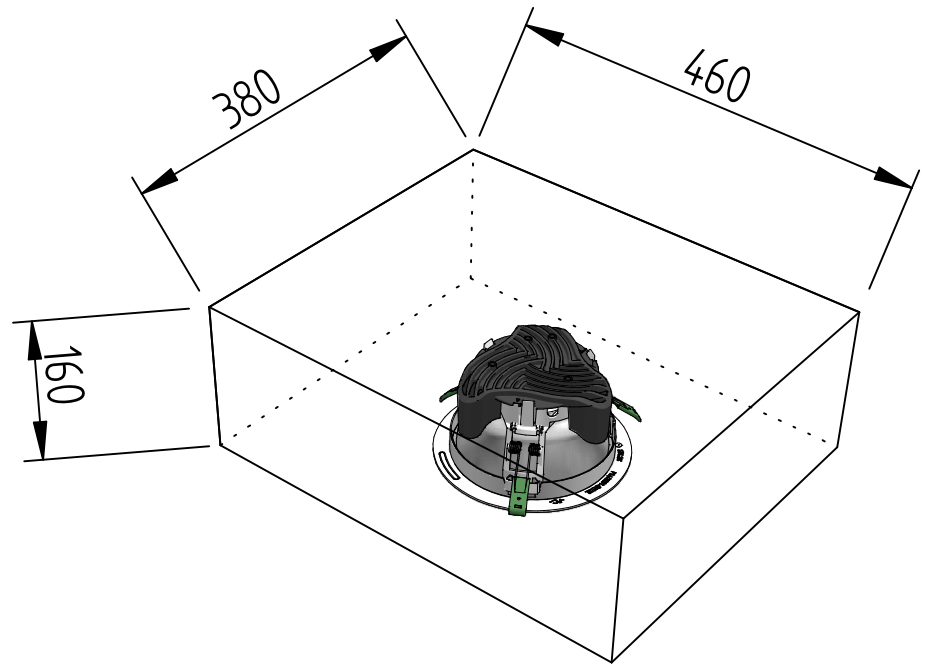
Burlington Street, Ashton-under-Lyne, Lancashire OL7 0AX  
Telephone +44 (0)870 5 087 087 Facsimile: +44 (0)870 5 084 210  
Registered No. 3848973 England Registered Office: As above



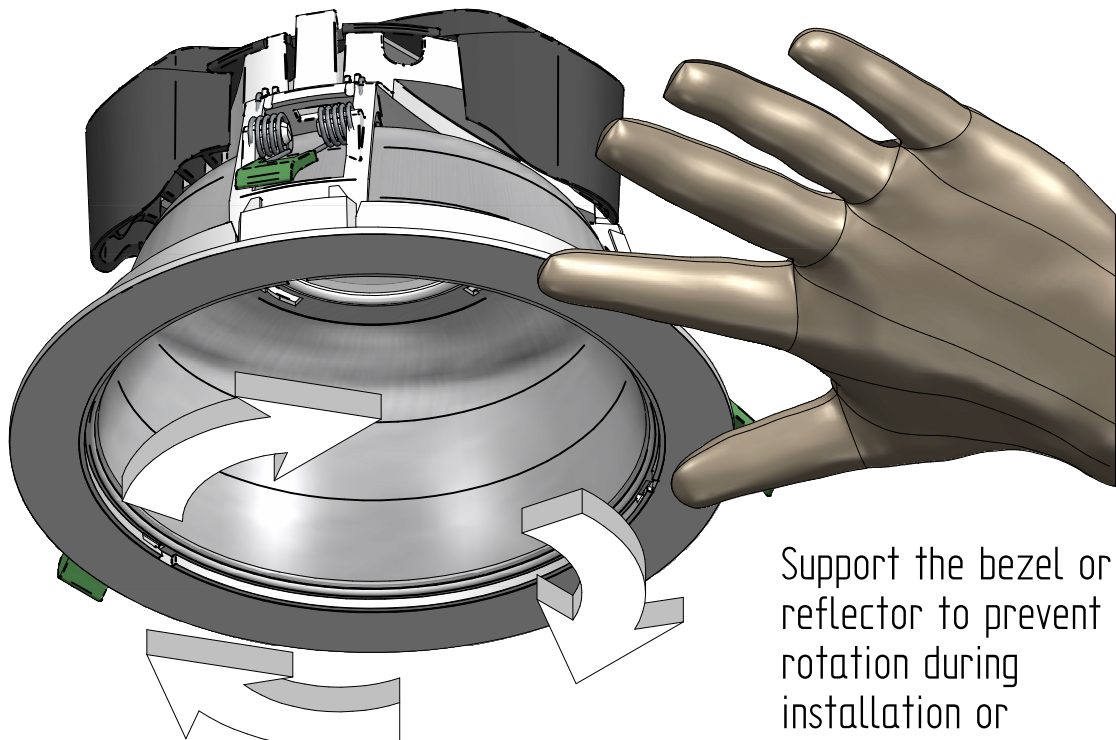
Product Dimensions  
**Accessories**



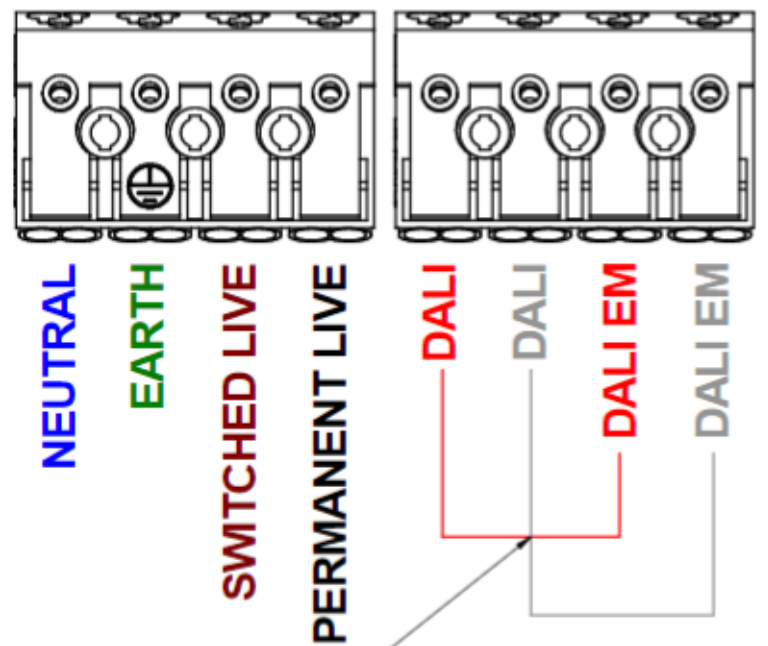
NB - Do Not cover  
luminaire housing with  
thermally insulating material



Minimum installation volume

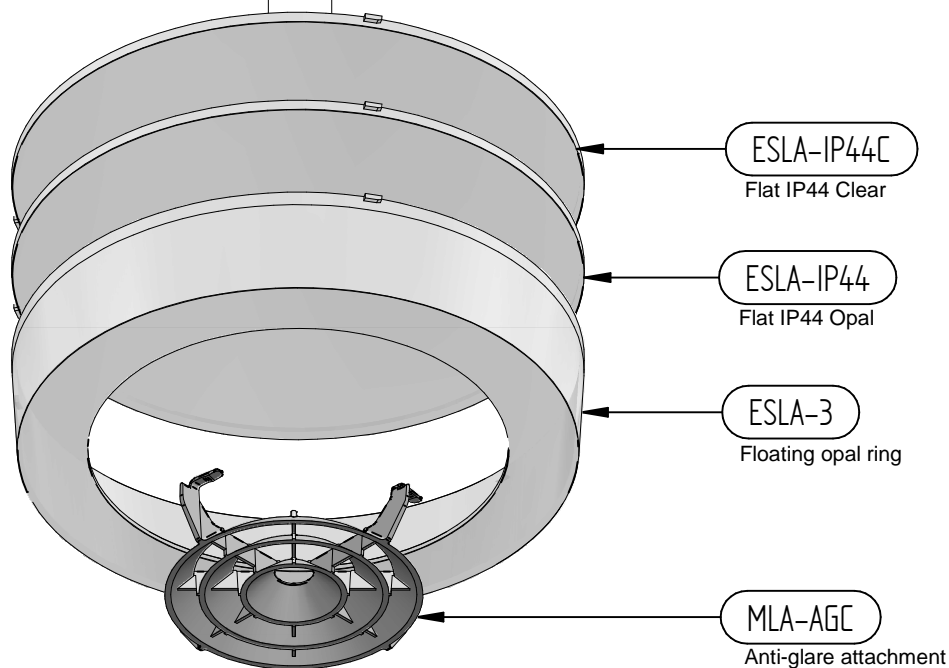


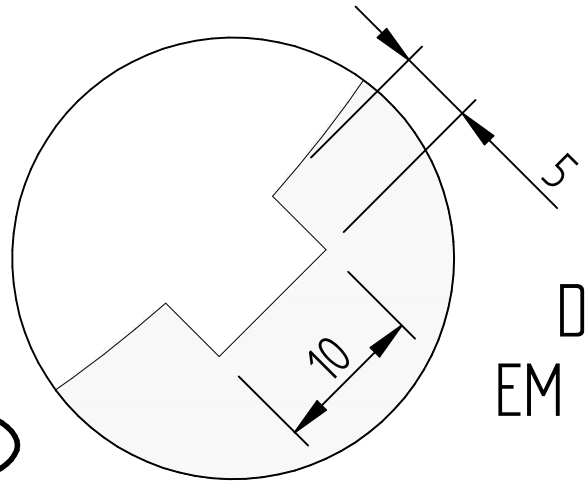
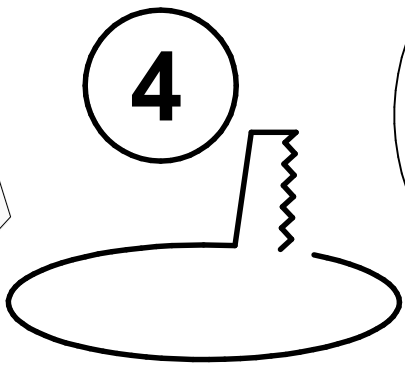
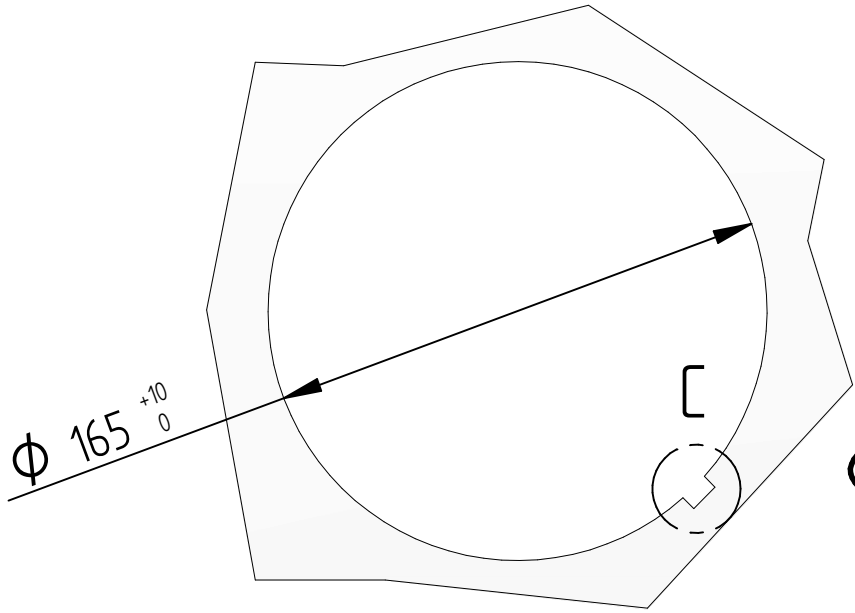
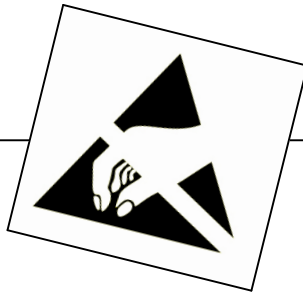
Support the bezel or reflector to prevent rotation during installation or removal of the attachments.



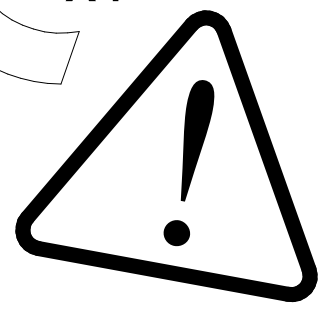
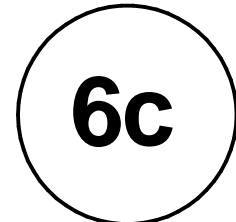
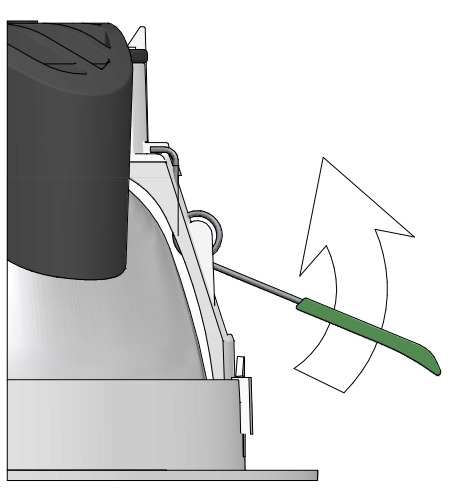
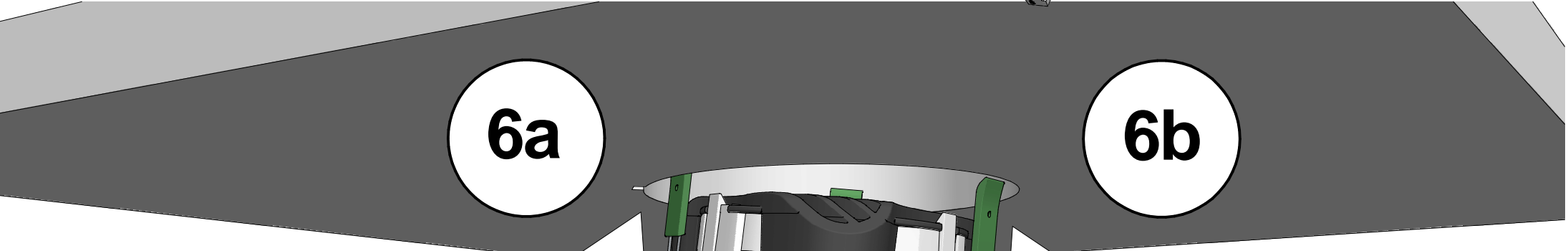
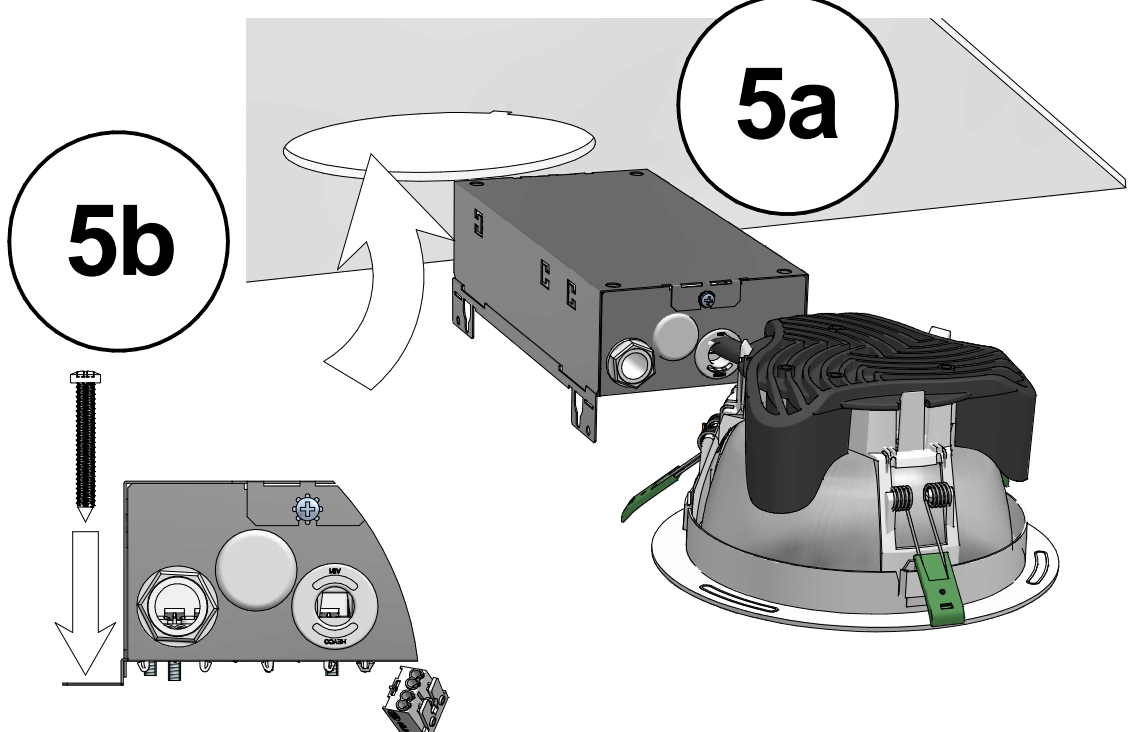
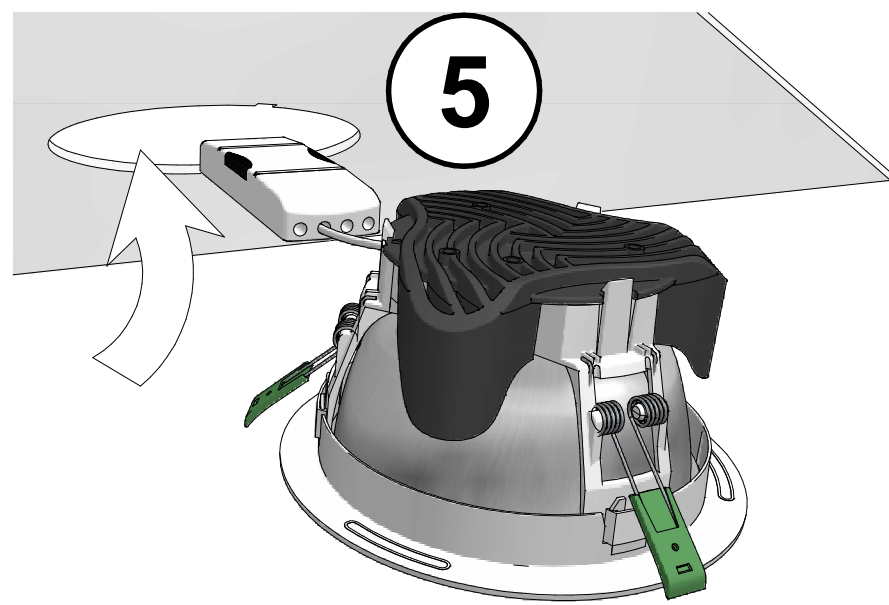
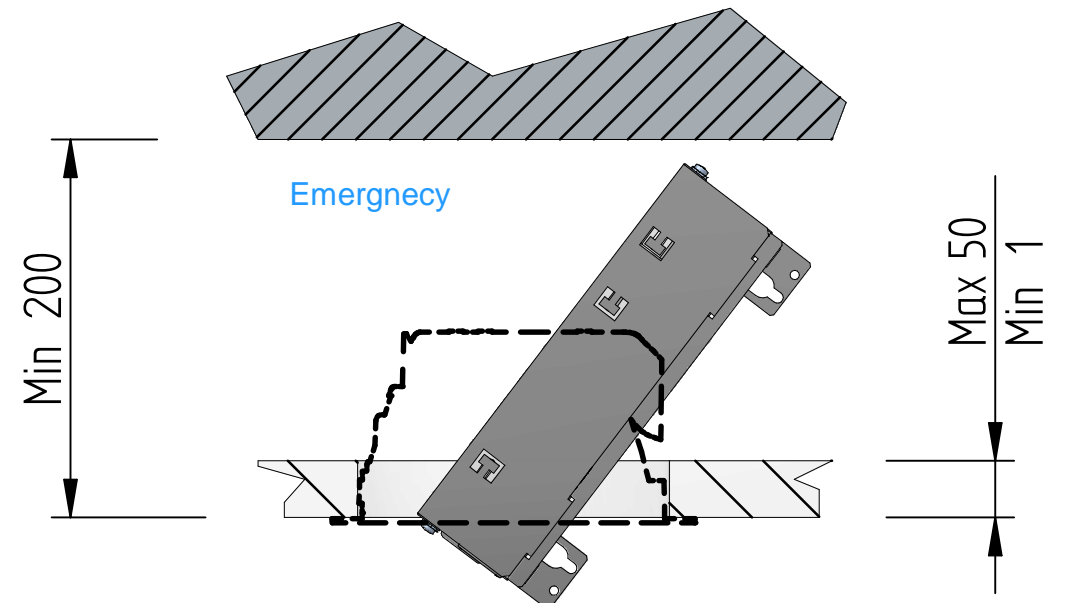
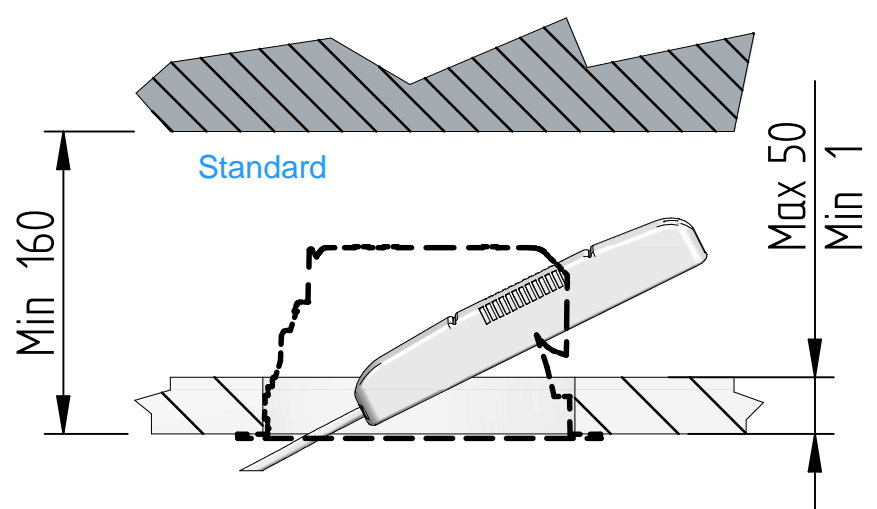
**DALI LINKS IF REQUIRED**

Bridge DALI terminals as shown if the driver and inverter share a single DALI pair. Use link wires supplied.



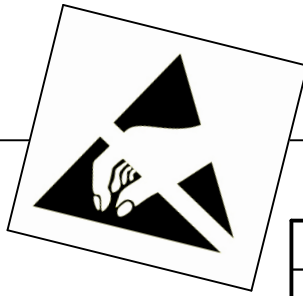


DETAIL C  
EM LED notch



# ESPRIT LED

Whitecroft Lighting Limited



Follow this side for:	3000°K		4000°K	
	1100lm	2000lm	1100lm	2000lm
Fixed output	•	•	•	•
DALI	•	•	•	•
Fixed output 3hr EM				
DALI 3hr EM				
Fixed output COMECS				
DALI COMECS				

Follow this side for:	3000°K		4000°K	
	1100lm	2000lm	1100lm	2000lm
Fixed output				
DALI				
Fixed output 3hr EM	•	•	•	•
DALI 3hr EM	•	•	•	•
Fixed output COMECS	•	•	•	•
DALI COMECS	•	•	•	•

