

Florin E3 Recessed Organic Response



High performance recessed wireless emergency luminaire



Optics

- Open Area and Escape Route 1.5W LED delivering 150 lumens
- High Level 2.3W delivering 280lms
- Open area and escape route distribution patterns
- High level option
- Polycarbonate Tp(a) rated optics
- Minimum life of 50,000 hours

Body

- Recessed white high performance LED emergency head and charge indicator with non-maintained driver, charger and battery
- Integral Organic Response Sensor Node
- 3 hour non-maintained
- Ambient temperature range of 0°C to +35°C
- Open area and Escape Route battery: Nickel Cadmium NiCd
- High Level battery: Lithium Iron Phosphate
- RAL Colour: White RAL9003
- Dedicated codes for open area and escape route versions
- Battery housing ensures a neat cut aperture hole and effective installation through fixed ceilings
- Suitable for ceiling thickness of 10-25mm with a minimum ceiling void of 175mm
- Ceiling thickness less than 10mm may require a patress (not supplied)
- Stainless steel spring clips to secure lamp head in position

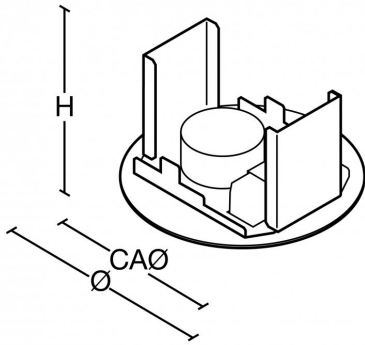
This product forms part of a building wide system which requires additional equipment to operate. Please contact Whitecroft for more information

Order codes

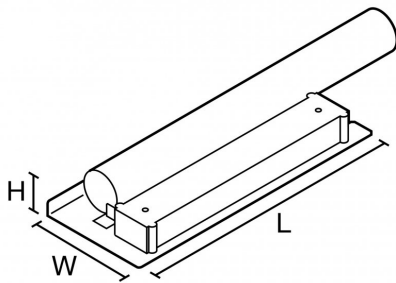
Recessed		L70B50	L80B50	L90B50
Escape Route	FLE32/RG3	>100K	>100K	55K
Open Area Distribution	FLE31/RG3	>100K	>100K	55K
High Level	FLH31/RG3	>100K	>100K	55K

This product forms part of a building wide system which requires additional equipment to operate. Please contact Whitecroft for more information

Dimensions

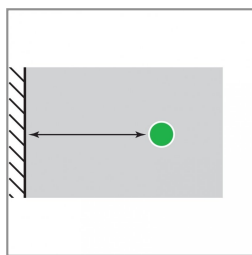


VERSION	H	Ø	CAØ	KG
Recessed Luminaire	65	125	115	1

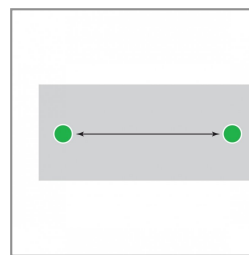


VERSION	L	W	H
Control Gear	305	90	36

Lighting Performance Guide



Open Area - Mounting Height	From Wall
2.5m	5.0m
3.0m	5.4m
3.5m	5.4m
Escape Route - Mounting Height	From Wall
2.5m	6.1m
3.0m	6.5m
3.5m	6.6m



Open Area - Mounting Heights	Between Heads
2.5m	12.0m
3.0m	13.6m
3.5m	14.8m
Escape Route - Mounting Heights	Between Heads
2.5m	15.0m
3.0m	16.3m
3.5m	17.4m

To Specify

Recessed standalone LED Florin luminaire with 3 hour duration, Nickel Cadmium batteries in open area and escape route, Lithium Iron Phosphate batteries in High Level, and dedicated addressable wireless module for integration into Organic Response emergency testing and reporting system - as Whitecroft Lighting FLORIN E3 RECESSED ORGANIC RESPONSE
