

Lister

IP65/20 recessed luminaire with sealed frame construction



Overview

Combining robust construction with optical performance, Lister is easy to clean, maintains room integrity to a high IP rating and incorporates the use of edge-lit optics with Nhex-prism diffusing technology for all round visual comfort.

Optics

- 600mm x 600mm*
 - 3300 lumens (28W)
 - 4100 lumens (35W)
- 300mm x 1200mm*
 - 3300 lumens (26W)
 - 4100 lumens (32W)
- 600mm x 1200mm*
 - 6000 lumens (49W, 51W for opal)
 - 9000 lumens (76W, 77W for opal)
- Emergency Outputs (BLF)
 - Nhex-prism 600x600mm* - 452 lumens
 - Nhex-prism 300x1200mm* - 624 lumens
 - Nhex-prism 600x1200mm* - 579 lumens
 - Opal 600x600mm* - 459 lumens
 - Opal 300x1200mm* - 624 lumens
 - Opal 600x1200mm* - 574 lumens
- TP(a) optics to limit spread of flame in the event of fire
- Choice of optics:
 - Nhex-prism optical control for glare compliant schemes to EN12464-1
 - Opal polycarbonate diffuser for non VDT, general and circulation areas
- Available with 3000K and 4000K LED

Body

- Extruded aluminium front frame with concealed fixings
- LDPE non degradable single piece gasket to protect room from void contamination
- IP65 to the front, IP20 to the rear
- Compatible with modular exposed T25, spring T and prepared aperture ceilings
- Recessing panels are recommended on spring T ceilings to retain room integrity
- Optional Lumafix brackets available as an accessory for cut aperture and alternative ceiling types
- Emergency variants supplied with Lithium Iron Phosphate (LiFePO4) battery technology; featuring extended design life reducing replacement frequency to lower total cost of ownership, and advancing sustainability through support for end of life recycling

Order codes

600 x 600

				B50		
Nhex-prism (4000K)	Fixed Output	3hr Emergency	LL/CW	L70	L80	L90
3300 lumens (28W)	L3LKH14K	L3LKH14KLEM	117	>100k	70k	52k
4100 lumens (35W)	L3LKH24K	L3LKH24KLEM	116	>100k	70k	52k

300 x 1200

				B50		
Nhex-prism (4000K)	Fixed Output	3hr Emergency	LL/CW	L70	L80	L90
3300 lumens (26W)	L3LKH34K	L3LKH34KLEM	127	>100k	70k	52k
4100 lumens (32W)	L3LKH44K	L3LKH44KLEM	127	>100k	70k	52k

600 x 1200

				B50		
Nhex-prism (4000K)	Fixed Output	3hr Emergency	LL/CW	L70	L80	L90
6000 lumens (49W)	L3LKH54K	L3LKH54KLEM	122	>100k	70k	52k
9000 lumens (76W)	L3LKH64K	L3LKH64KLEM	118	>100k	70k	52k

Options

DALI	Replace H with Y	i.e L3LKY14K
COMEPS	Add suffix LEP	i.e L3LKH14KLEP
Opal Diffuser	Replace L3LK with L3LF	i.e L3LFH14K

For 3000K colour temperature, please contact Whitecroft.

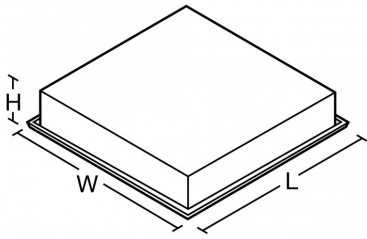
Accessories

Lister Recessing Panel for Spring T 600mm x 600mm	DRP600X600
Lister Recessing Panel for Spring T 300mm x 1200mm	DRP300X1200
Lister Recessing Panel for Spring T 600mm x 1200mm	DRP600X1200
Lumafix Bracket Kit	LUMAFIXBTKIT

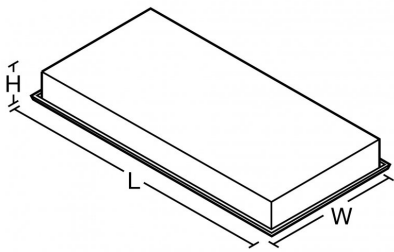
LED Performance

Colour Temp	RA (CRI)	Colour consistency
4000K	>80	MacAdam 3 SDCM

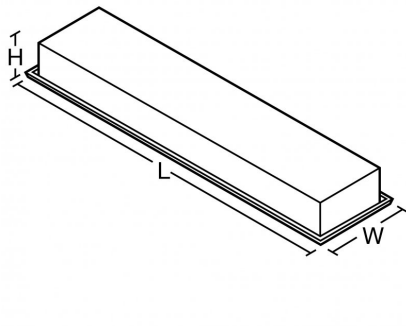
Dimensions



Size	L	W	H	KG	KG(EM)	Cut Aperture
600 x 600	598	598	112	9	9.5	563 x 563 +/-3

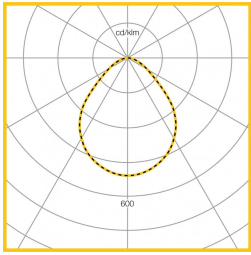


Size	L	W	H	KG	KG(EM)	Cut Aperture
600 x 1200	1198	598	112	12	13.5	563 x 1163 +/-3

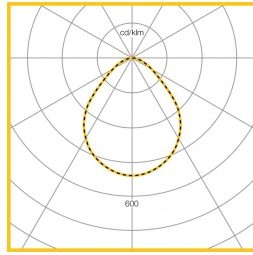


Size	L	W	H	KG	KG(EM)	Cut Aperture
300 x 1200	1197.7	297.7	112	6	6.5	263 x 1163 +/-3

Photometric Performance

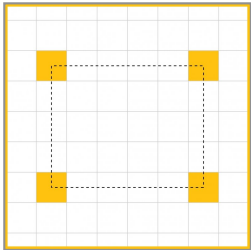


Lister 600mm x
600mm
LOR = 100%
SHR MAX = 1.52



Lister 600mm x
1200mm
LOR = 100%
SHR MAX = 1.56

Performance Guide



Lumens	4145 lumens
Layout	3.0x2.4m
Average	516 lux
Uniformity	0.89
Ceiling Height	2.70m
Working Plane	0.75m
Maintenance Factor	0.8
Reflectance	70/50/20

To Specify

Recessed LED clean room luminaire sealed to IP65 to the front, IP20 to the rear. Extruded aluminium frame with concealed front fixings and a choice of TP(a) rated optics - wipe clean Nhex-prism diffuser for all round glare control or an opal diffuser for general use areas - as Whitecroft Lighting LISTER.