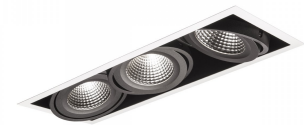


# Minion

Adjustable gimbal downlight



Double



Triple

## Optics

- Light Output Options:
  - Low output c. 1000 lumens (single)
  - High output c. 1800 lumens (single)
- Optics:
  - Flood Distribution (40° beam angle)
  - Spot Distribution (25° beam angle)
- Multi-faceted reflector for precise lighting control
- Available with 3000K and 4000K LED

## Body

- Available in single, double or triple configurations
- Circular downlight within a square/rectangular bezel
- Steel body with aluminium gimbal
- Inner housing and gimbal finished black and outer bezel finished white RAL 9016
- Rotates 360° tilts 0-45°
- Suitable for ceiling thickness of 3-35mm
- IP20
- Driver included

# Order codes

## Flood Distribution, High Output

			B50
Description	Code - Fixed Output	LL/CW	L80
Single, 1787 lumens (14.9W)	MNSNH4KFL	120	50k
Double, 3574 lumens (29.8W)	MNDBH4KFL	120	50k
Triple, 5361 lumens (44.7W)	MNTRH4KFL	120	50k

## Spot Distribution, High Output

			B50
Description	Code - Fixed Output	LL/CW	L80
Single, 1814 lumens (14.9W)	MNSNH4KSP	122	50k
Double, 3628 lumens (29.8W)	MNDBH4KSP	122	50k
Triple, 5442 lumens (44.7W)	MNTRH4KSP	122	50k

## Flood Distribution, Low Output

			B50
Description	Code - Fixed Output	LL/CW	L80
Single, 1055 lumens (8W)	MNSNH04KFL	132	50k
Double, 2110 lumens (16W)	MNDBH04KFL	132	50k
Triple, 3165 lumens (24W)	MNTRH04KFL	132	50k

## Spot Distribution, Low Output

			B50
Description	Code - Fixed Output	LL/CW	L80
Single, 1070 lumens (8W)	MNSNH04KSP	134	50k
Double, 2140 lumens (16W)	MNDBH04KSP	134	50k
Triple, 3210 lumens (24W)	MNTRH04KSP	134	50k

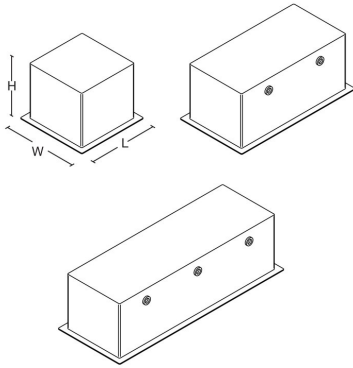
## Options

DALI DIMMING	Replace H with Y	i.e MNSNY4KFL
3000K	Replace 4K with 3K	i.e MNSNH3KFL

# LED Performance

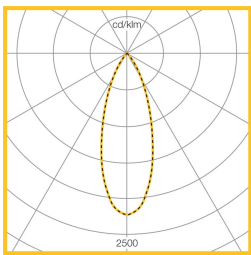
Colour Temp	RA (CRI)	Colour consistency
4000K	>80	MacAdam 3 SDCM

## Dimensions

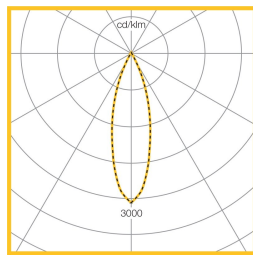


VERSION	L	W	H	KG	Cut Aperture
Single	189	189	145	1.7	180x180
Double	348	189	145	3.4	339x180
Triple	504	189	145	4.5	495x180

## Photometric Performance



4000K 1787  
 Lumens 14.9W,  
 Flood  
 LOR = 100.0%  
 SHR MAX = 0.74



4000K 1814  
 Lumens 14.9W,  
 Spot  
 LOR = 100.0%  
 SHR MAX = 0.57

## To Specify

Recessed high output LED gimbal downlight with flood or spot light distribution options. Steel body with integral LED light engine and remote driver for flexibility and rapid installation. For ceiling thicknesses of 3-35mm supplied complete with driver – as Whitecroft Lighting MINION