

# Mirage 3 C165 MRI



Recessed downlighter for use in specialist Healthcare MRI Rooms



## Optics

- Light outputs:
  - Low - 1712 lm (3000K) and 1796 lm (4000K)
  - High - 2520 lm (3000K) and 2652 lm (4000K)
- Efficacies up to 111 ll/cw
- Semi-Specular reflector
- Available with colour temperatures of 3000K and 4000K
- Ra90 colour rendering
- Medium beam distribution with lens for optimum glare control

### Lifetime Data

Version	L70B50	L80B50	L90B50
16.1W	>100K	>100K	65K
25.3W	>100K	>100K	65K

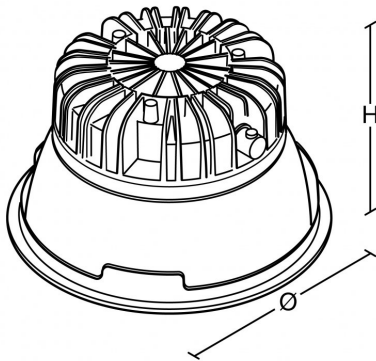
## Body

- IP44 as standard
- Precision injection moulded semi-specular reflector
- Slim 11mm bezel finished in white, closest RAL colour 9003
- Graphite embedded heatsink
- Suitable for ceilings 5-50mm thick
- 1-10V analogue drivers suitable for MRI applications to be ordered separately
- Recommended maximum/minimum number of luminaires per driver (minimum where being dimmed):

Driver	Maximum 16.1W	Maximum 25.3W	Minimum 16.1W	Minimum 25.3W
M5D100W	6	3	2	1
M5D185W	10	6	3	2
M5D320W	18	10	4	3

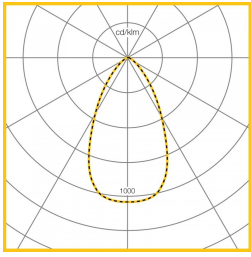
- Recommended maximum circuit lengths:
  - 30m using 100W driver with 1.5mm<sup>2</sup> cable
  - 20m using 185W driver with 1.5mm<sup>2</sup> cable
  - 12m using 320W driver with 1.5mm<sup>2</sup> cable
  - 18m using 320W driver with 2.5mm<sup>2</sup> cable
  - Note, there is no maximum distance from the driver to the first luminaire however must be in compliance with the above criteria.

## Dimensions



VERSION	Ø	H	KG	KG(EM)	CAØ Cut Aperture
C165 MRI	173	104	1.0	2.0	165

# Photometric Performance



Medium beam  
LOR = 100%  
SHR MAX = 1.11

---

## To Specify

Recessed downlighter with a common appearance across the product family. Narrow 11mm width bezel and shallow depth body. Graphite heat sink for optimum thermal management and superior optics designed for maximum visual comfort. Simple spring ceiling retention method to suit ceiling thicknesses between 5-30mm. Supplied with connected remote driver. Large Round body, 165mm diameter cut out, 173mm over bezel. MRI version for specialist applications such as Healthcare MRI Rooms requiring no ferrous metals or internal electronics - as Whitecroft MIRAGE 3 C165 MRI

---