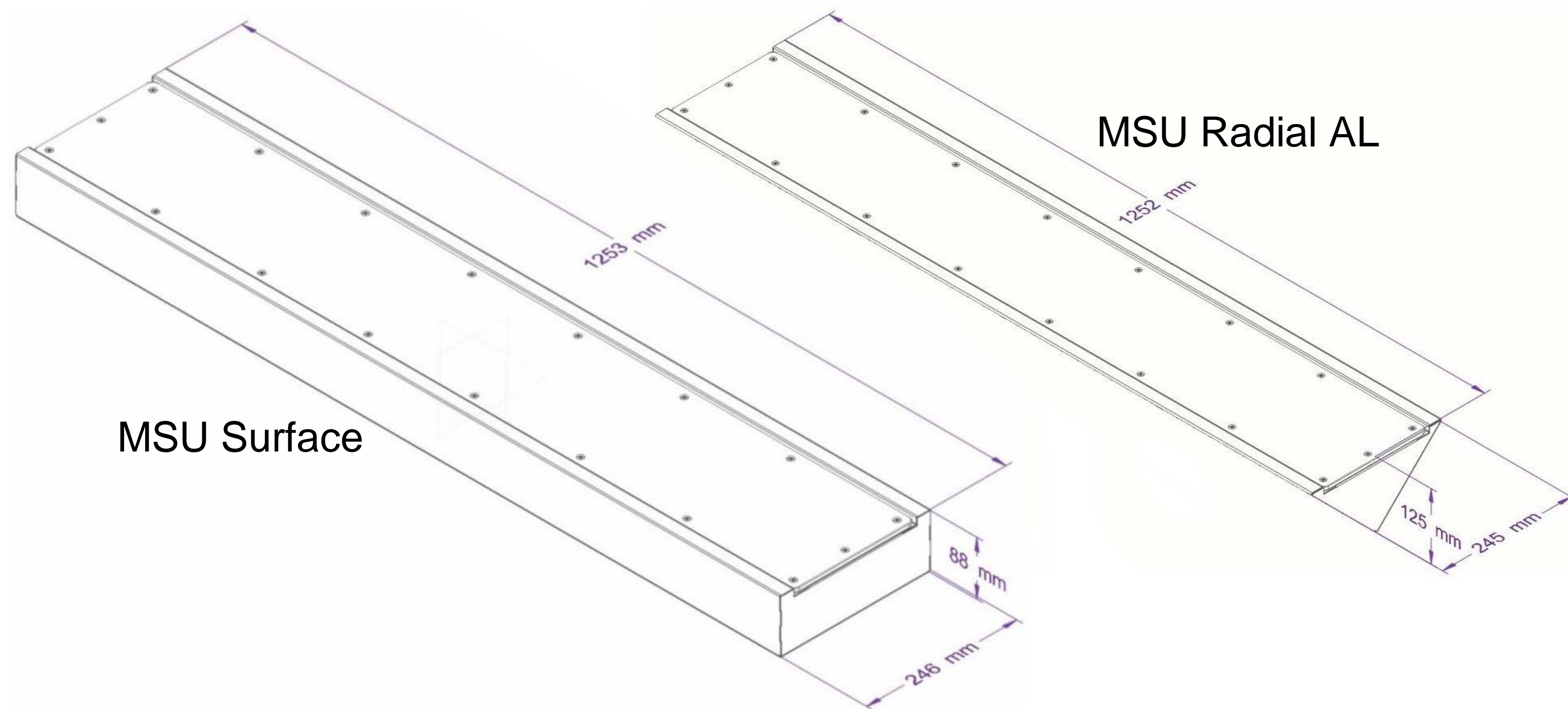


## SPECIFICATION

Lamp type	LED
Finish	RAL 9003(White)
Materials	Polycarbonate / Mild Steel
Weight	Standard Fitting = Radial 11.5kg    Surface 10.8kg Emin Fitting = Radial 11.8kg    Surface 11.1kg
Supply	220-240V AC, 50/60Hz
Output	2200lm / 3400lm
Operating temp	0-30C°
Connection	1.5mm <sup>2</sup> input terminal block
Ingress protection	IP54

## DIMENSIONS



## GENERAL INFORMATION

- 1) A qualified electrician, in accordance with IEE wiring regulations should carry out connection to mains wiring.
- 2) Observe ESD precautions during installation.
- 3) Ensure that the rated voltage and frequency requirements are compatible with the available mains supply.
- 4) Cleaning of reflectors and lenses should be carried out using clean, soft and lint free cloths and anti-static cleaning fluid
- 5) Do not carry out high voltage insulation test, i.e. 500/1000v this may damage internal components.
- 6) The light source within the luminaire shall only be replaced by the manufacturer, or similar qualified person.
- 7) Batteries must be replaced by a qualified electrician when they do not meet the rated duration.

### TECHNICAL SUPPORT

Telephone: 0161 330 6811  
Email: [technical@whitecroftlight.com](mailto:technical@whitecroftlight.com)  
<http://whitecroftlighting.com/>

Whitecroft  
lighting

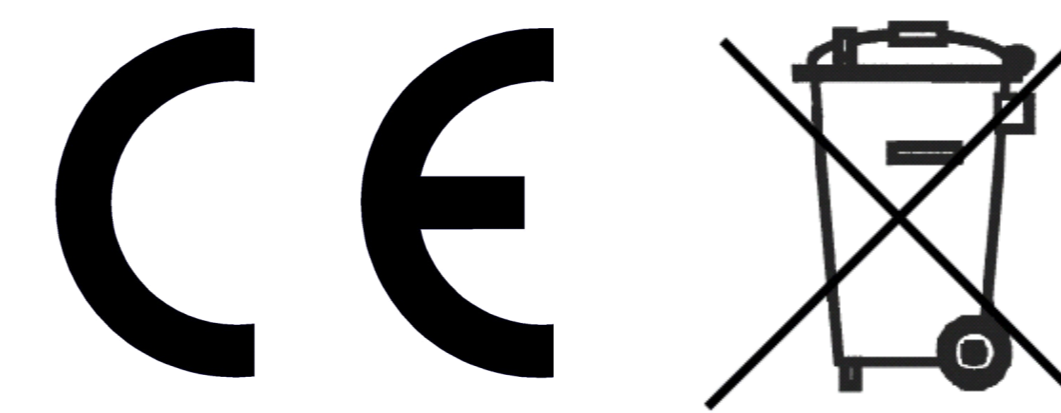
# MSU Surface and Radial AL



## Installation Instruction

PK-NPD158-IL

December 2021 - Rev 1



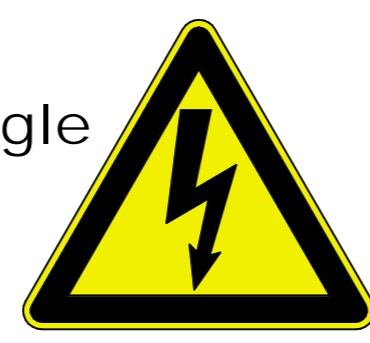
## Whitecroft Lighting Limited

Burlington Street, Ashton-under-Lyne, Lancashire OL7 0AX  
Telephone +44 (0)161 330 6811    Facsimile: +44 (0)161 331 5855  
Registered No. 3848973 England    Registered Office: As above



# MSU Surface / Radial AL

High Voltage LED's



Electrostatic Sensitive Device



## PRODUCT INFORMATION

Whitecroft Lighting Limited

MSU Surface is a ceiling mount luminaire.

Radial AL is a corner mount luminaire.

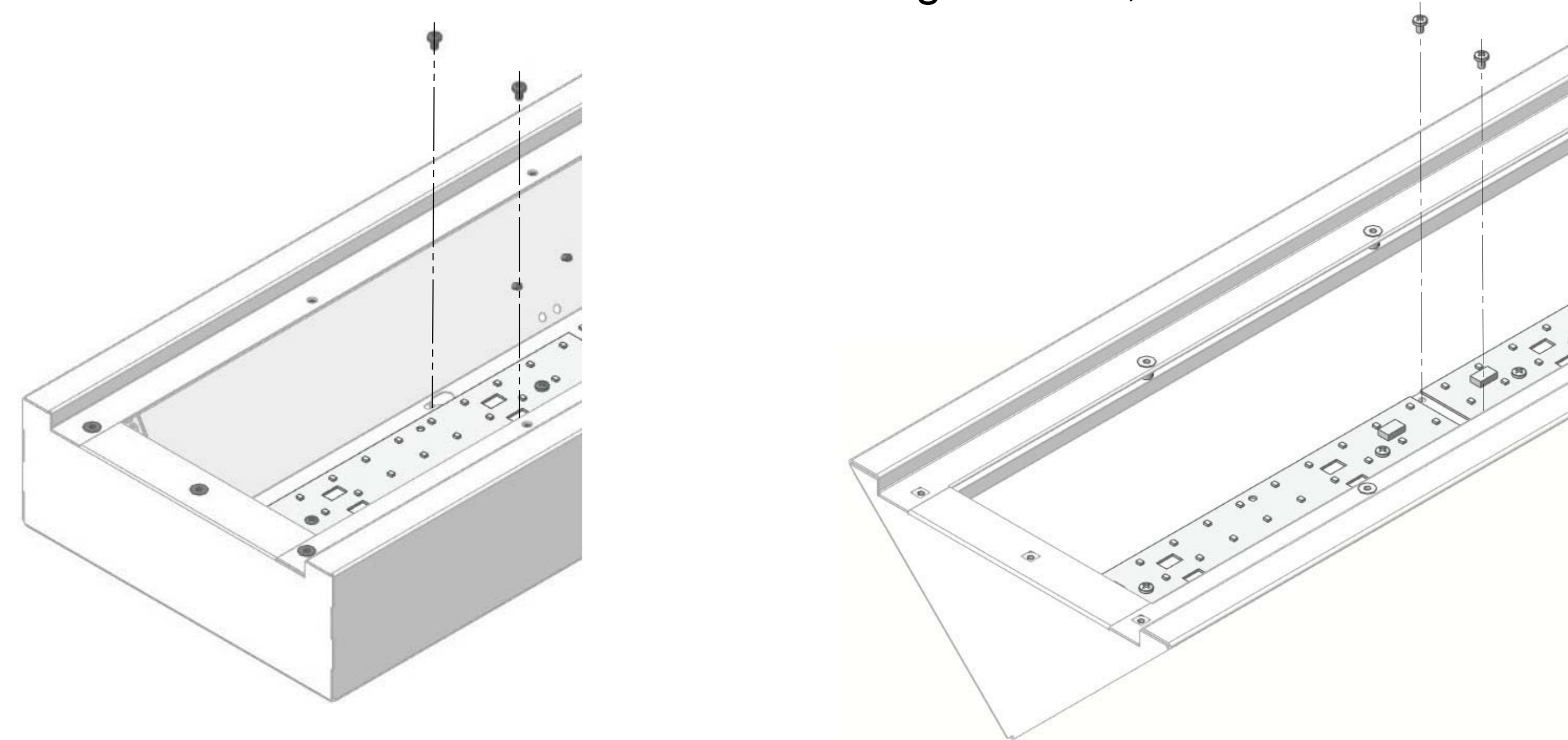
Available with DALI gear, intergral 3hr maintained emergency and COMEPS inverters EW.

## INSTALLATION INSTRUCTION

### REMOVE ALL PACKAGING AND ENSURE THERE IS NO DAMAGE TO THE LUMINAIRE

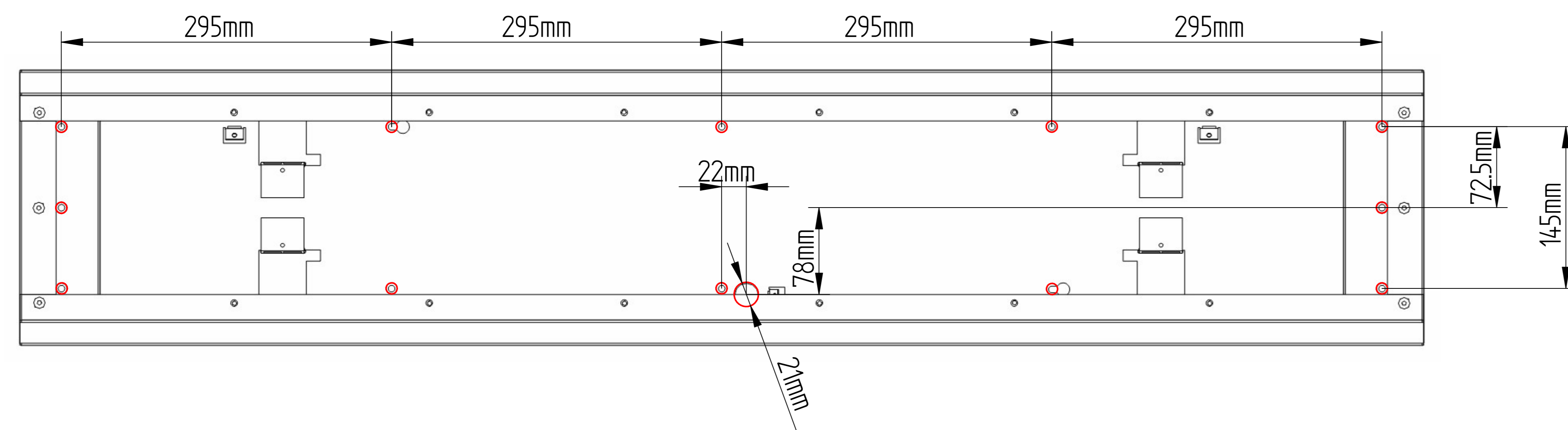
1. Remove the 4 security screws from the diffuser using the HALKEY3 and remove the 6mm P/C screen, Lumieo Diff and end spacers then place to one side.

2. Remove the 4 screws holding the reflector in place and lift and tilt out of the luminaire body. Remove the earth lead from the Reflector. Avoid damage to LED,s.

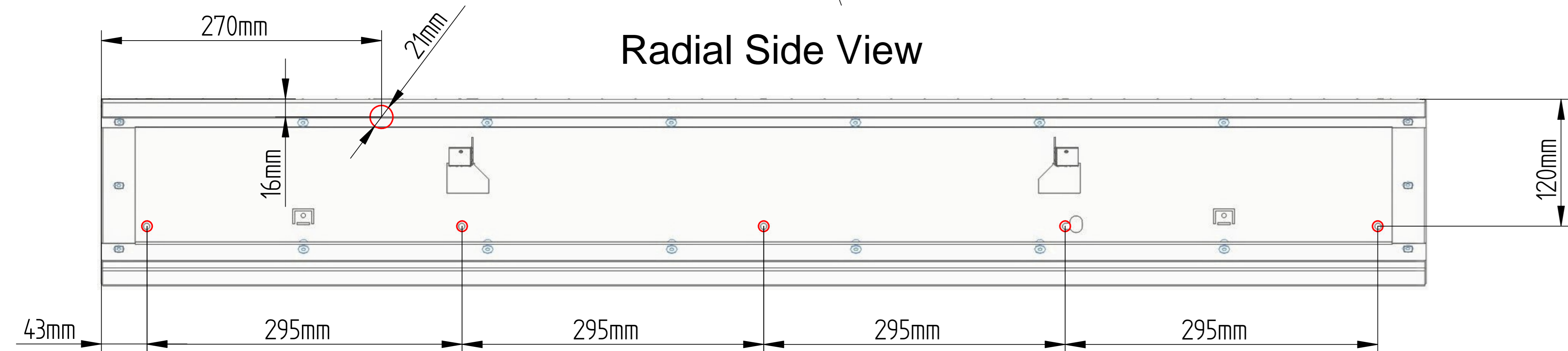


3. Using the body as a template hold the body in position and mark up the 10 (Cornice) 12 (Surface) mounting holes and the cable entry hole. Shown in red.

Surface Front View

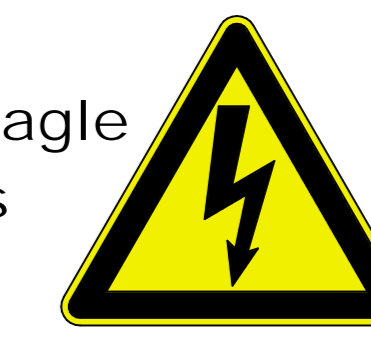


Radial Side View



# MSU Surface / Radial AL

High Voltage LED's



Electrostatic Sensitive Device



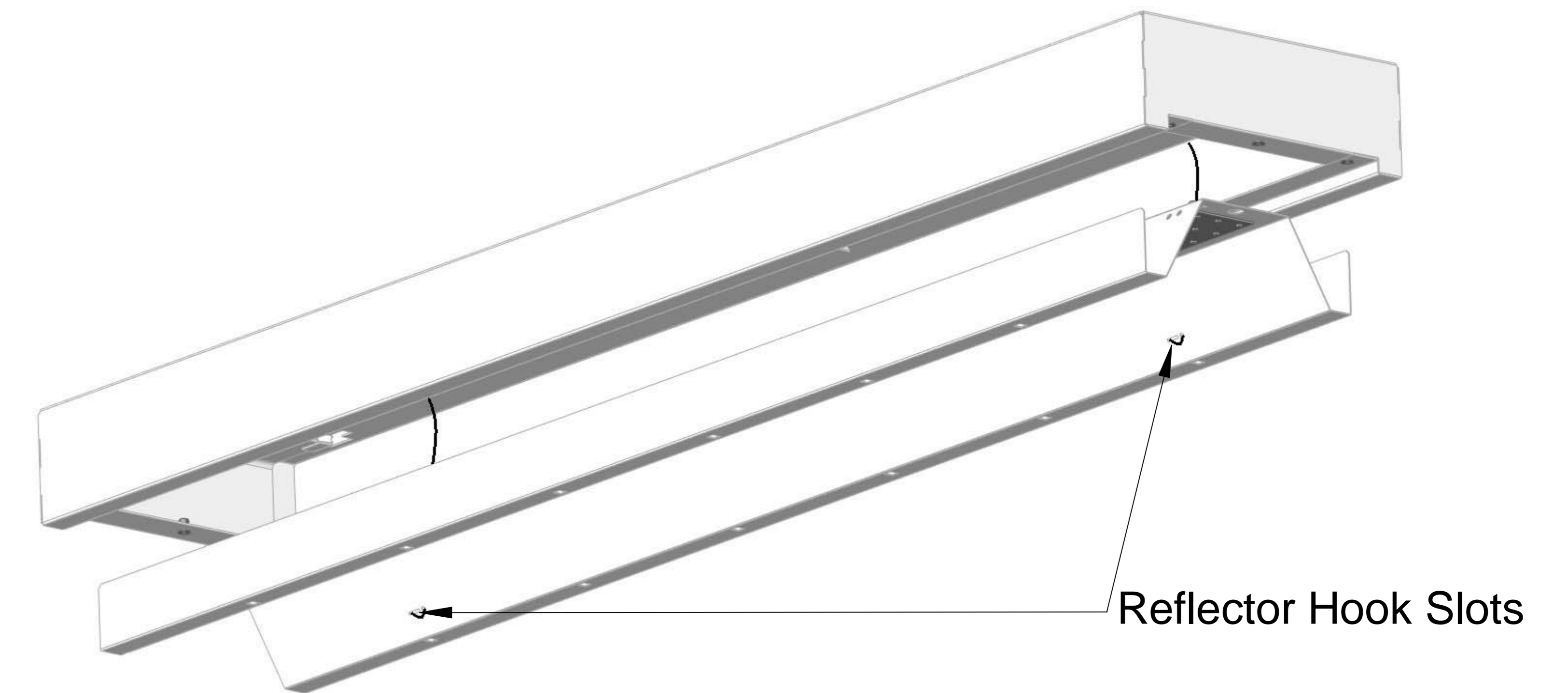
Whitecroft Lighting Limited

4. Once the fixing method is in place fix the 2 screws that correspond to the keyhole slots in position and drop the mains cable through the ceiling/wall cable hole. Screws supplied by others. This is a two man installation. Install on flat surface.

5. Lift the body into position, thread the mains cable through the mains entry on the body and lift and slide the body onto the screws through the keyhole slots.

6. Tighten the 2 key hole slot screws and fix the other 8 screws (Cornice) 10 screws (Surface) in place.

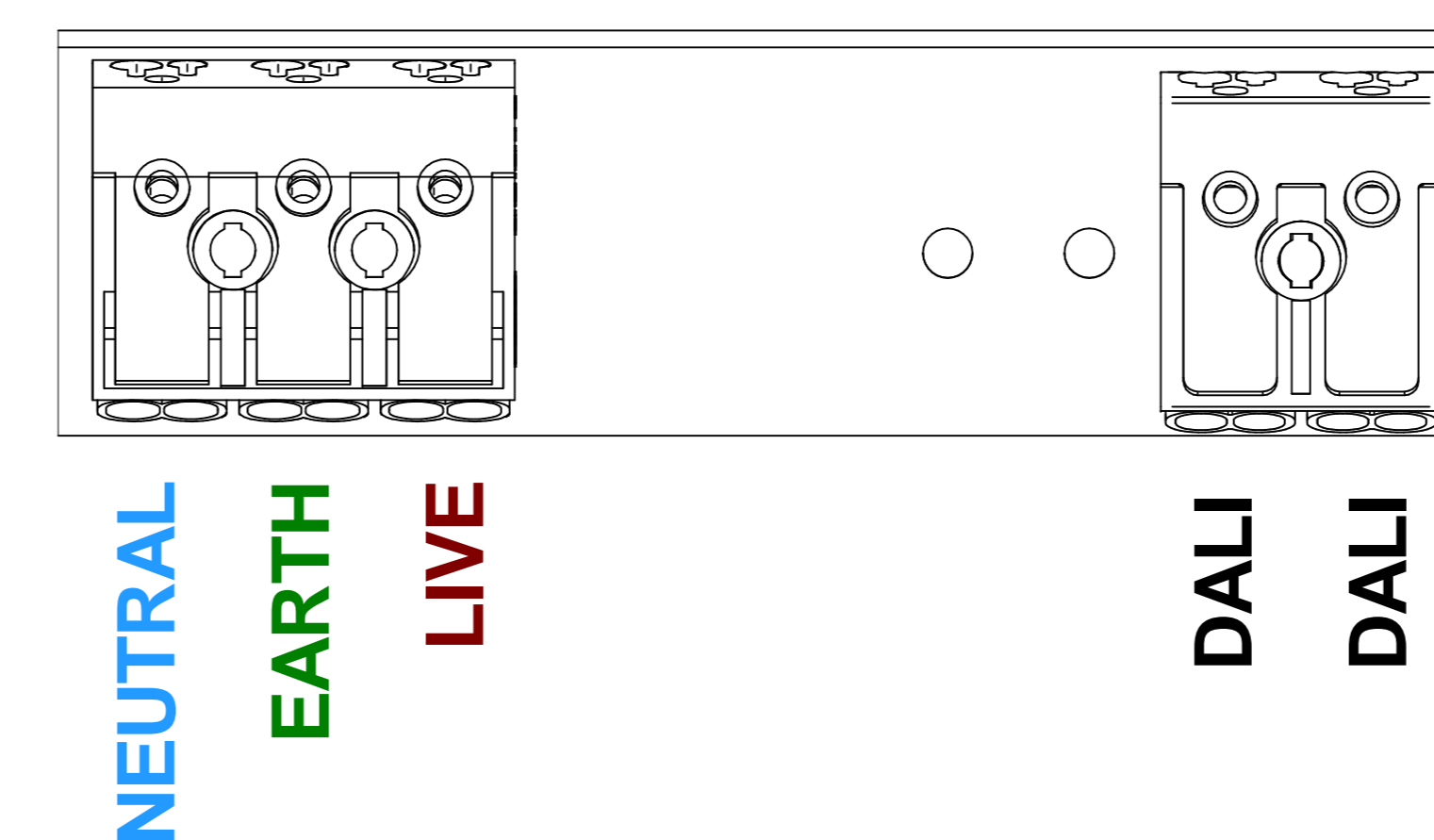
7. Attach the earth lead and lift the reflector to the body and fix the Reflector hooks into the slots on the side of the reflector.



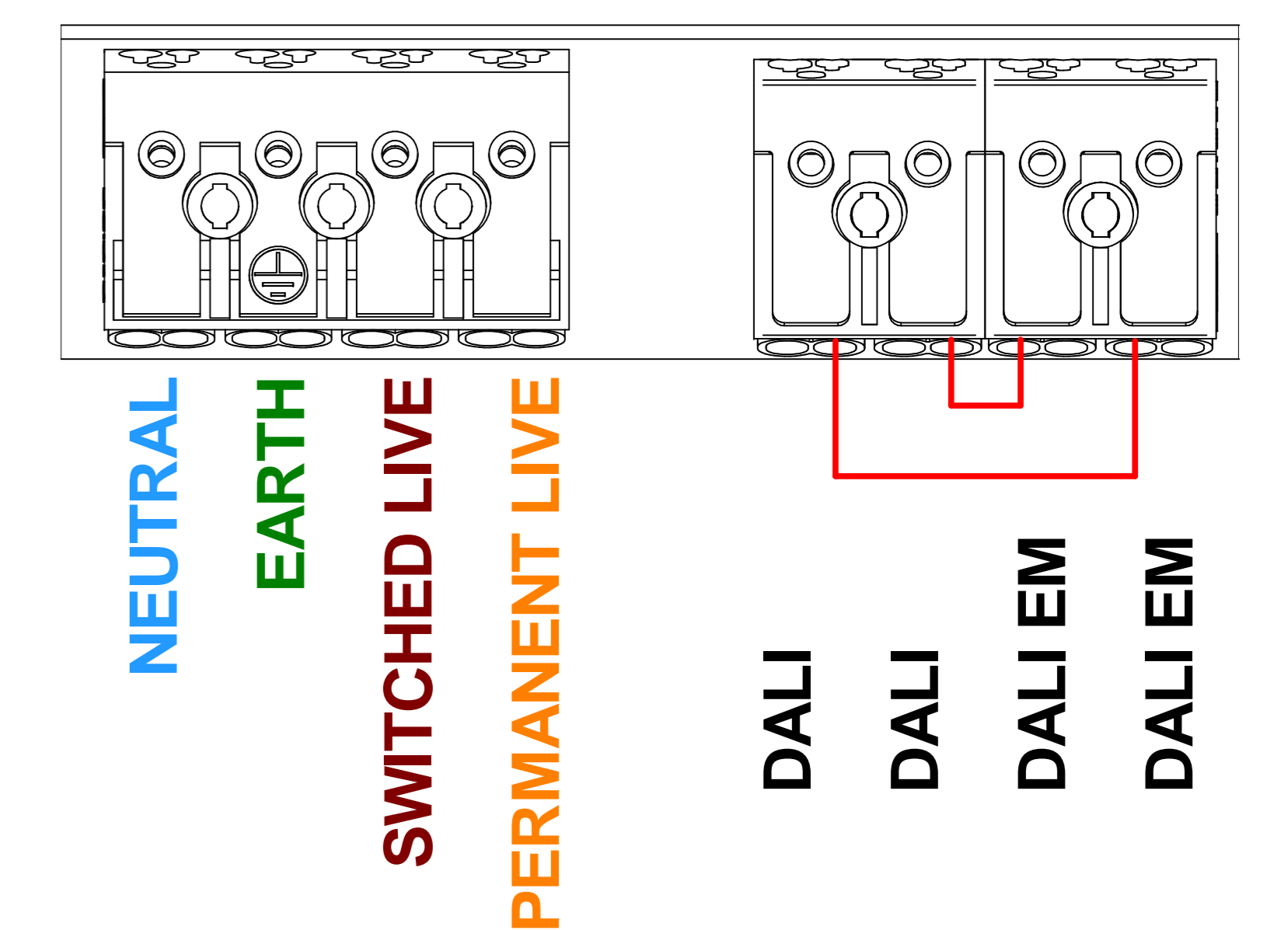
8. Let the reflector hang and wire up the mains cable to the terminal blocks as below.

9. Cut back the sheath on the cable to 70mm.

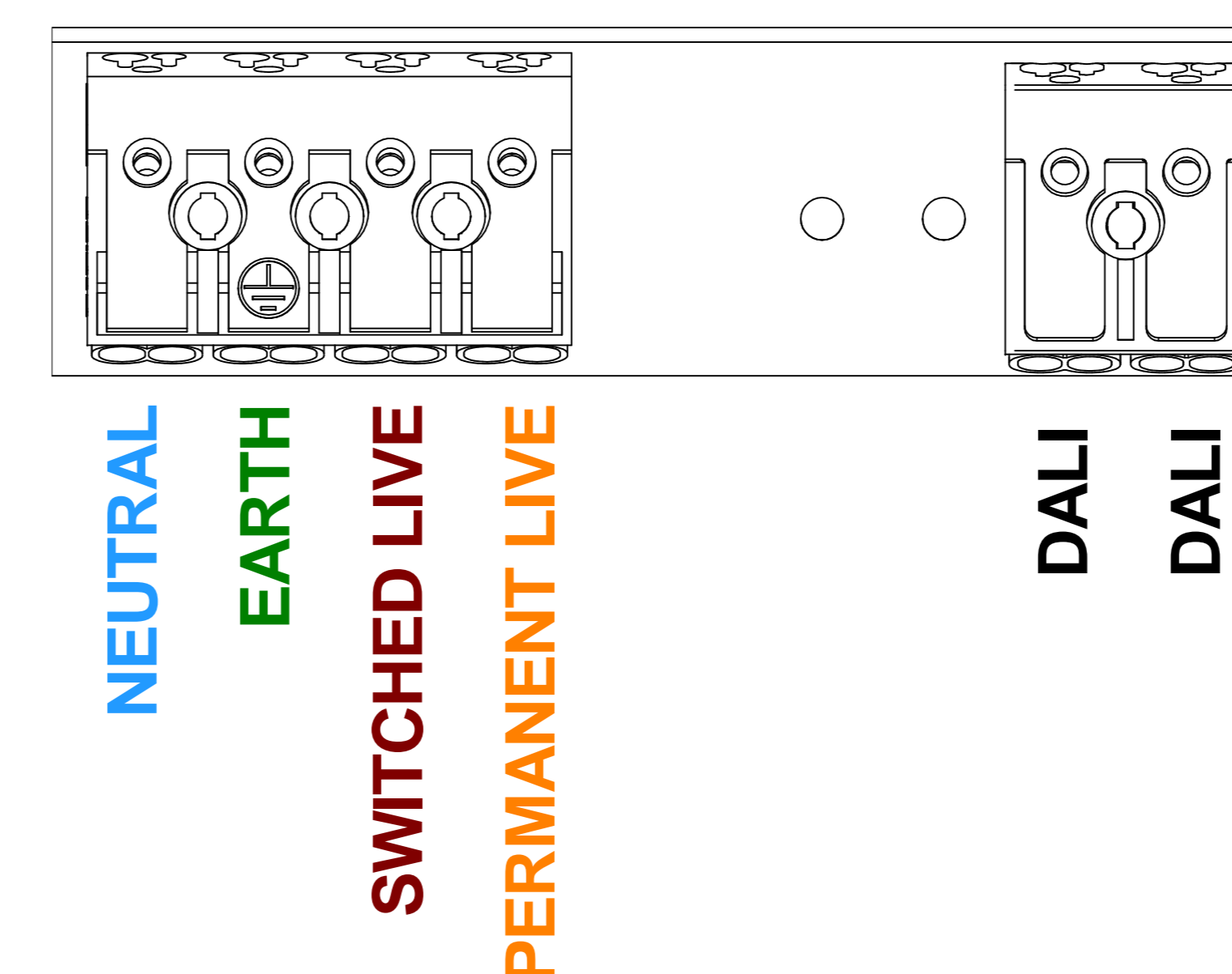
### NON-EMERGENCY VERSION-



### EMERGENCY VERSION COMEPS-



### EMERGENCY VERSION AND ROUTE FINDER WIRELESS-

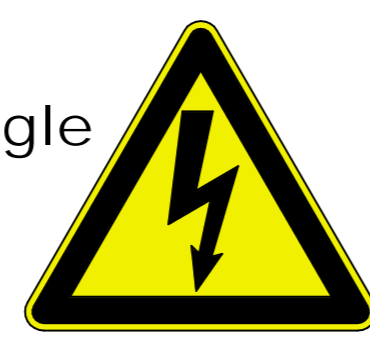


ADDITIONALWIRING FOR COMEPS OPTIONS  
Wire DALI coms for self test system to 'DALI EM' (these are polarity free).  
If 'Easytest' self- test is required ignore these connections



# MSU Surface / Radial AL

High Voltage  
LED's



Electrostatic  
Sensitive Device



Whitecroft Lighting Limited

## PLEASE NOTE

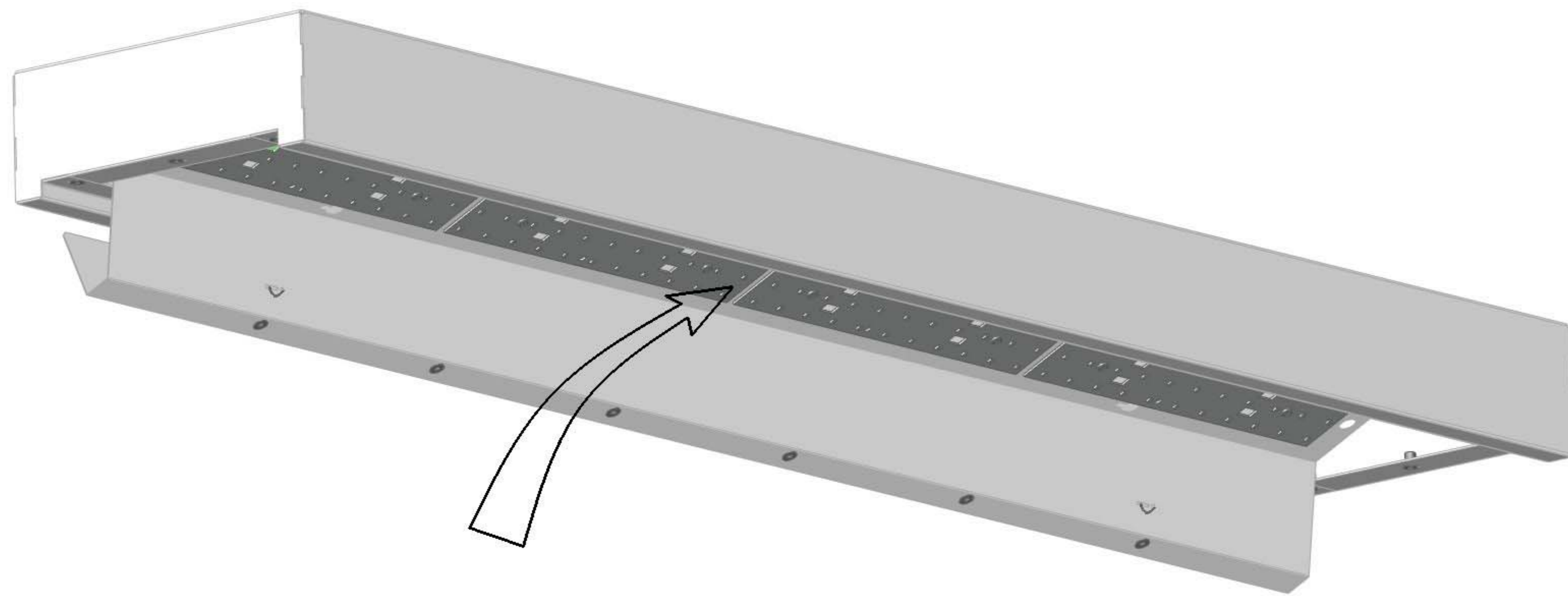
If the luminaire is controlled via DALI, then choose one of the options below:

Option 1. If using a fully addressable system i.e. only a single DALI pair is supplied to the fitting then the DALI & DALI EM terminals need to be linked as shown in the images above.

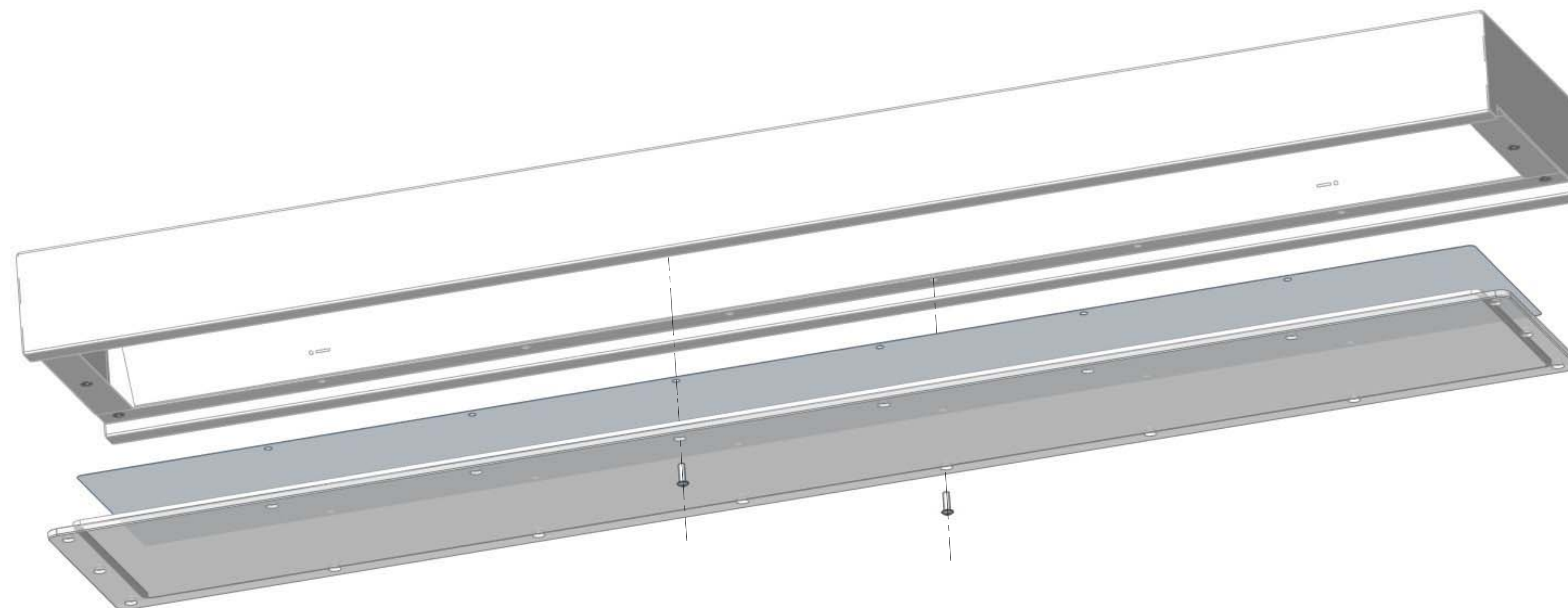
Option 2. If using a DALI broadcast system i.e. DALI control for the fitting and a separate DALI EM coms for self test interrogation, **DO NOT ATTACH THE LINK CONNECTIONS.**

10. For Emergency versions connect the battery to the inverter.

11. Lift and slide the reflector into position in the body and secure with the 4 reflector screws.

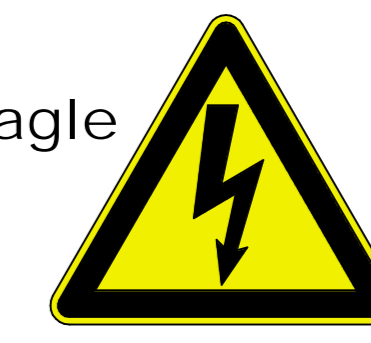


12. Hold the 6mm P/C screen countersunk side down with the lumieo held matt down in place with 2 screws, lift up to the body and fit the screws in place with the HALKEY3.

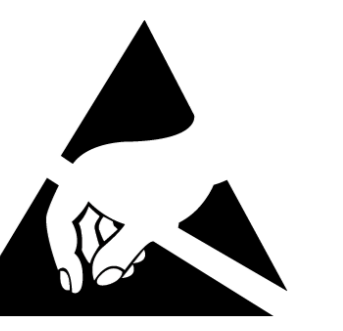


# MSU Surface / Radial AL

High Voltage  
LED's

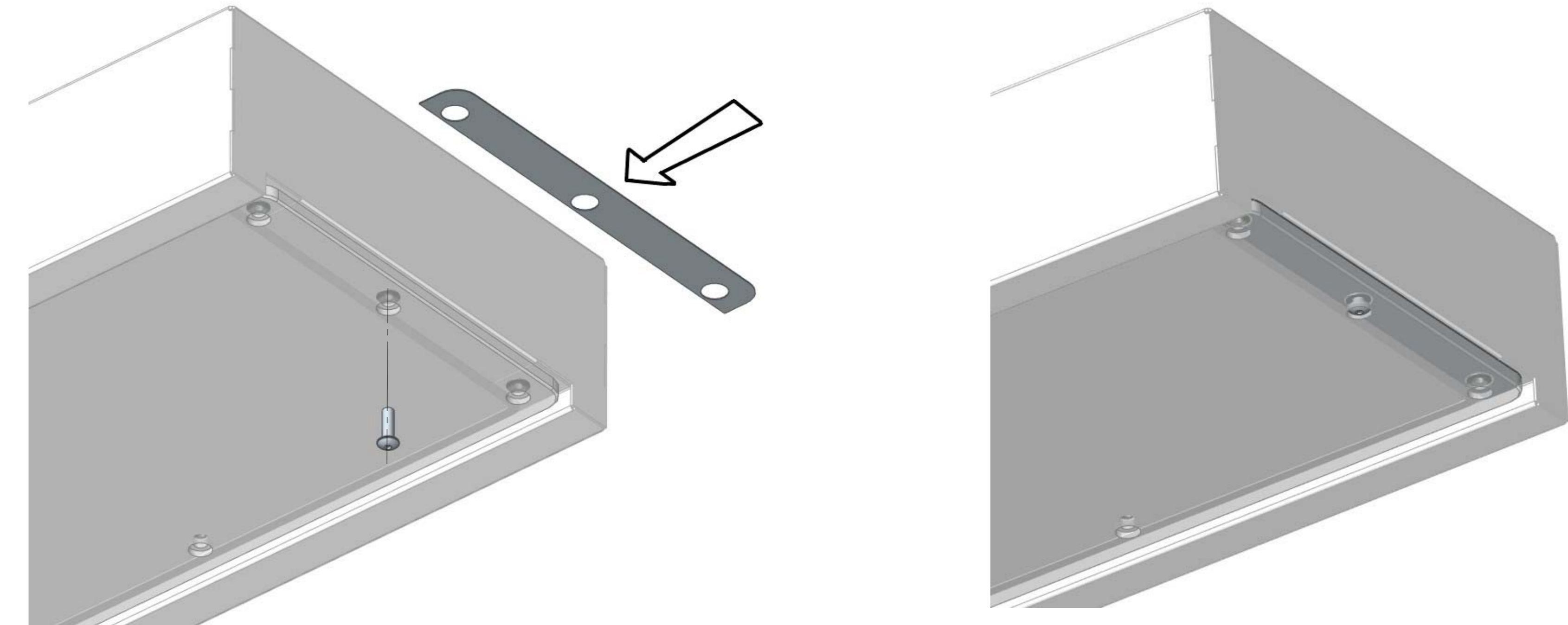


Electrostatic  
Sensitive Device



Whitecroft Lighting Limited

13. Slide in the two End Spacers into position under the 6mm P/C and fix in place with the centre screw.



14. Replace all the other 14 screws. Torque to 1.2Nm. The anti-tamper screws require a special allen key (3mm with centre hole) or bit (sold separately - HAL-KEY3) ensure screws are sufficiently tightened.

15. Remove film on the outside of the 6mm Screen.

16. Use a suitable anti pick mastik around the base to obtain IP54 rating on luminaire.