

Oculus

Architectural feature pendant LED luminaire



Uplight

Overview

A powerful statement of both minimal design and maximum performance. Free from the form factor constraints of conventional source technology Oculus has a stunning profile that helps deliver the desired ambience without intruding into the space.

Optics

- Opal micro polymer diffuser
- Low output
 - 2500 lumens, 550mm dia. (18W)
 - 6000 lumens, 750mm dia. (41W)
 - 10,100 lumens, 1000mm dia. (68W)
- High output
 - 3400 lumens, 550mm dia. (24W)
 - 8400 lumens, 750mm dia. (58W)
 - 15,200 lumens, 1000mm dia. (103W)
- All diameters of luminaires have a common surface brightness micro polymer
- Integrated up light offered as standard
- Choice of 3000K 'warm' or 4000K 'cool' white colour temperature
- Emergency Output (BLF):
 - 550mm - 561 Lumens
 - 750mm - 548 Lumens
 - 1000mm - 596 Lumens

Body

- Low profile spun aluminium body with chamfered edge detail for a thin appearance
- 3 into 1 point suspension kit supplied separately (3, 5 or 7 meters)
- Optional integral wireless Air Control, a simple, easy to commission lighting control solution (requires remote detector)
- Available with 3 hour integral emergency and COMEPS (incorporated within the luminaire)
- Emergency variants supplied with Lithium Iron Phosphate (LiFePO4) battery technology; featuring extended design life reducing replacement frequency to lower total cost of ownership, and advancing sustainability through support for end of life recycling
- RAL Colour: Silver RAL9006. White RAL9003
- DALI as standard
- Three versions: 550mm, 750mm or 1000mm diameter

Order codes

Micro polymer diffuser Low output, White

				B50		
Micro polymer diffuser Low output, White	DALI	3hr Emergency	LL/CW	L70	L80	L90
550mm Ø, 2500 lumens (18W)	OMSY14KW	OMSY14KWLEM	138	>100k	>100k	>100k
750mm Ø, 6000 lumens (41W)	OMMY54KW	OMMY54KWLEM	147	>100k	>100k	>100k
1000mm Ø, 10,100 lumens (68W)	OMLY74KW	OMLY74KWLEM	148	>100k	>100k	>100k

High output, White

				B50		
High output, White	DALI	3hr Emergency	LL/CW	L70	L80	L90
550mm Ø, 3400 lumens (24W)	OMSY24KW	OMSY24KWLEM	141	>100k	>100k	>100k
750mm Ø, 8400 lumens (58W)	OMMY64KW	OMMY64KWLEM	145	>100k	>100k	>100k
1000mm Ø, 15,200 lumens (104W)	OMLY84KW	OMLY84KWLEM	146	>100k	>100k	>100k

Accessories

3M suspension kit	OMSUSKIT3M-M13
5M suspension kit	OMSUSKIT5M-M13
7M suspension kit	OMSUSKIT7M-M13

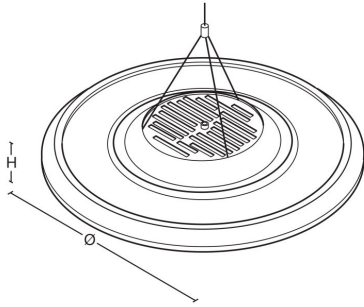
Options

COMEPS	Add suffix EP	i.e OMSY14KWEP
SILVER	Replace W with S	i.e OMSY14KS
AIR CONTROL	Add AC before Y	i.e. OMSACY14KW
3000K	Replace 4K with 3K	i.e. OMSY13KW

LED Performance

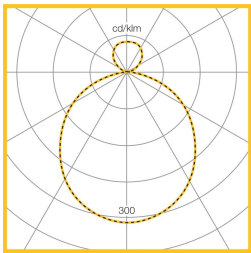
Colour Temp	RA (CRI)	Colour consistency
4000K	>80	MacAdam 3 SDCM

Dimensions

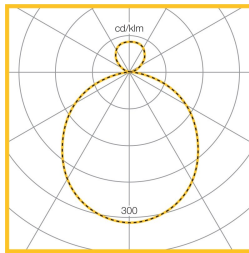


VERSION	H	KG	KG(EM)	Ø
550mm diameter	98	4.7	5.2	550
750mm diameter	98	6.7	7.2	750
1000mm diameter	98	10.2	10.7	1000

Photometric Performance



4000K High
Output 550 Ø
3500 Lumens,
24W
LOR = 100.0%
SHR MAX = 1.57



4000K High
Output 750 Ø
8400 Lumens,
54W
LOR = 100.0%
SHR MAX = 1.57

To Specify

Oculus (opal micro polymer diffuser)

Architectural pendant LED luminaire with direct: indirect lighting and advanced micro polymer diffuser delivering common surface brightness across the 550mm, 750mm & 1000mm diameters versions of the luminaire. Spun aluminium body with single point suspension and emergency integrated within the luminaire - as Whitecroft Lighting OCULUS

Application images

