

Whitecroft  
lighting

# Selene 2 Suspended



## Installation Instructions

Dec 2023 - Rev D

UK  
CA

CE



# Whitecroft Lighting Limited

Burlington Street, Ashton-under-Lyne, Lancashire OL7 0AX

Telephone +44 (0)161 330 6811

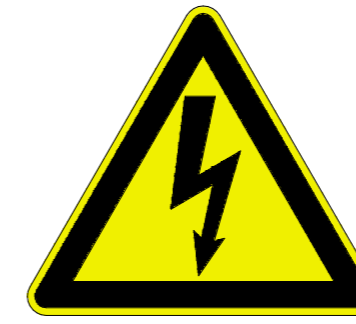
Email: [email@whitecroftlight.com](mailto:email@whitecroftlight.com)

Registered No. 3848973 England

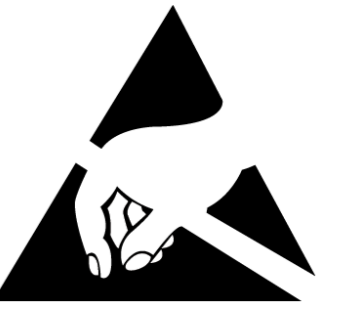
Registered Office: As above

# Selene 2 Suspended

High Voltage  
LED's



Electrostatic  
Sensitive Device



Whitecroft Lighting Limited

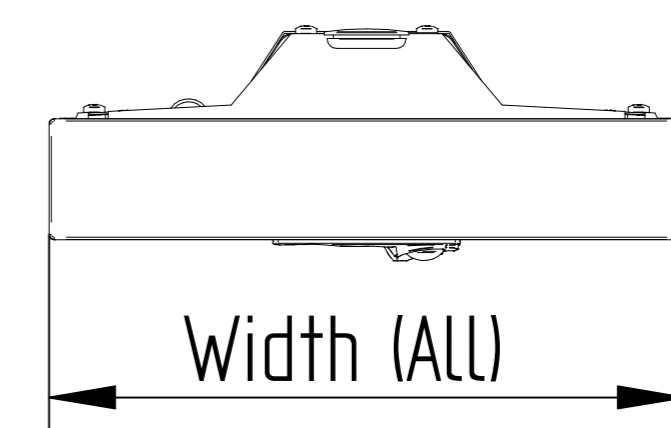
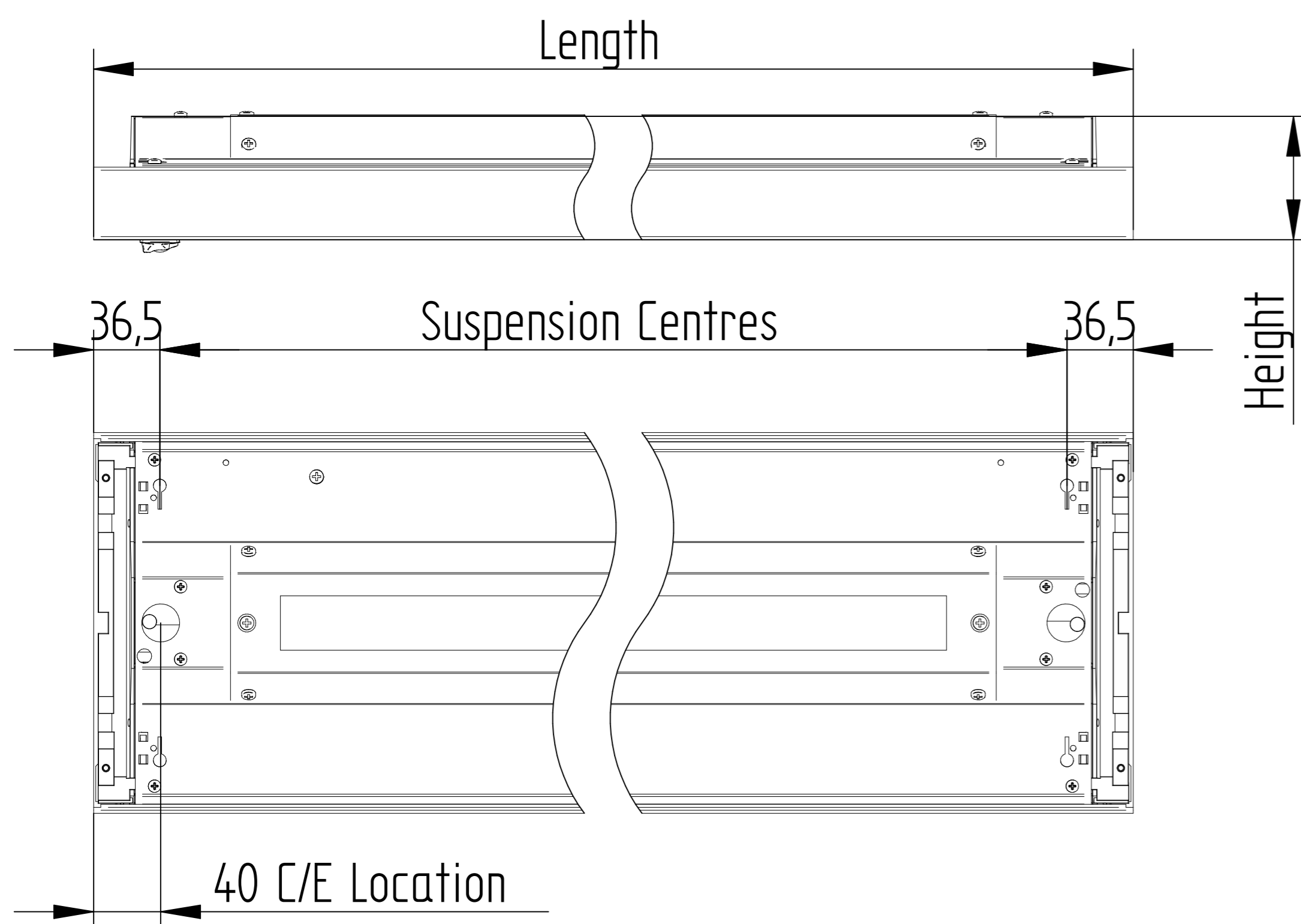
1. Remove the luminaire from its packaging and inspect the contents for damage.
2. Ensure that the supporting ceiling structure is of adequate strength to support the weight of the luminaire. (see specification table for weights)
3. Secure top hat brackets (part of SN2SUSKITM13) to the ceiling using suitable fixings at the recommended spacings below. Fit drop wire into the top hat cover & screw into top hat brackets.

Variant	Model	Height (mm)	Width (mm)	Length (mm)	Suspension Centres	Suspension kit	Weight (kg)	
							Standard	Emergency
Standalone Luminaire	1200	68	210	1322	1243	Yes	7.1	7.6
	1500			1607	1528	Yes	8.2	8.7
	1800			1887	1808	Yes	9.3	9.8
Continuous Luminaire	1200			1316	1243	Yes	7.4	7.9
	1500			1601	1528	Yes	8.6	9.1
	1800			1881	1808	Yes	9.8	10.3
Infill	300	41	210	300	N/A	No	1.4	N/A
	600			600	N/A	No	2.6	N/A
	900			900	N/A	No	3.8	N/A
	1200			1200	1130	Yes	5	N/A
	1500			1500	1430	Yes	6.2	N/A
	1800			1800	1730	Yes	7.4	N/A

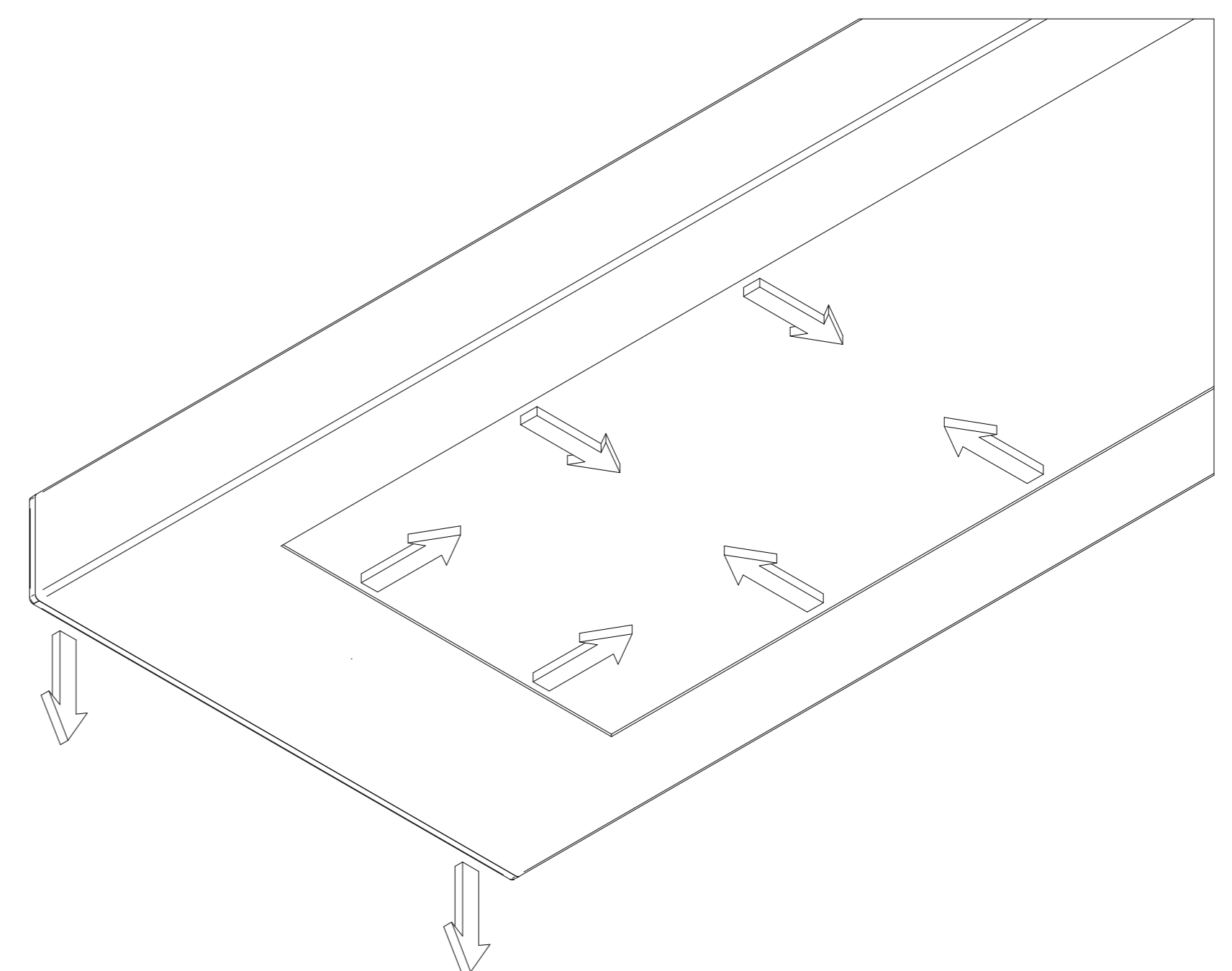
Specification - All variants	
Finish	RAL9003 White, RAL9016 Silver
Materials	Steel body, polycarbonate endcaps, acrylic diffusers.
Supply	220-240v AC50-60Hz
Connection	Cable section: 3-6 core-0.5mm <sup>2</sup> to 2.5mm <sup>2</sup> (6mm strip length)
Operating Temp	0°C to + 25°C
IP Rating	IP44 (IP40 OR3 Variants)

Nb Suspension centres between continuous luminaires = Infill length + 73mm (300 - 900 infills only)  
 Nb Suspension centres between continuous luminaires & infill = 71.5mm (1200 - 1800 infills only)

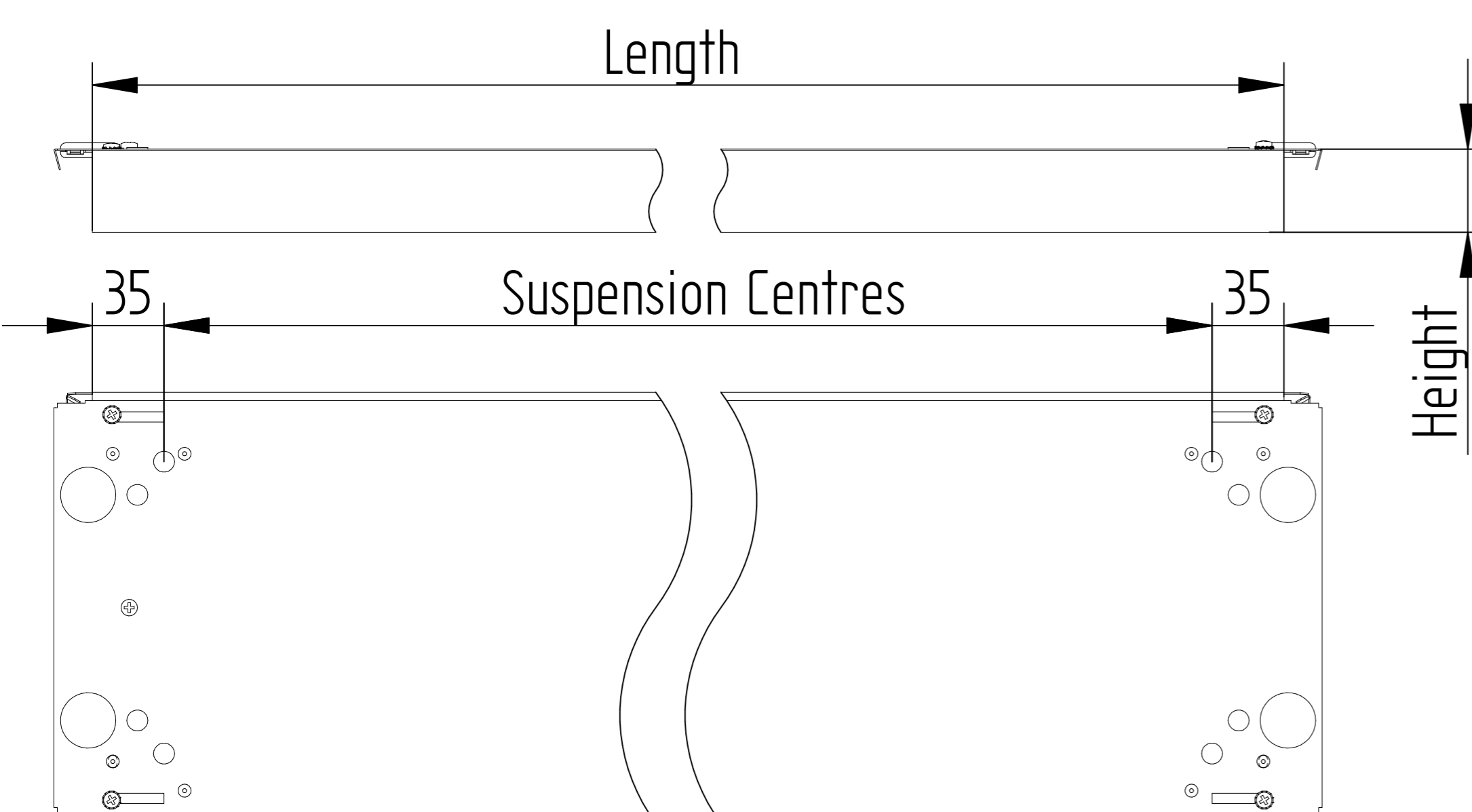
## LUMINAIRE DIMENSIONS.



## IP44 WATER DRAINAGE PATH



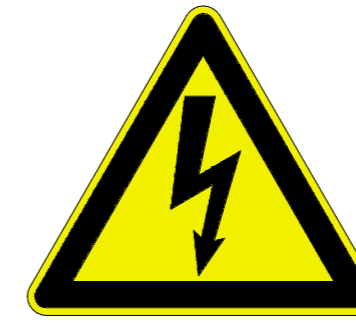
## INFILL DIMENSIONS.



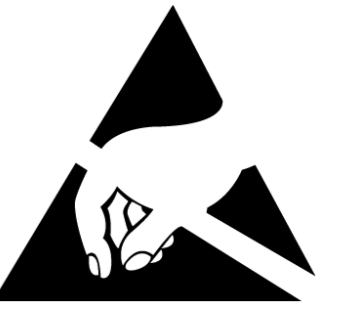
Drainage Path for any ingress of water via diffuser & endcap joint as indicated above.

# Selene 2 Suspended

High Voltage  
LED's

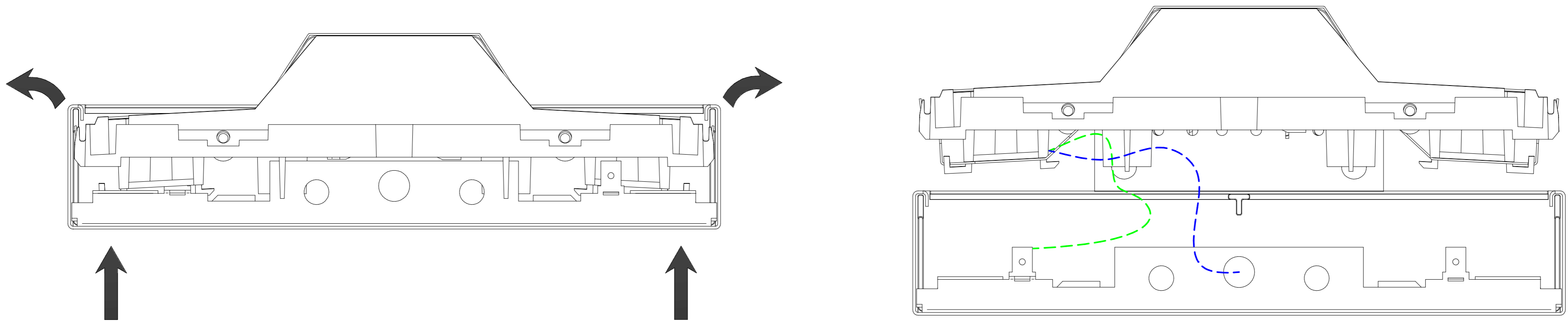


Electrostatic  
Sensitive Device



Whitecroft Lighting Limited

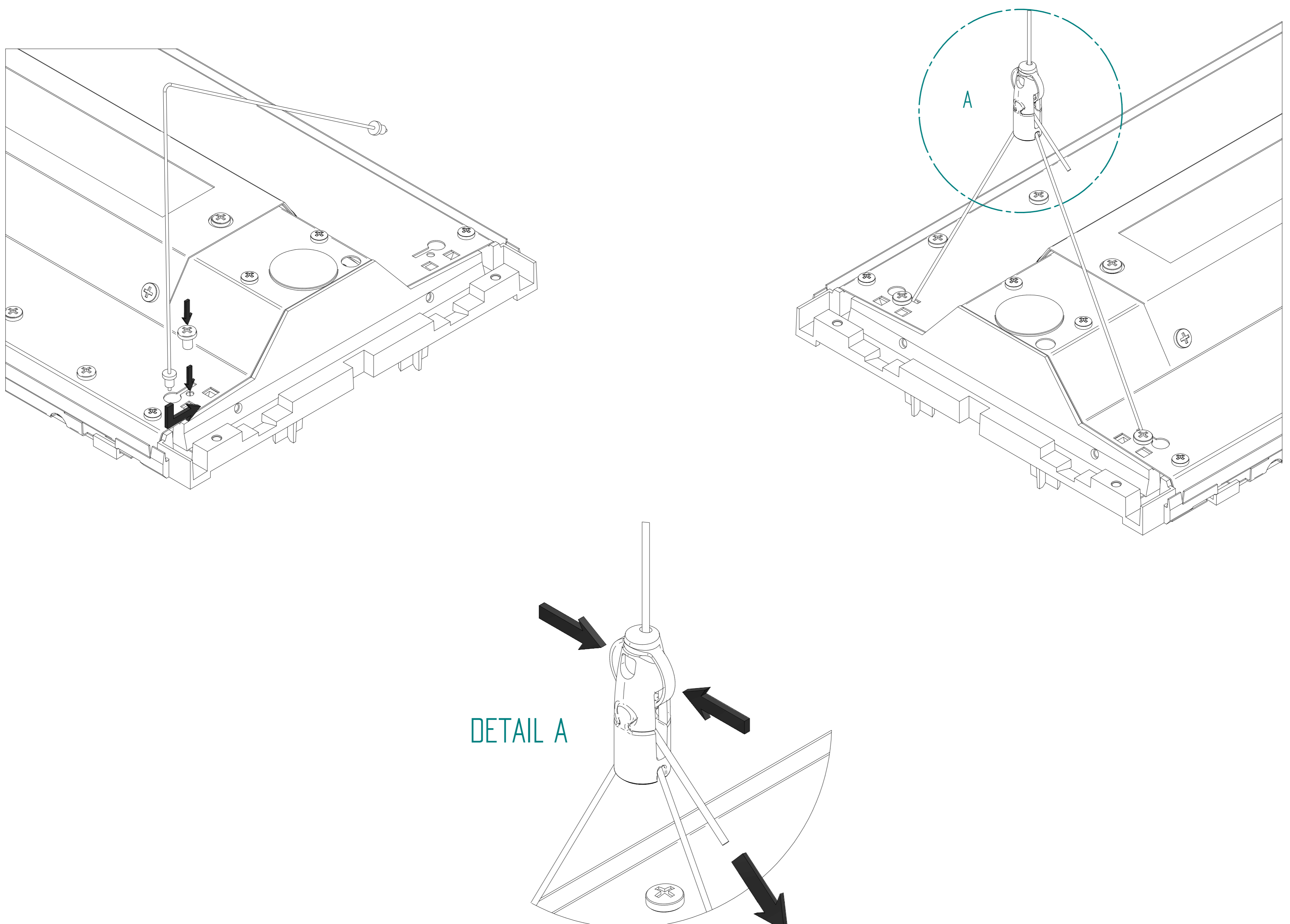
4. Remove the front diffuser optic assembly from the product by pushing up vertically & unhooking edges. Disconnect the safety & earth cords & sensor connection plug where fitted & set assy aside.



5a. Fit 'Y' splitter adjustable suspension hanger cables into the canopy keyhole cutouts and fit the included locking screws into the adjacent holes to secure.

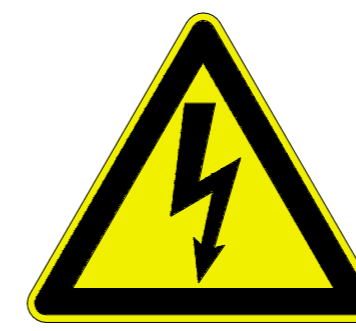
5b. Offer luminaire 'Y' splitter clutch assemblies up to the pre fitted wire drops & adjust luminaires to the desired height. Excess cable can be trimmed once no further adjustment is necessary.

**Nb Adjustment of luminaire should always be undertaken with the weight of the luminaire supported.**

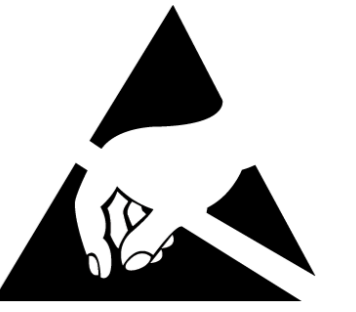


# Selene 2 Suspended

High Voltage LED's

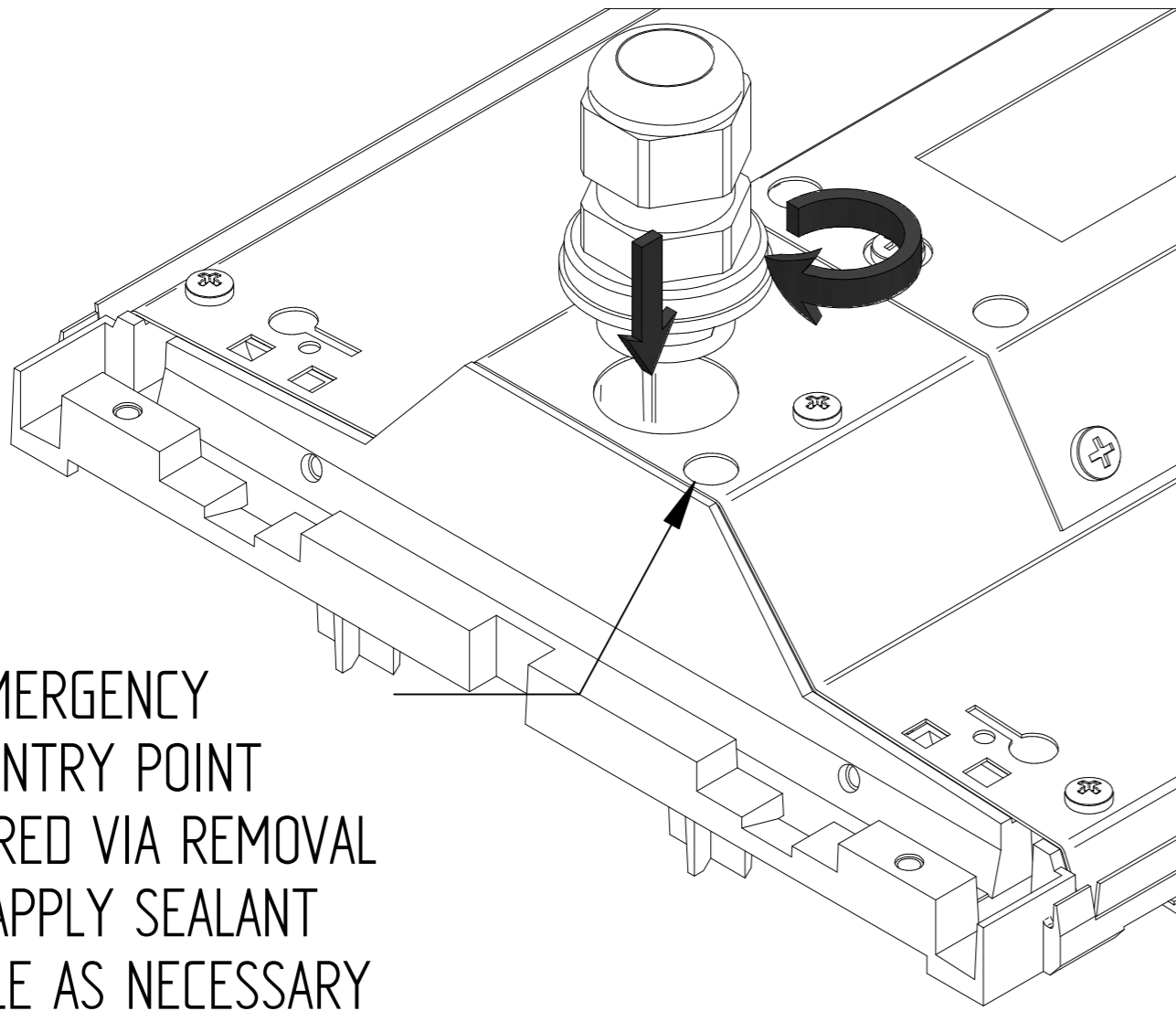


Electrostatic Sensitive Device

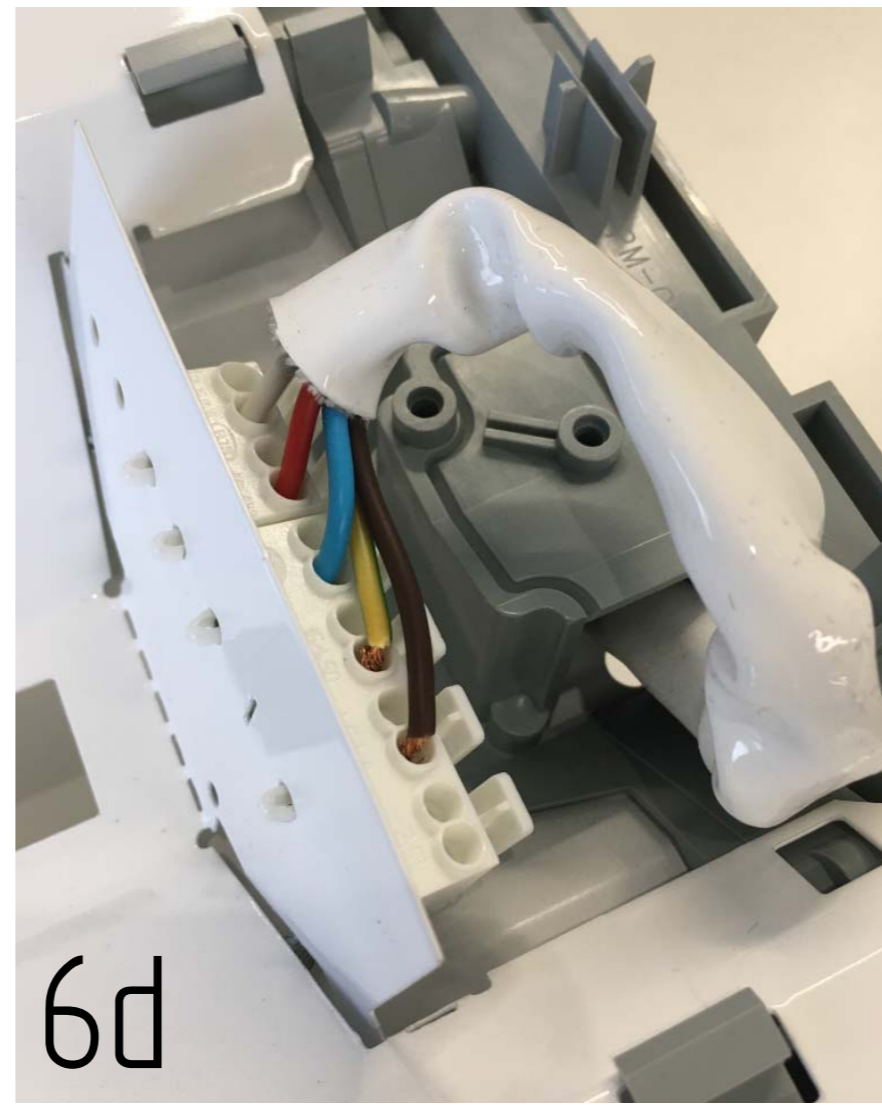


Whitecroft Lighting Limited

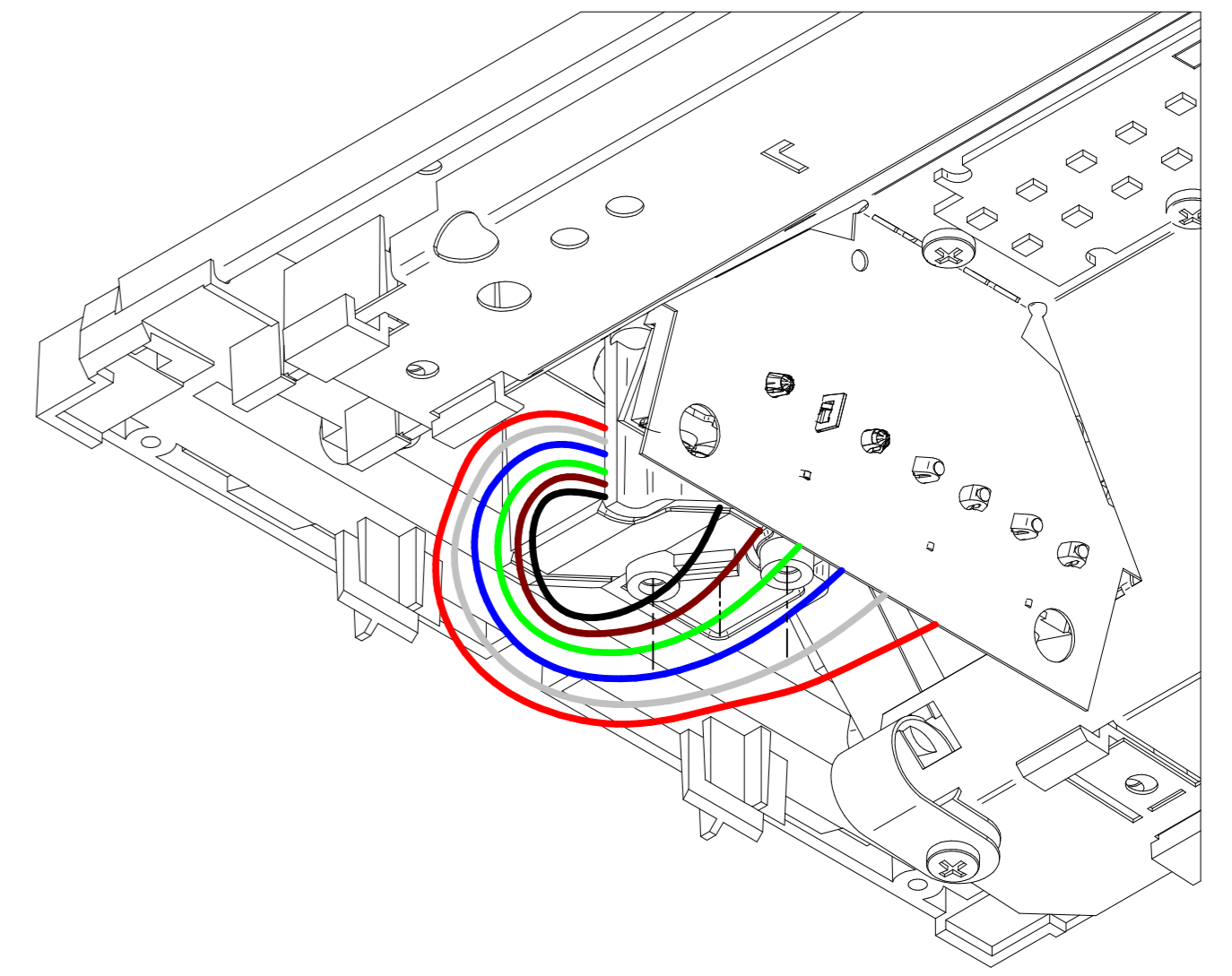
- 6a. Remove the blanking grommet from the preferred luminaire end for the mains power feed cable.
- 6b. Fit the cable gland supplied with the endcap kit (supplied separately) & secure via rotating body in a clockwise direction. **Nb Mains feed cable must be at the opposite end to any fitted sensor!**
- 6c. Feed the mains cable through the cable gland & secure whilst ensuring that there is minimum of 180mm of stripped cable available after the cable clamp (See note re separate em Dali cable entry)
- 6d. Fit the supplied cable sleeving over stripped cables between cable clamp & terminal blocks.



SEPARATE EMERGENCY DALI CABLE ENTRY POINT WHEN REQUIRED VIA REMOVAL OF PLUG. NB APPLY SEALANT AROUND CABLE AS NECESSARY

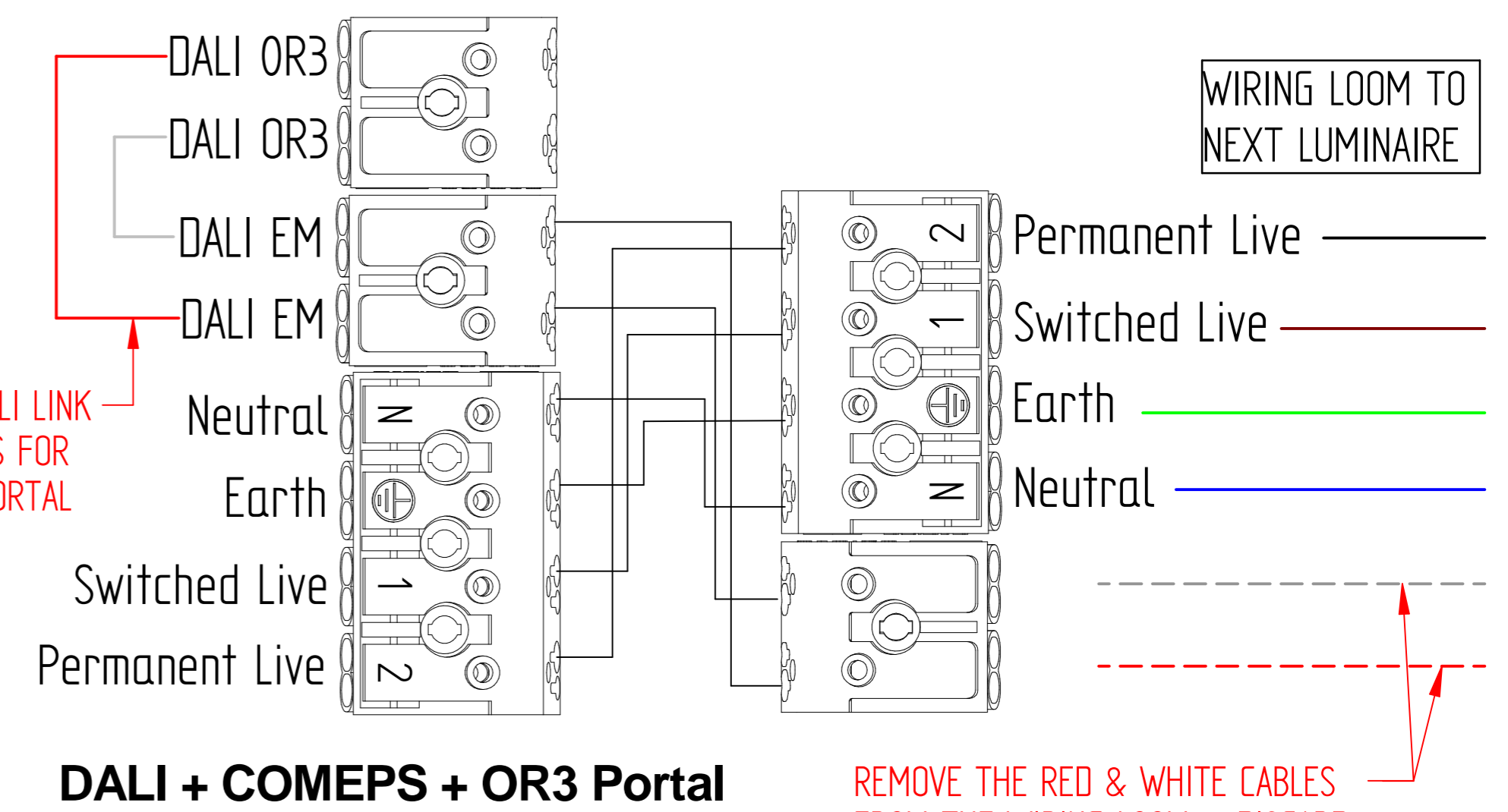
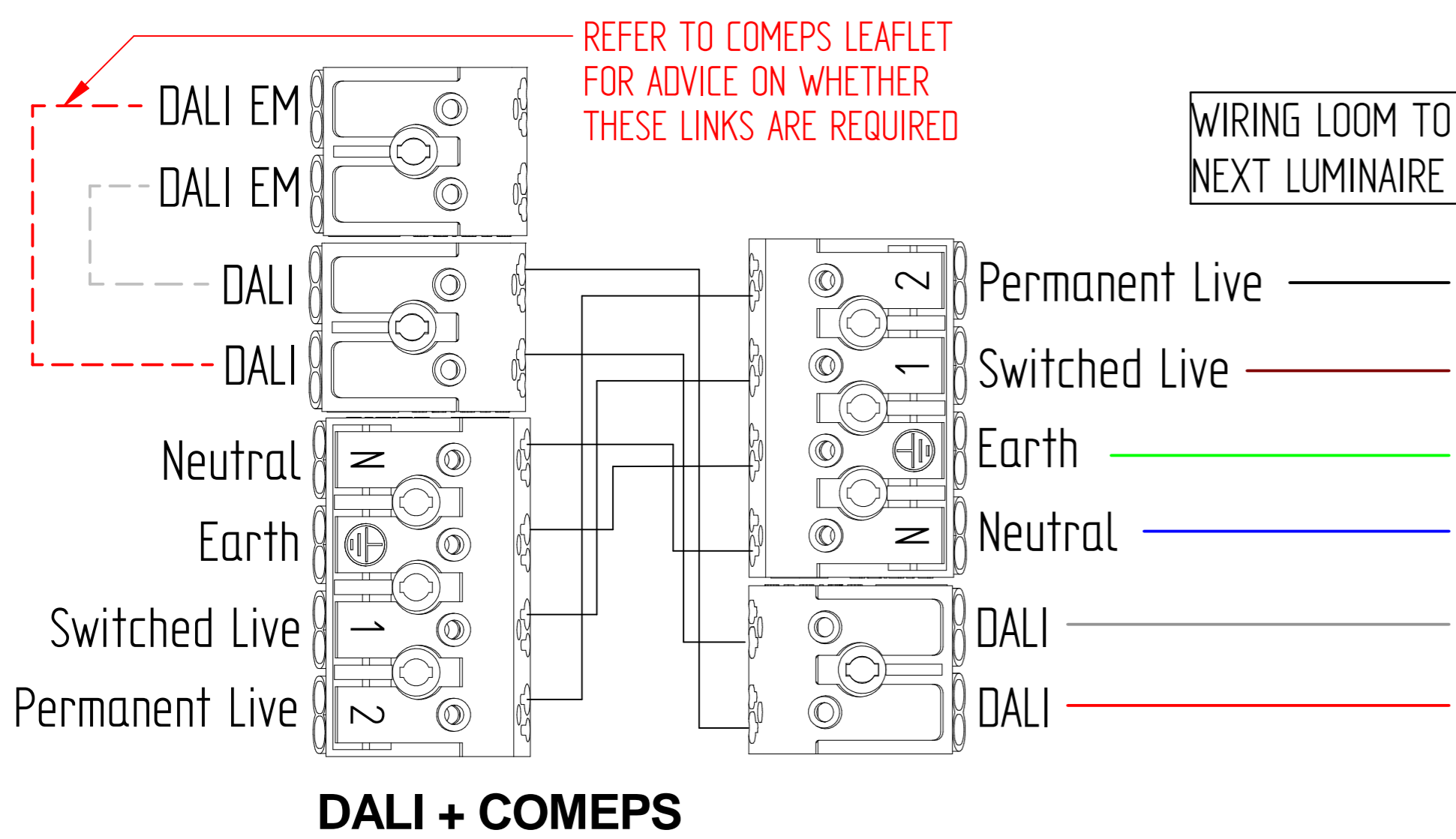
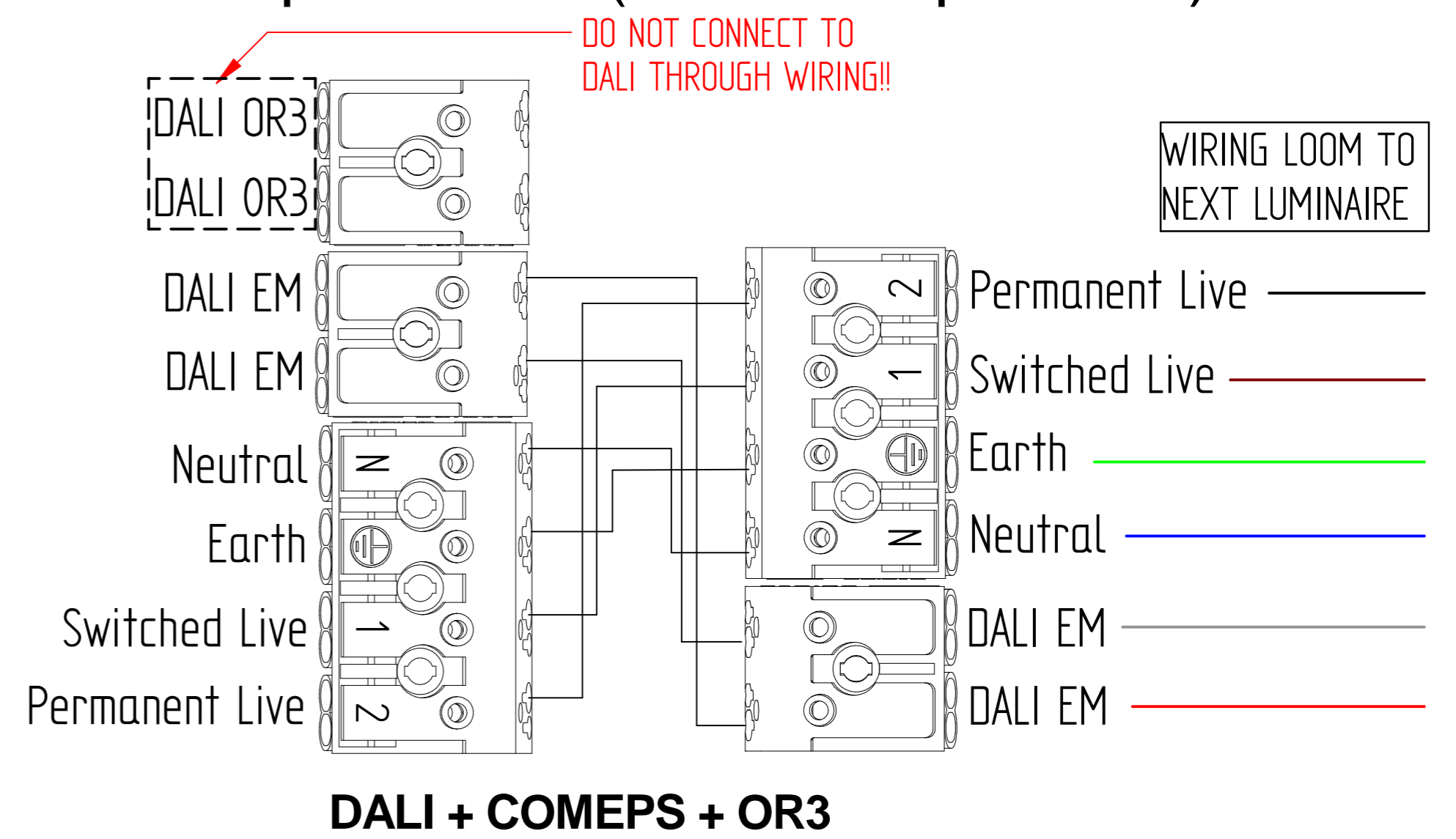
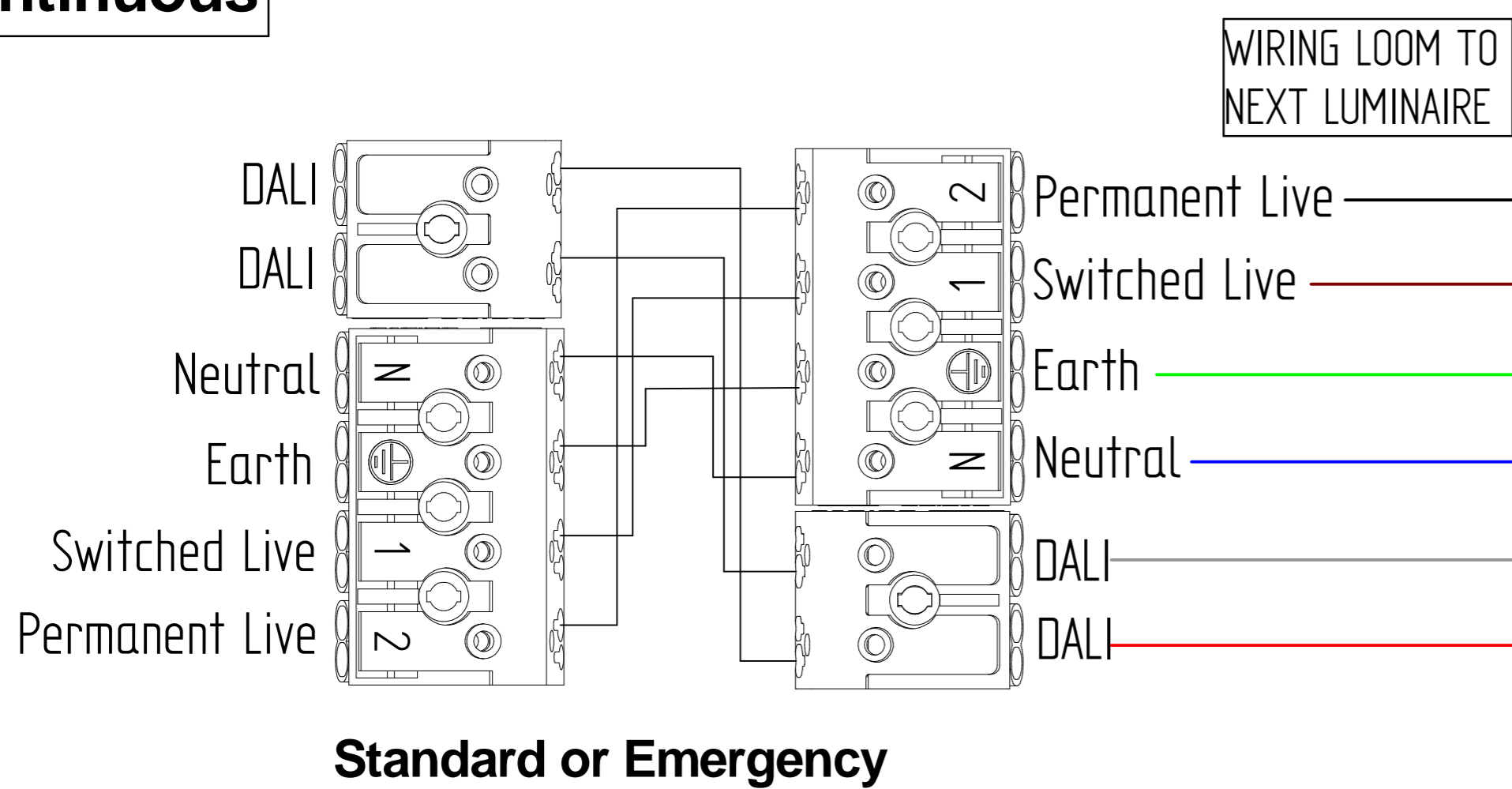


6d

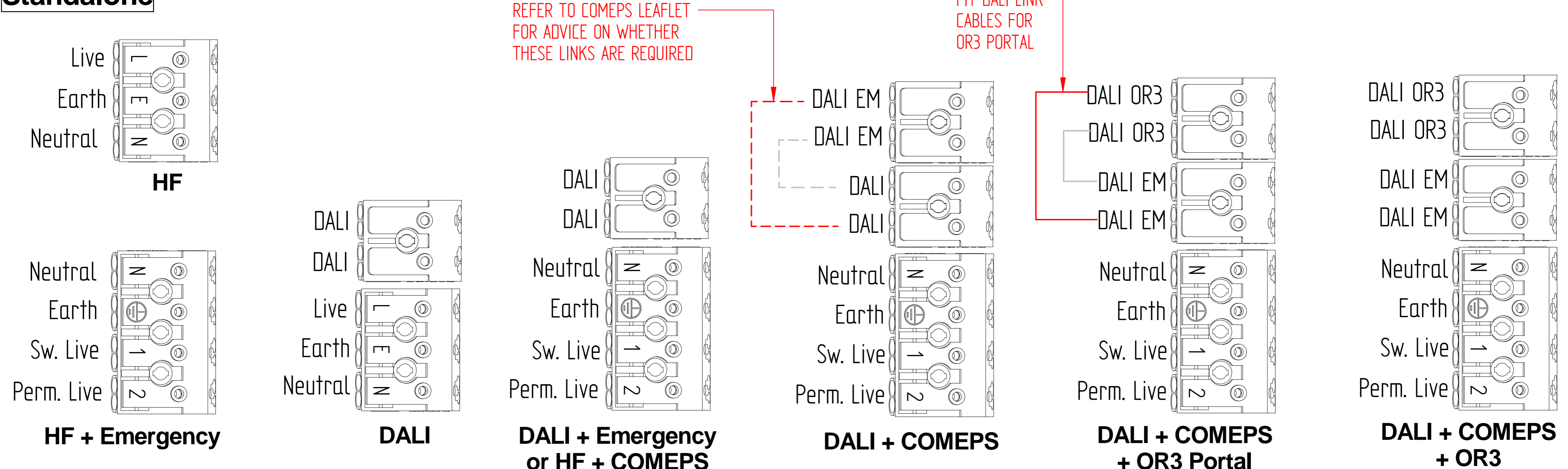


## 7. Wire mains / Dali cable into the Luminaire terminal blocks as per below (variant dependant)

### Continuous

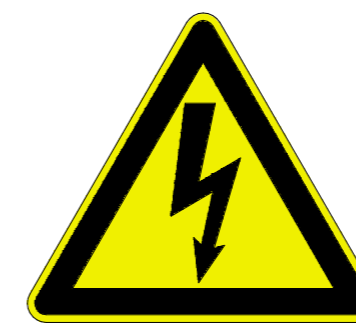


### Standalone



# Selene 2 Suspended

High Voltage  
LED's

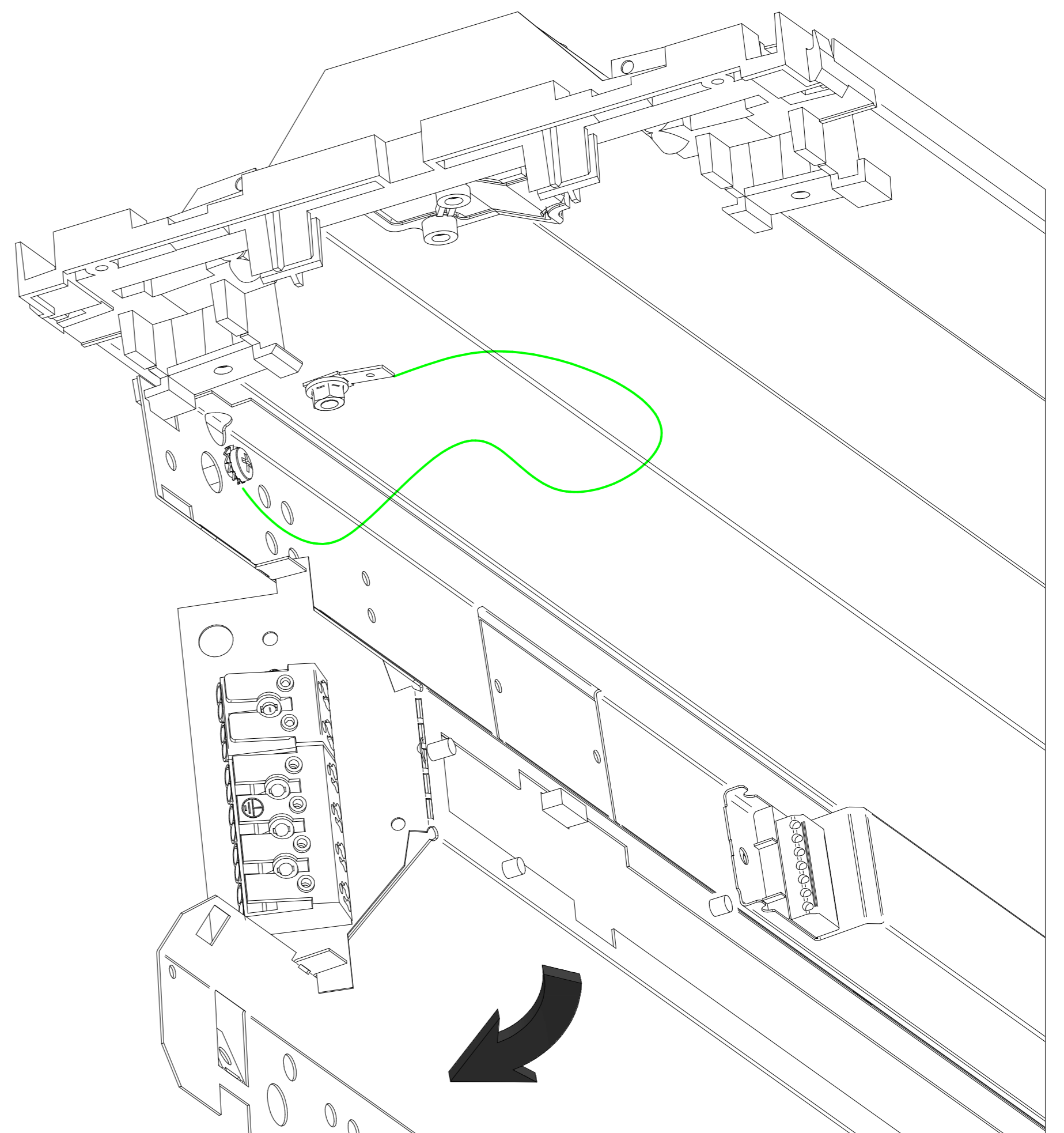
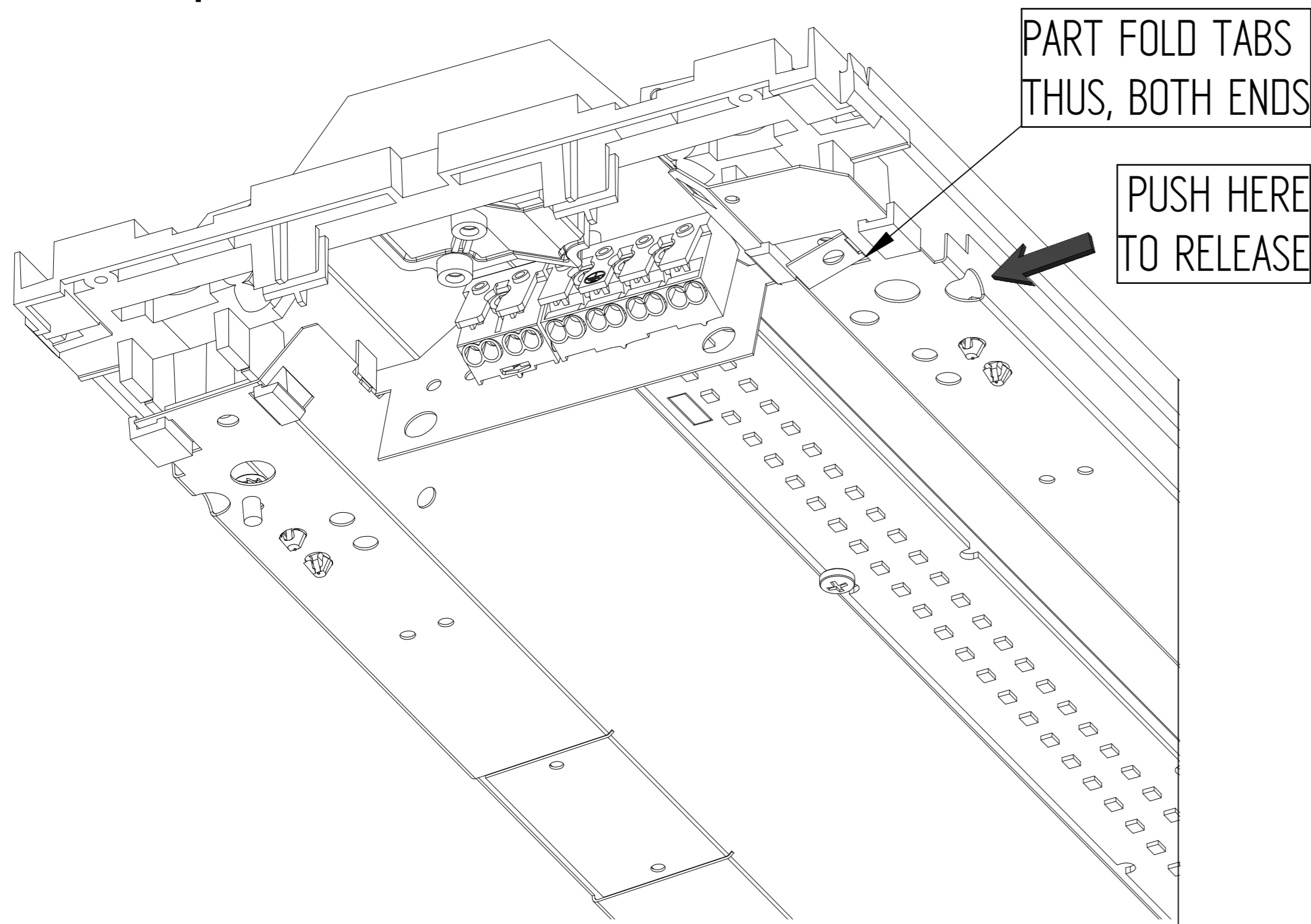


Electrostatic  
Sensitive Device

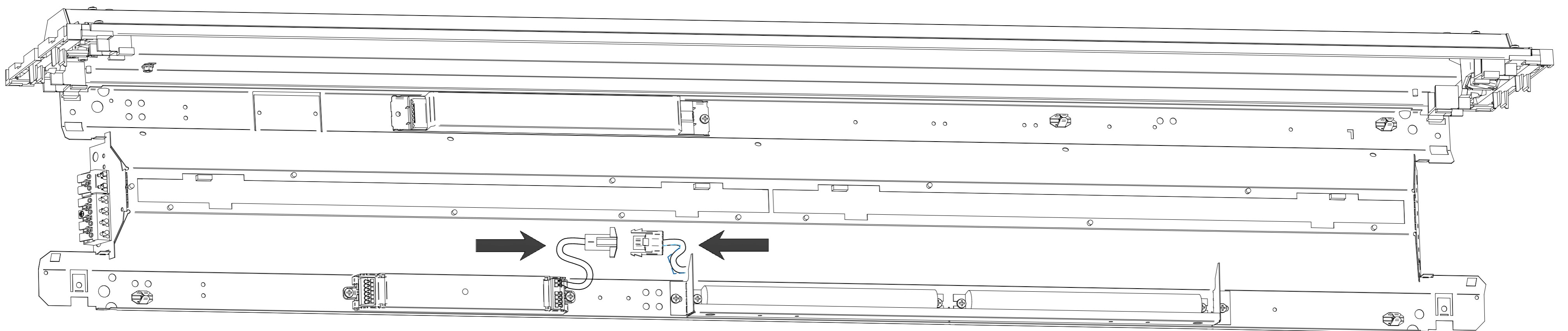


Whitecroft Lighting Limited

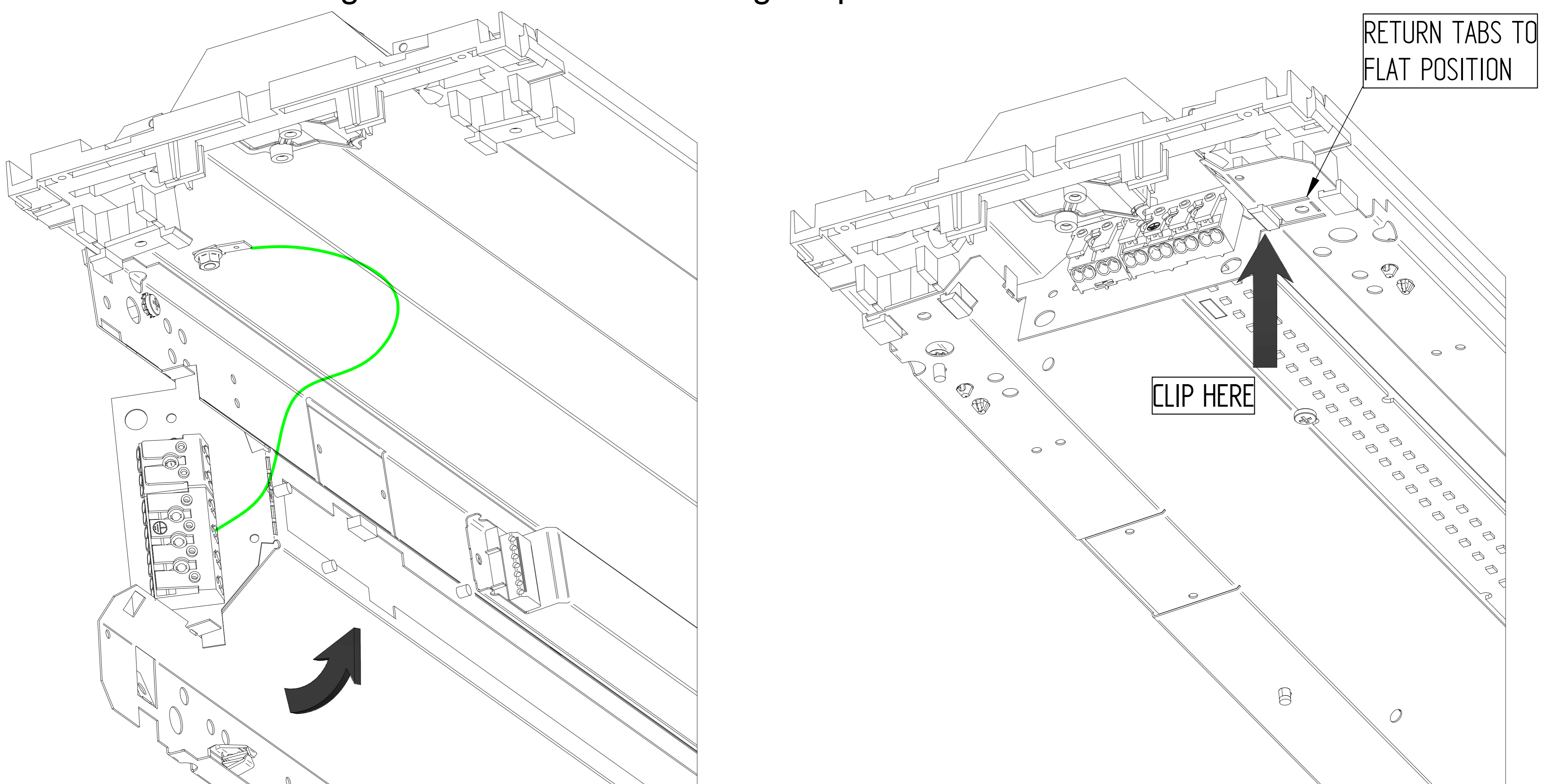
8. For emergency & maintenance purposes:  
a) Bend indicated locking tabs on geartray as shown.  
b) Release geartray by unhooking from plastic clips and allowing the geartray to hinge & rotate to a vertical position.



- c) Connect the battery plug & socket & the note commissioning date.



- d) Refit the geartray assembly to the horizontal position ensuring that the clips are fully engaged at both ends & the locking tabs are folded flat to original position.

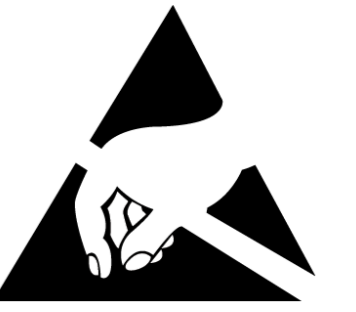


# Selene 2 Suspended

High Voltage  
LED's



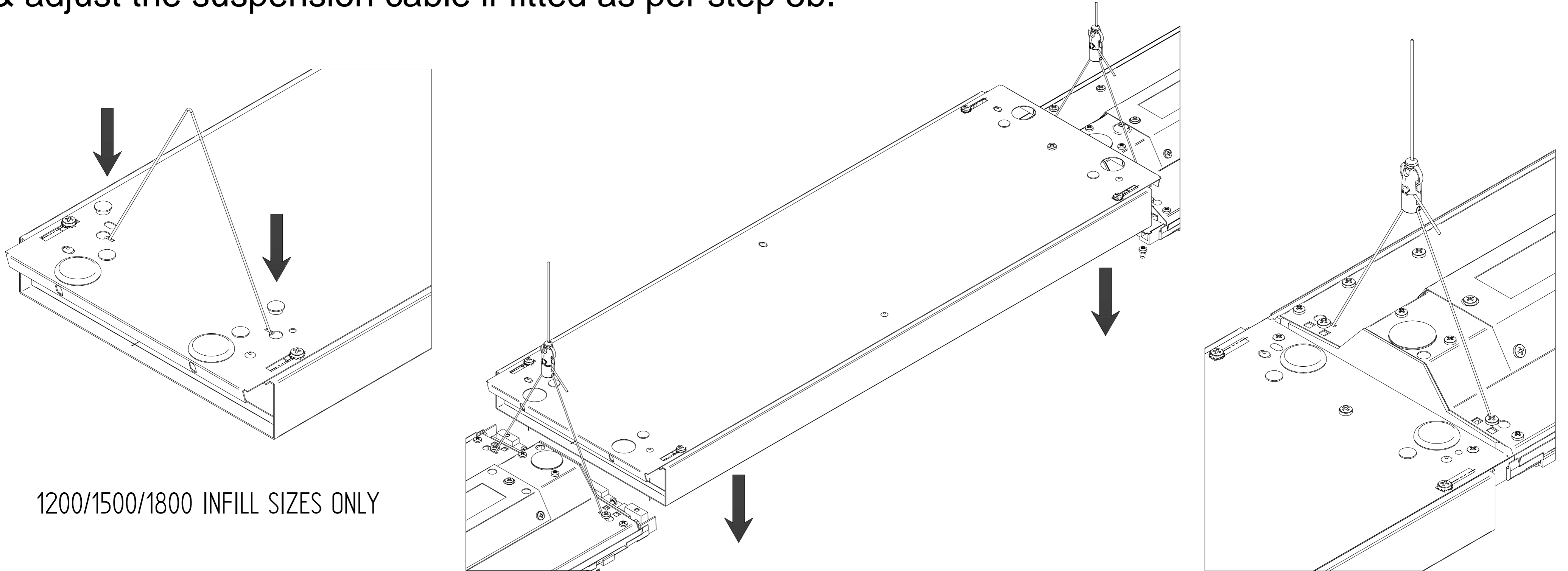
Electrostatic  
Sensitive Device



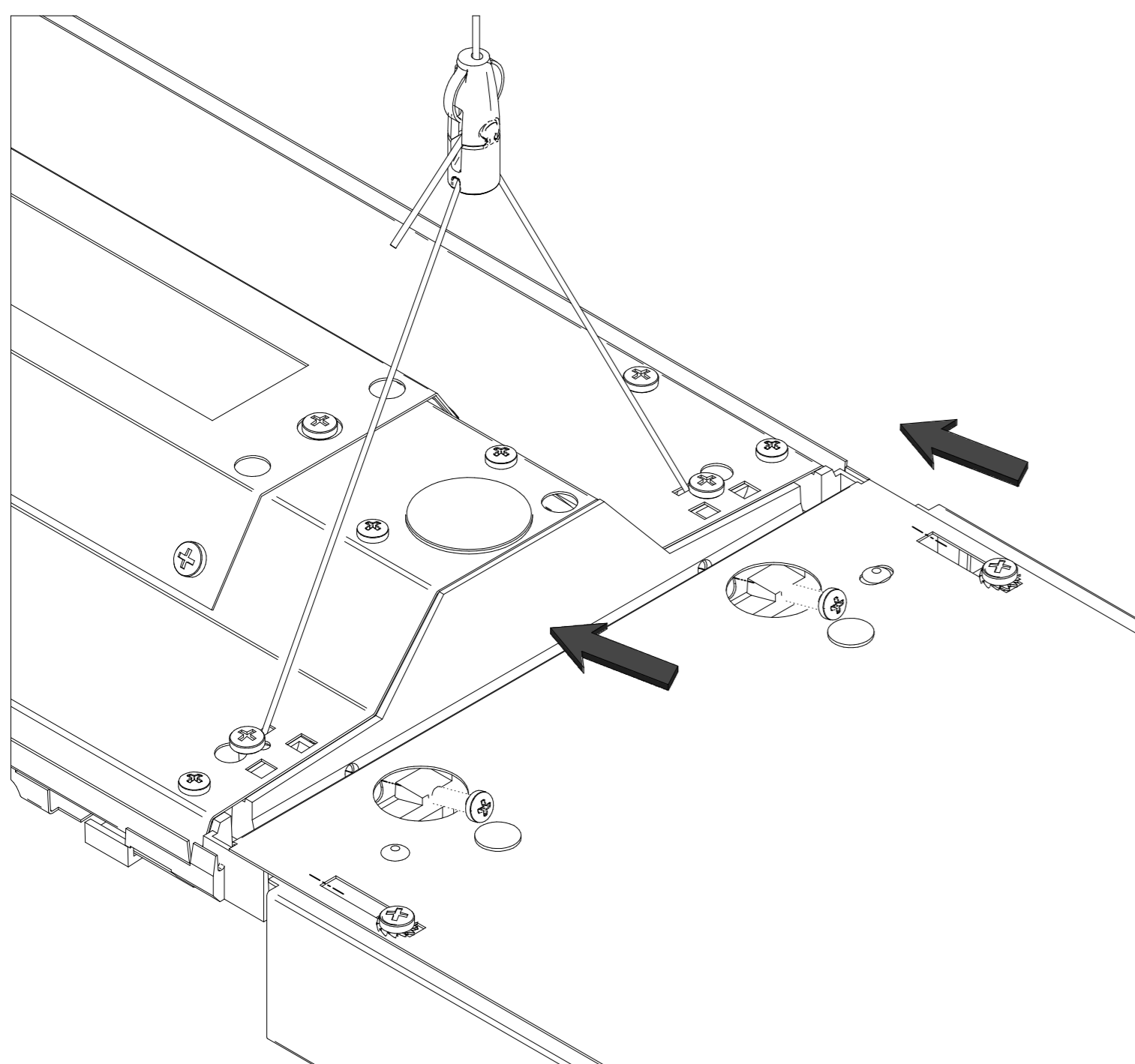
Whitecroft Lighting Limited

9. For infills:

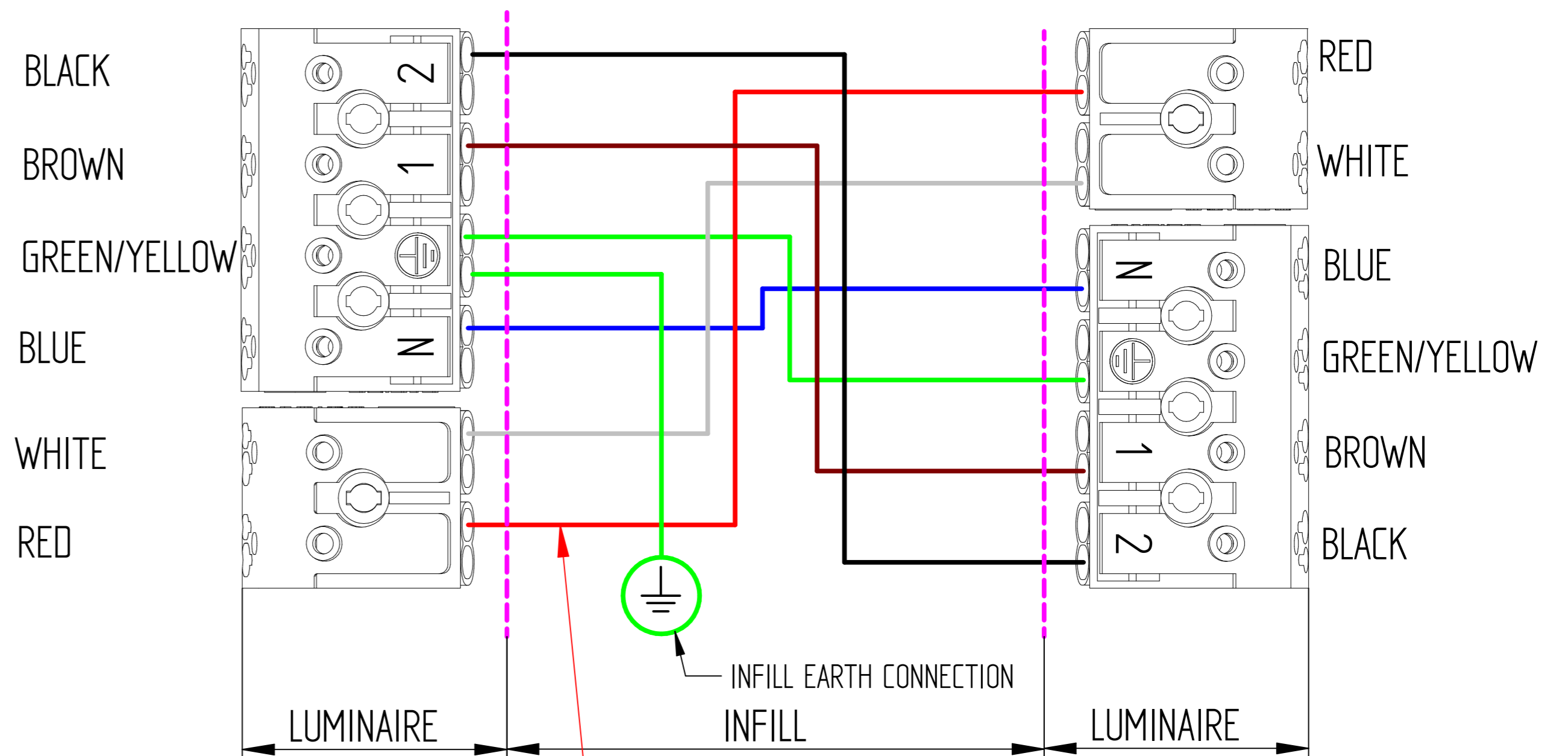
- For infill lengths of 1200mm & above, fit 'Y' splitter suspension assembly into the infill keyhole slots & retain via the plastic push in plugs provided. (n/a for infills sizes 900mm & below)
- Hook the infill inbetween the adjacent luminaires & adjust the suspension cable if fitted as per step 5b.



- Fit the supplied jointing screws into the adjacent luminaires, but do not fully tighten at this stage.

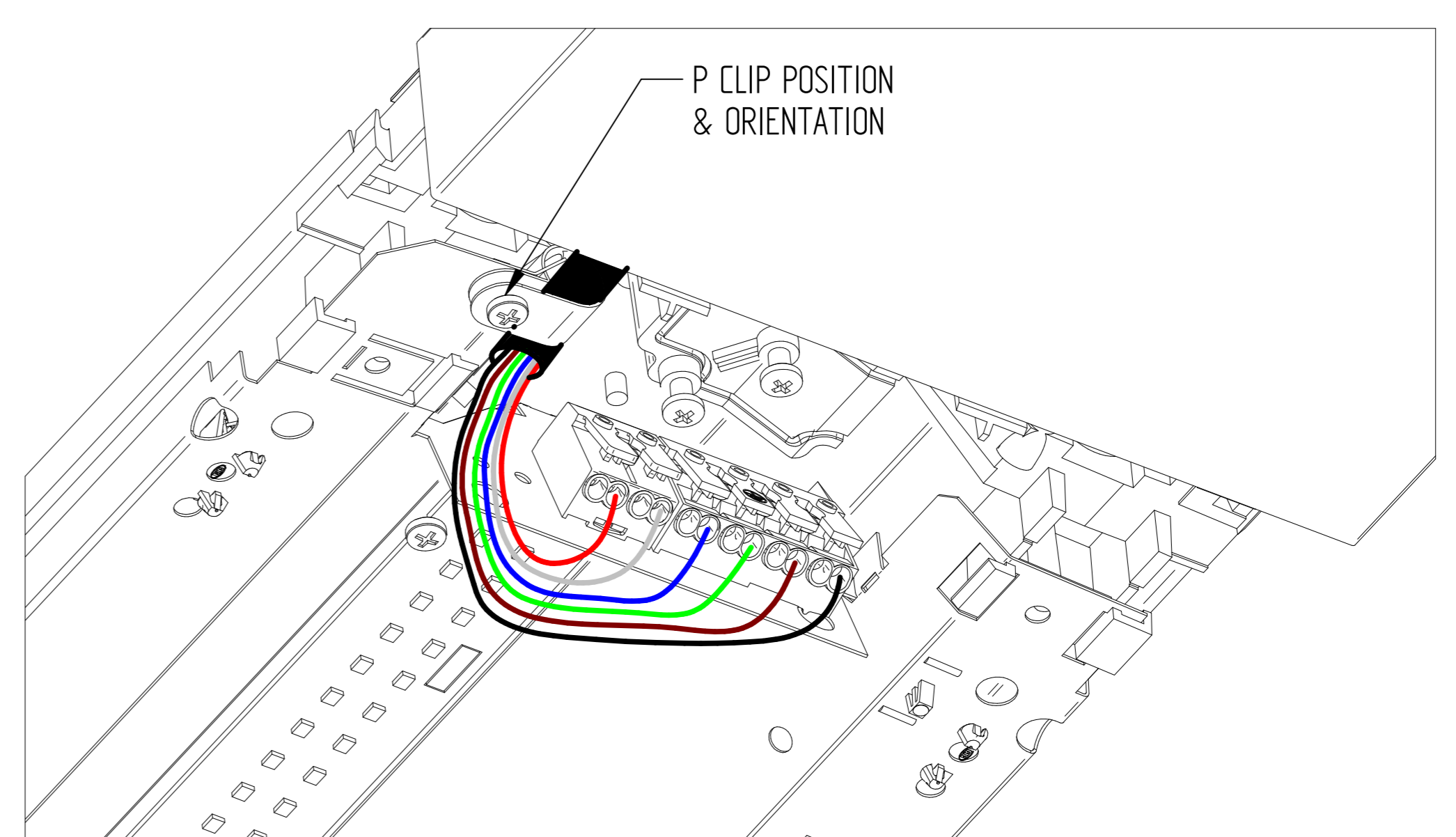
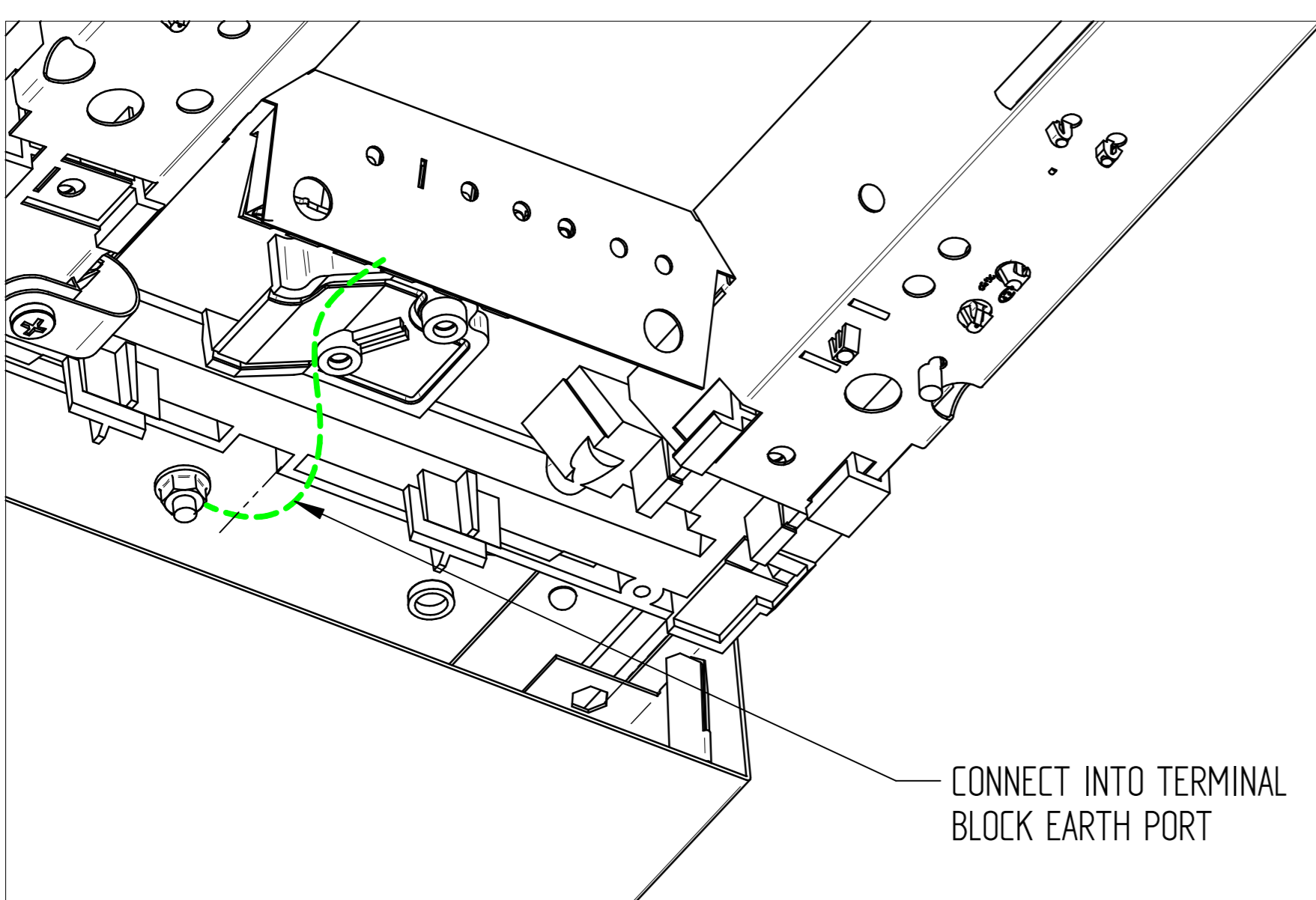


## INFILL LOOM CONNECTION



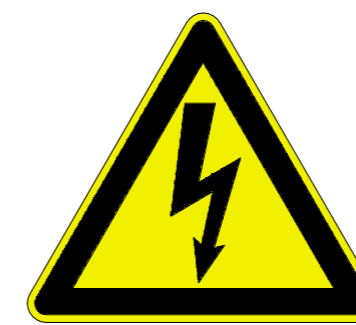
**NB - FOR OR3 COMEPS PORTAL CONFIGURATION REMOVE THE RED & WHITE CABLES FROM THE WIRING LOOM. ! DO NOT CONNECT TO THE DALI TERMINAL BLOCKS**

- Connect the earth lead from the infill into the terminal block earth port at one end.
- Feed the supplied wiring loom through the infill & connect to the adjacent luminaire terminal blocks.
- Secure the loom to the adjacent luminaire geartrays with the supplied 'P' clips & screws. Ensure that 'P' clips are orientated as shown below.



# Selene 2 Suspended

High Voltage  
LED's

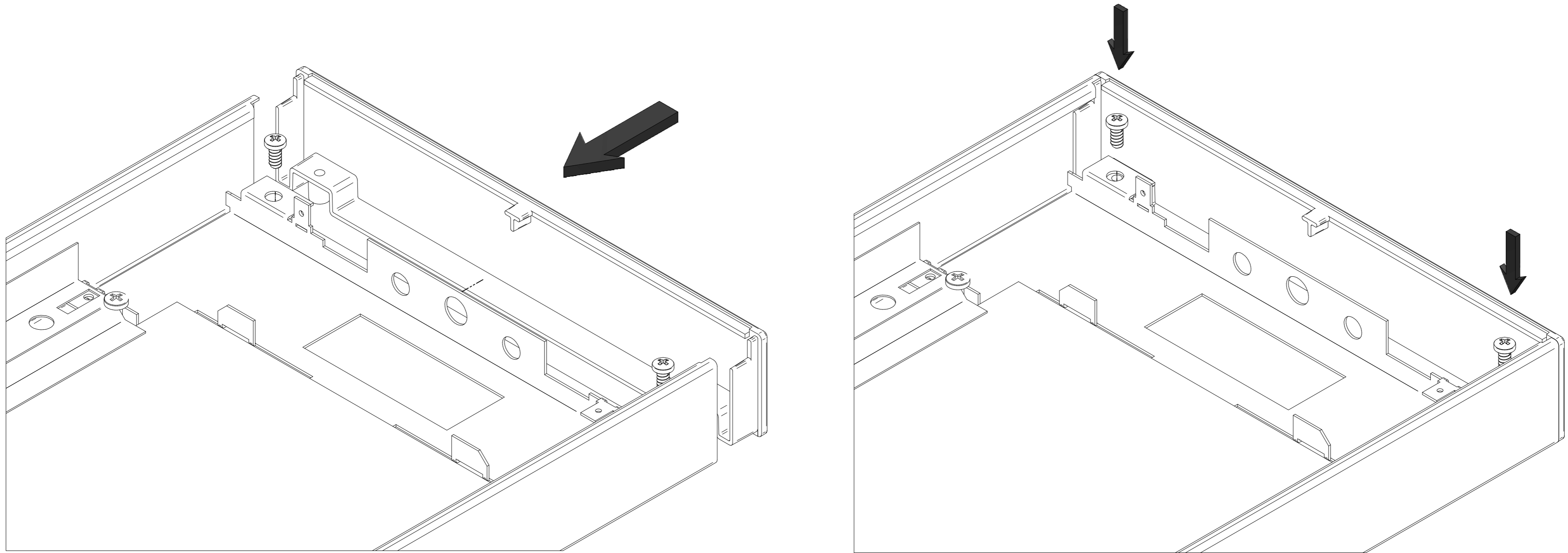


Electrostatic  
Sensitive Device



Whitecroft Lighting Limited

d) Using Endcap kit (SN2CENDKIT- supplied separate) fit end caps to the front diffuser assembly at each end of rows with the screws provided.

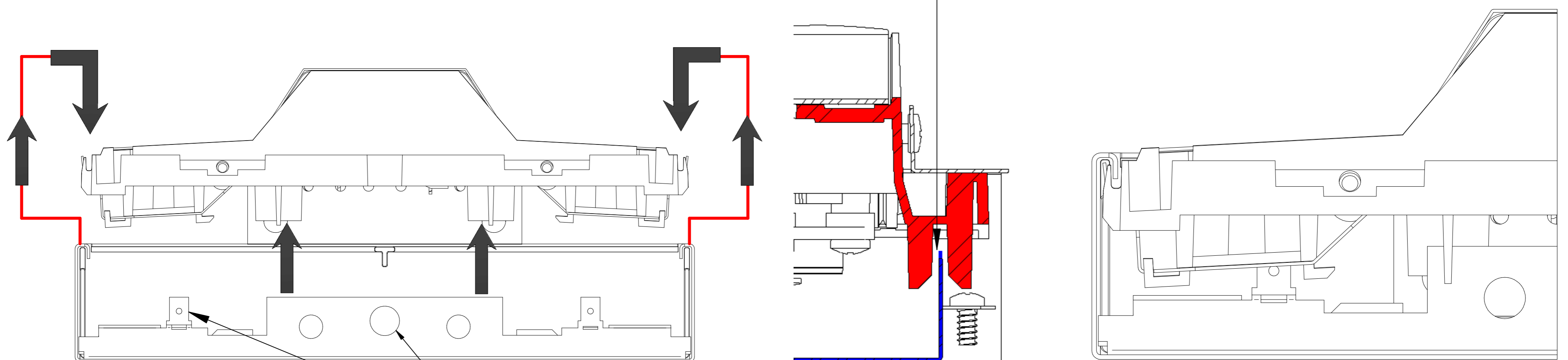


10a. Re-attach earth & safety cords to the diffuser assembly & connect Sensor plug where fitted.

10b. Align the front diffuser assembly with the canopy & re-attach to canopy by pushing up from the front until hook on both sides are fully clipped over the canopy edge along the entire length .

**Nb Care should be taken to ensure that no cables are trapped during the fitting process.**

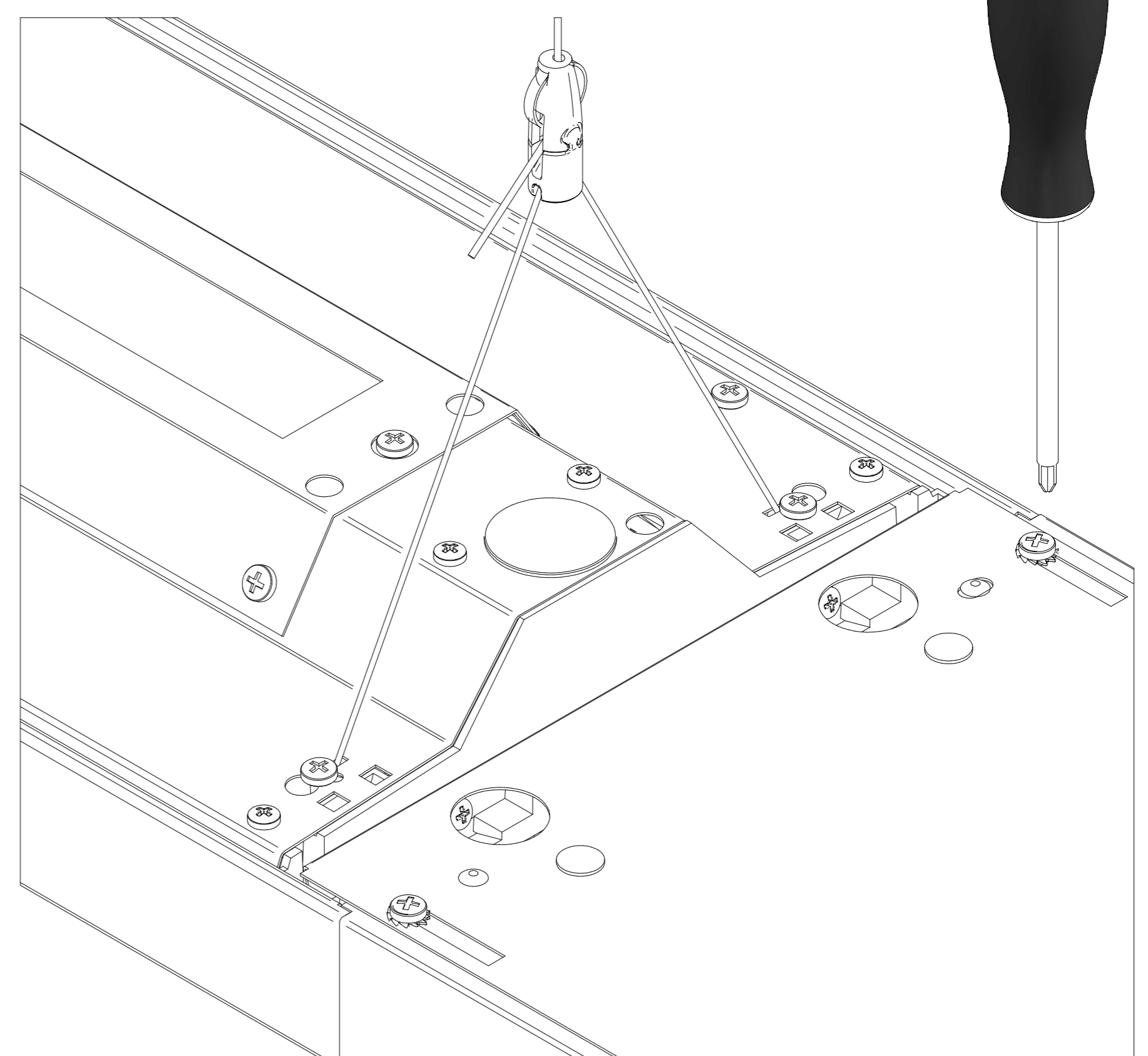
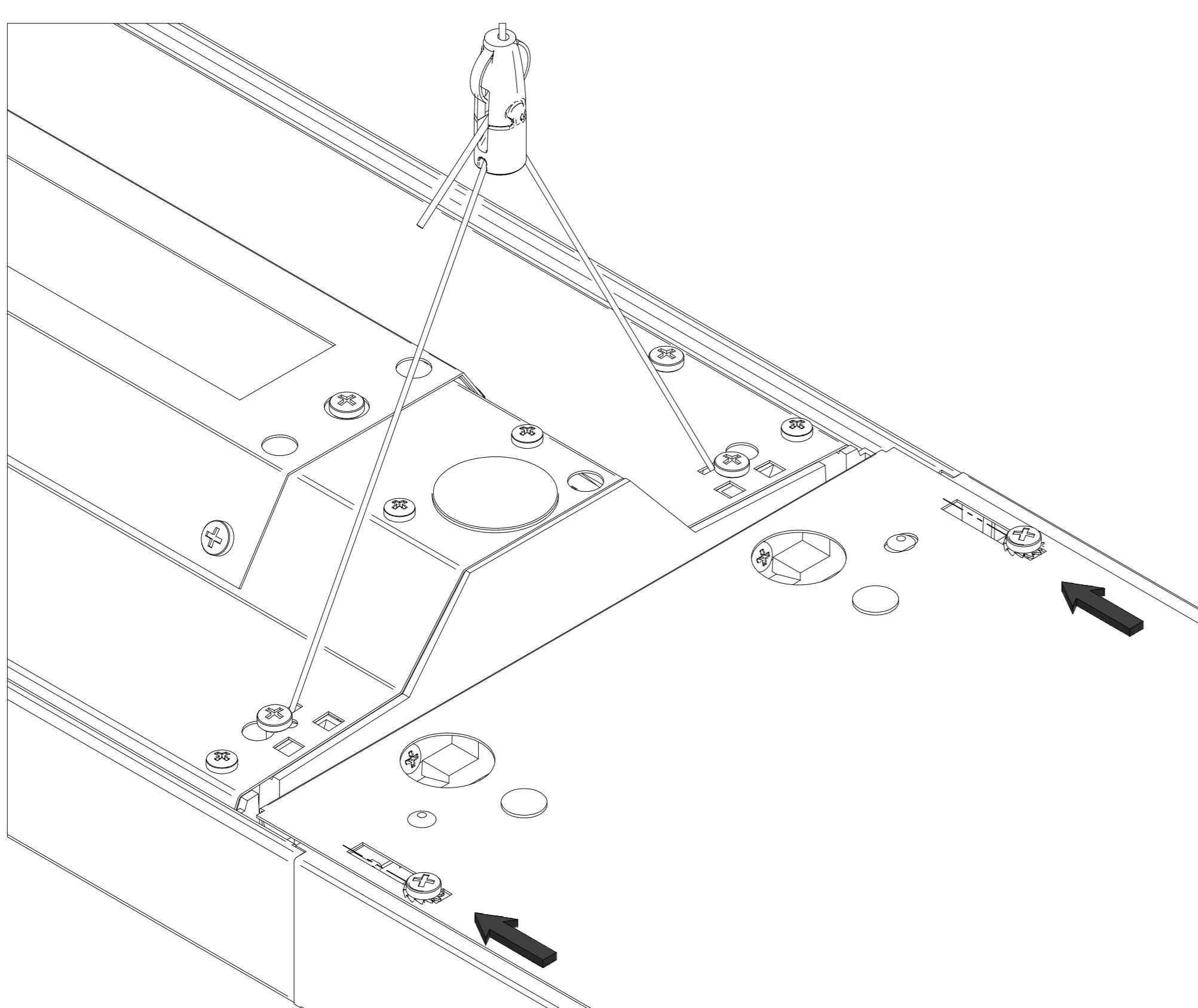
Ensure diffuser assembly is aligned with canopy assembly at both ends here



11. For infills:

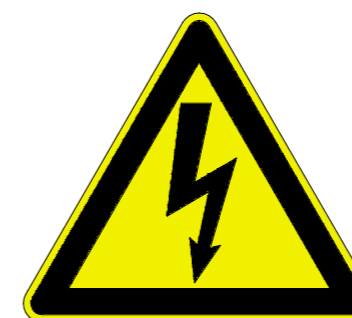
Reconnect safety cords and earth leads here

a) Slide the alignment brackets on the inside of the infill fully into the adjacent luminaire and tighten the top screws.

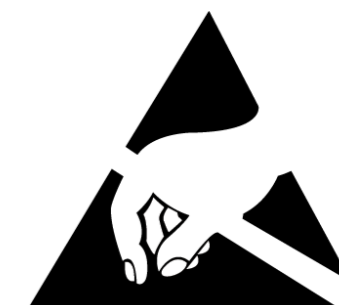


# Selene 2 Suspended

High Voltage  
LED's

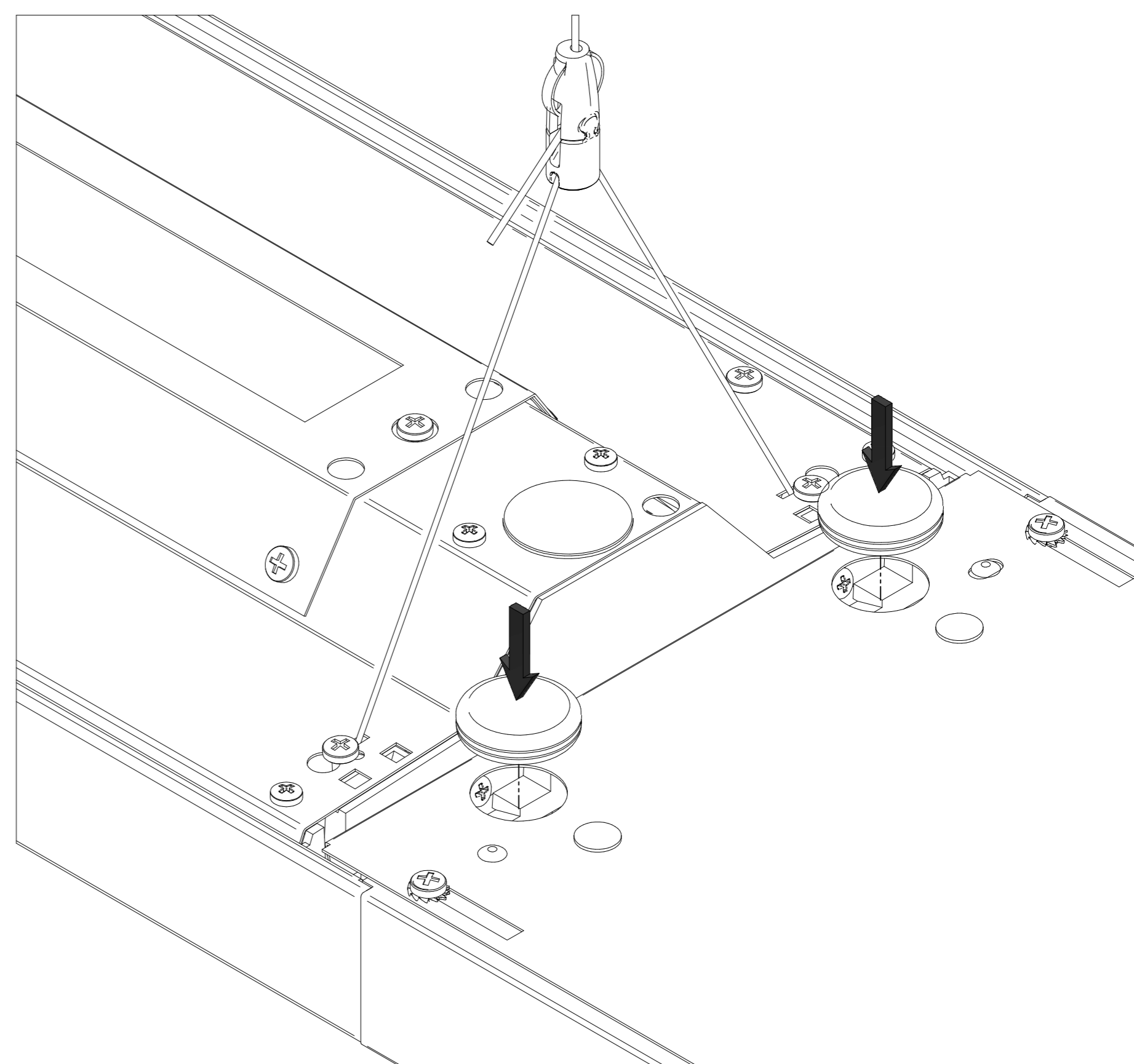
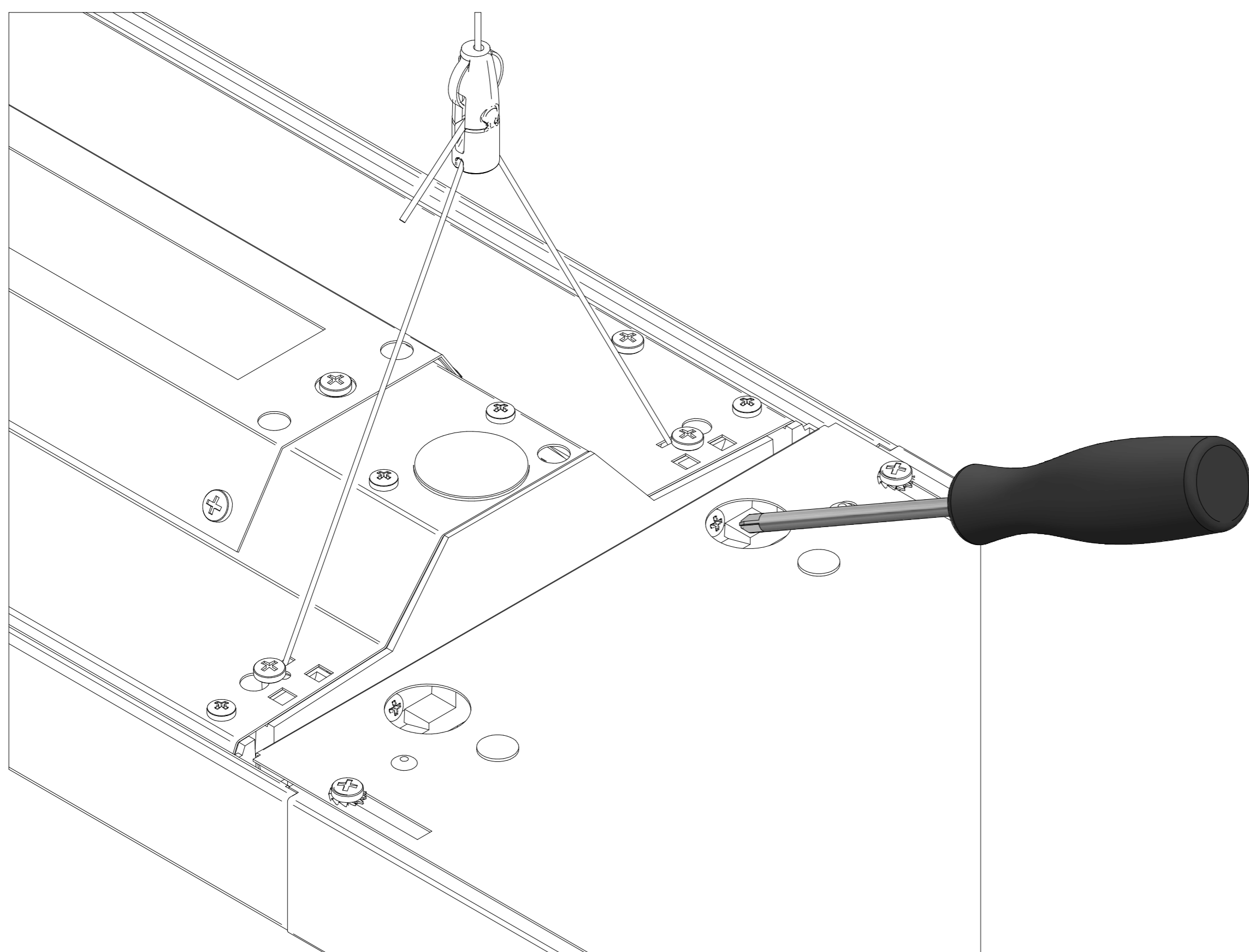


Electrostatic  
Sensitive Device

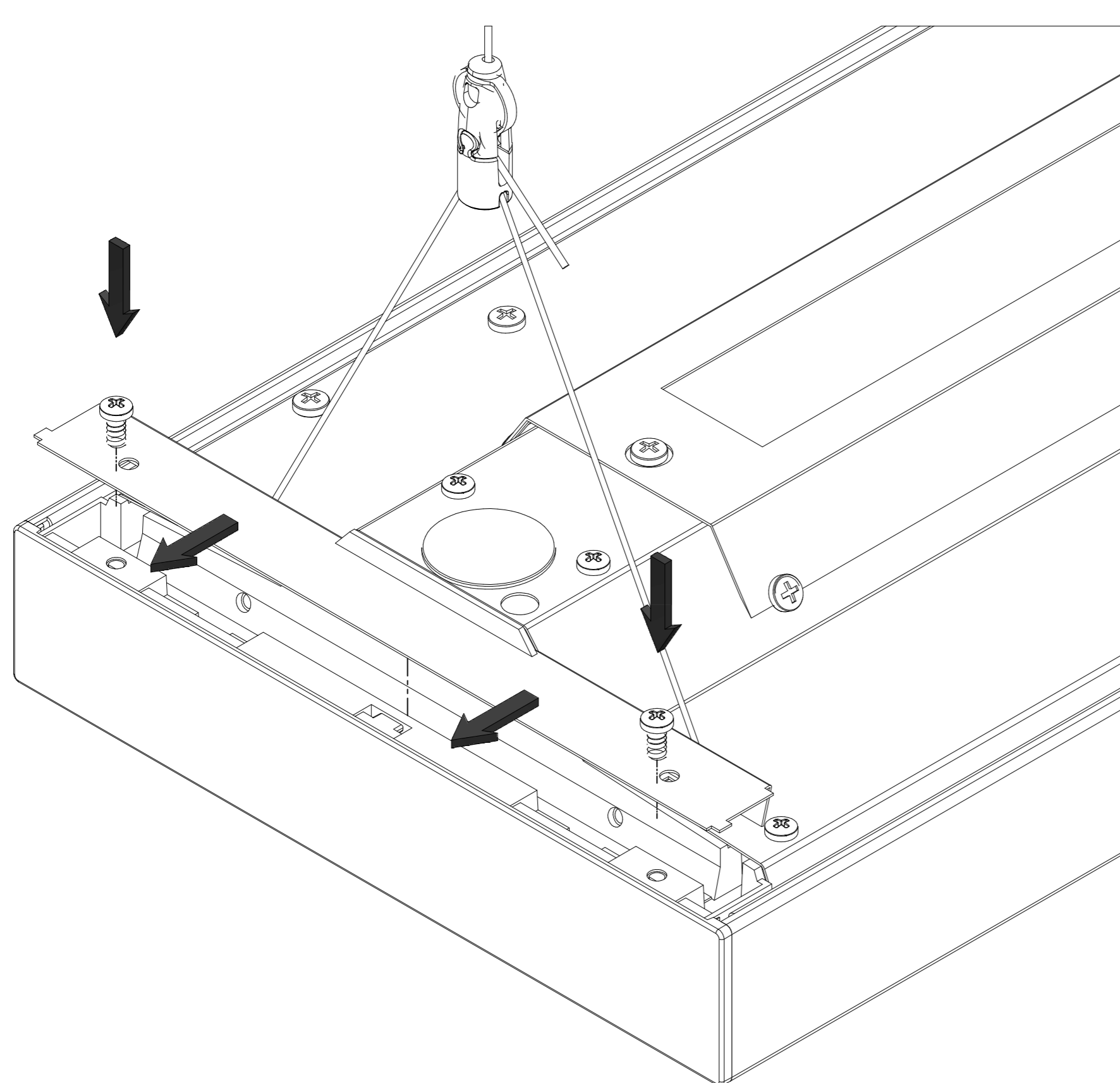


Whitecroft Lighting Limited

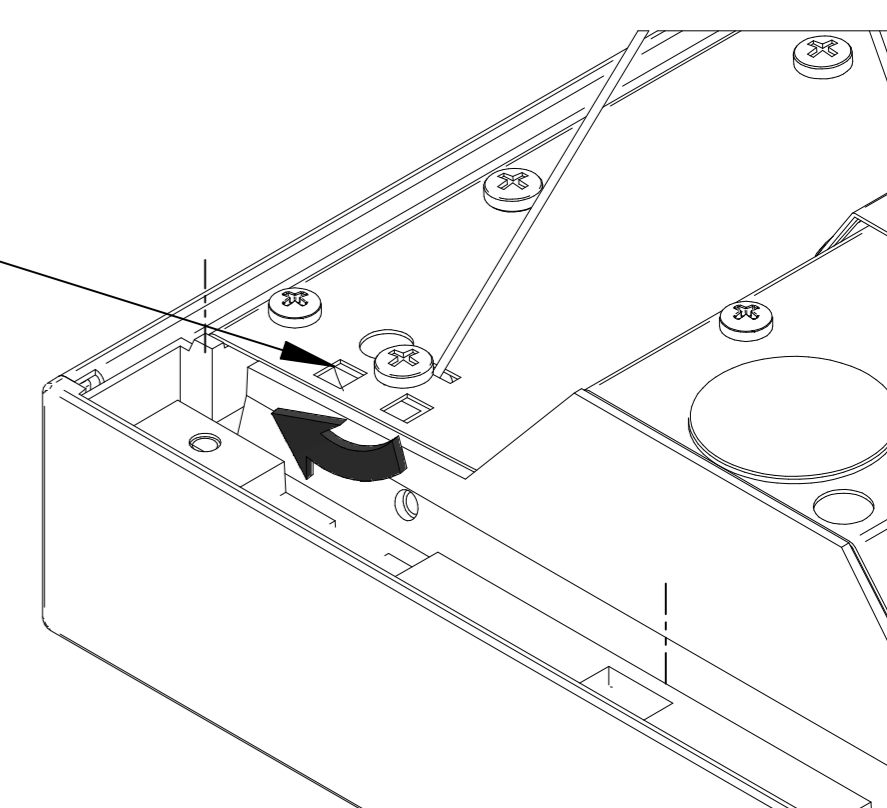
b) Fully tighten jointing screws into the adjacent luminaire and fit blanking grommets into holes.



12. Fit locking plates at each end of continuous rows & individual luminaires with screws provided. **Ensure that the plate overlaps the outer endcap at each end before fully tightening the screws.**



Nb - LOOP SECONDARY SUSPENSION  
CABLE THROUGH SLOTS HERE  
WHEN NECESSARY.  
(SUPPLIED BY OTHERS)



## Whitecroft Lighting Limited

Burlington Street, Ashton-under-Lyne,  
Lancashire OL7 0AX

Telephone: +44 (0)161 330 6811

Registered No: 3848973 England

### Technical Support

Telephone: 0161 331 5700

Email: [technical@whitecroftlight.com](mailto:technical@whitecroftlight.com)

## GENERAL SAFETY INFORMATION.

1. A qualified electrician, in accordance with IEE wiring regulations should carry out connection to the mains wiring.
2. Ensure that the rated voltage and the frequency requirements are compatible with the available mains supply.
3. This luminaire must be earthed.
4. Observe ESD precautions during installation.
5. The Luminaire must be isolated before commencing any necessary maintenance work or emergency battery connection.
6. Do not carry out high voltage insulation test, i.e. 500/1000v this may damage internal components.
7. The light source within this luminaire shall only be replaced by the manufacturer, their agent or a suitably qualified person.
8. Batteries used in emergency versions of this luminaire range are replaceable by a qualified electrician only.
9. Dali control cables must be double insulated & have an equivalent insulation rating to the supply cable.
10. Ensure that the ceiling is of sufficient strength to support the luminaire weight. Fit secondary suspensions where necessary.
11. It is recommended that a minimum of two people undertake installation of luminaires.
12. Battery access for maintenance & replacement purposes is the reversal of steps 11,10,9,7 (Infills can remain in situ)