

Installation Instructions

General Safety Instructions

- Read the instructions for installation and commissioning.
- Pass the instructions to the customer for safekeeping.
- Do not remove the type plate of the luminaire.
- Please note the national installation and accident prevention regulations during installation. The installation must be performed only by a trained electrical specialist.
- Damaged cables may only be changed by trained electrical personnel.
- For improper installation or any subsequent change to the luminaire no liability is accepted.
- The light source of this lamp may be replaced only by the manufacturer or an authorized service technician or a similarly qualified person.
- LED lamps (without IP67 protection) must not be cleaned.
- Clean the luminaire regularly with a smooth damp cloth. Only use solvent-free cleaning agents. Attention: previously cut off the mains supply and allow system to cool down.
- To protect the surface from dirt and fingerprints, we recommend the use of protective gloves during installation.
- The disposal of the system must be carried out on the disposal of electronic products in accordance with the EU Directive WEEE (Waste Electrical and Electronic Equipment).
- In order to answer technical queries, please contact our project management respectively our worldwide branches and distributors. Please send your request to info@led-linear.com.

Mains voltage / connection

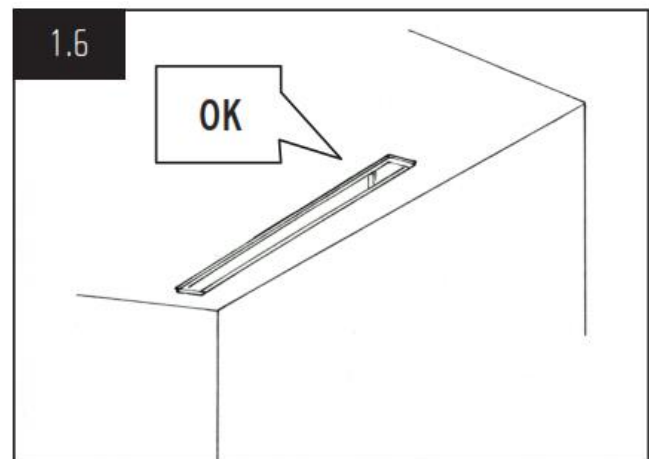
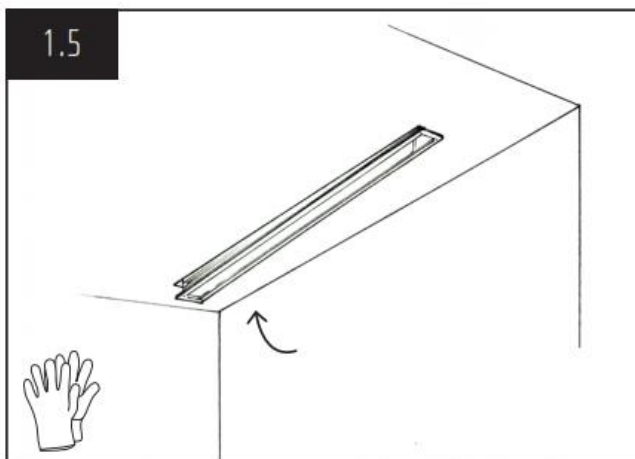
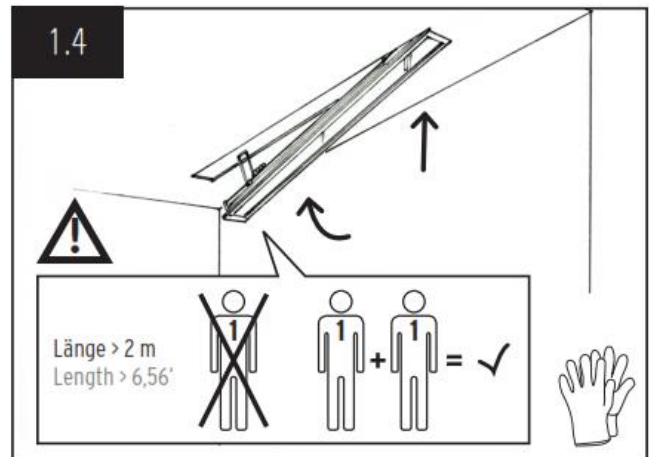
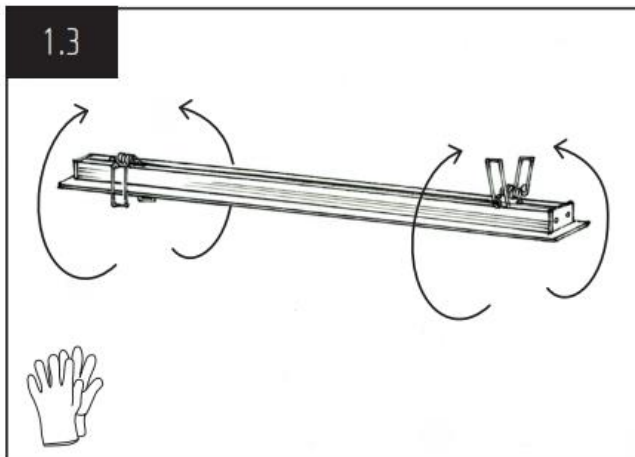
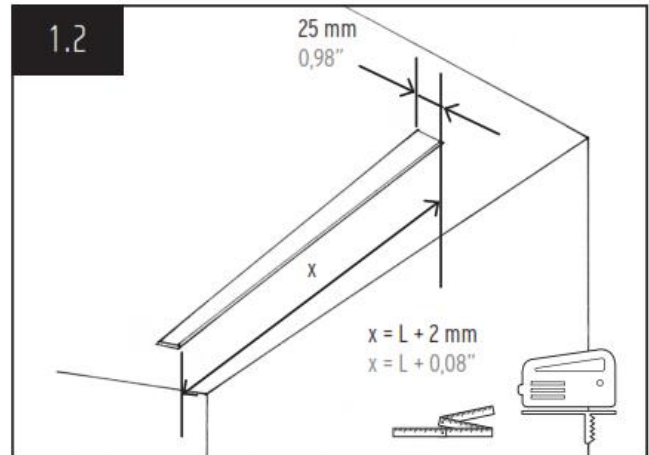
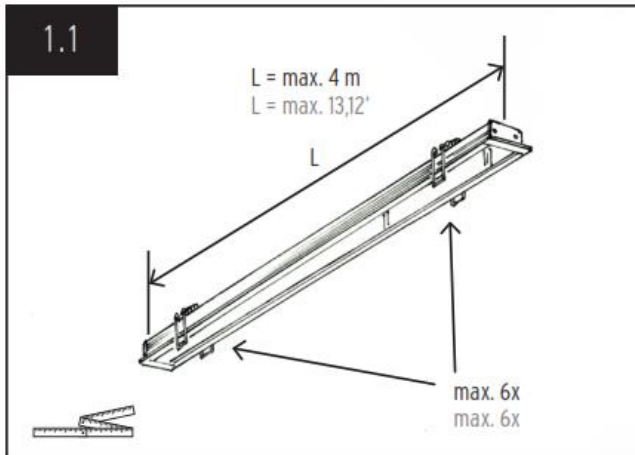
- Check that there is no voltage of the system prior to installation and maintenance. Beware of electric shock!
- Only use converters of the correct voltage.
- It is not allowed to use the luminaires with altered or damaged connector cables.
- In case of a three-phase installation do not interrupt the neutral conductor of the electronic ballasts.
- Electrically operated (Constant Current) LED modules must not be secondary side connected.
- Avoid overvoltage at the electronic control gear.
- The cable must not cover the light-emitting portion.
- Connecting and disconnecting the luminaire and the control gear under present voltage can cause damage to the components.
- Mismatched luminaires and control gears can damage each other.
- Wrongly polarized cables damage the luminaire.
- The installation of a Dali system may only be performed by trained personnel. Pay attention to any necessary mains voltage resistance of the Dali operating device.
- Only suitable dimmers must be used for dimming. Observe the manufacturer's instructions. Not suitable dimmers can damage the whole system.
- Terminals in accordance with EN 60998-2-1 or EN 60998-2-2 must be used for connecting the lamp to the power grid.

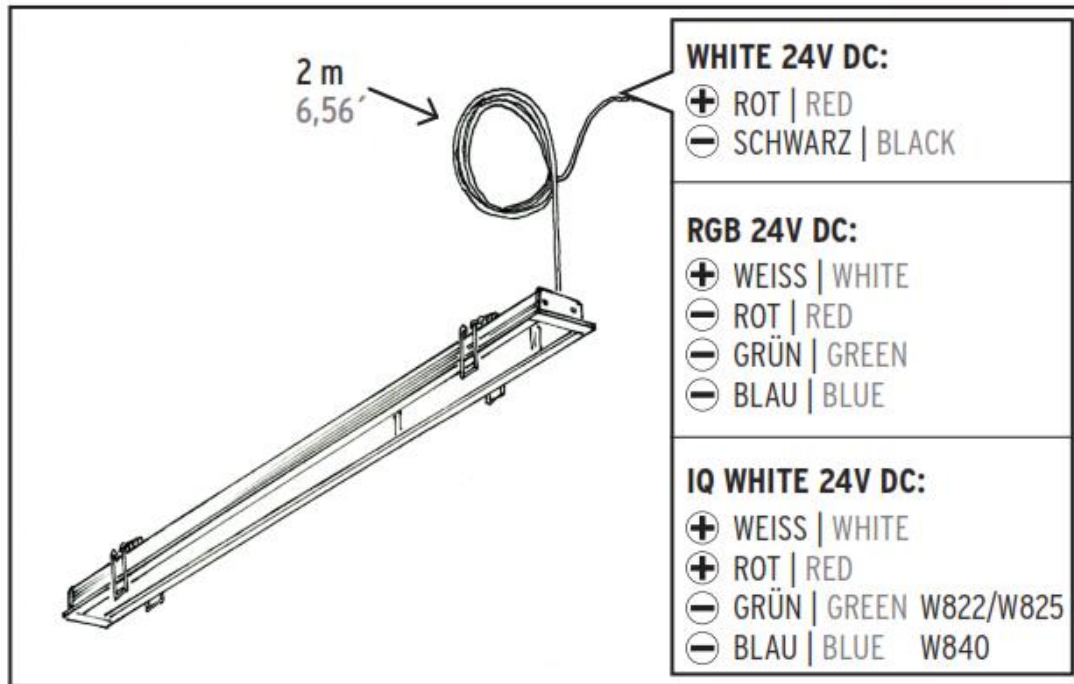
Environment

- Pay attention to the allowable ambient conditions under which the luminaire may be operated.
- Install the luminaire in a place where it is not exposed to direct sunlight or heat sources.
- Ensure that the recessed version is not covered with insulating material.
- Do not cover luminaire and control gear to prevent overheating.
- Pay attention to the minimum distance between luminaire and lighted object.
- Be careful with allowable floor loads in case of ceiling mounting of the luminaire.
- Exterior lighting should be used only after sunset until sunrise.

Dimensions

VERSION	L	W	H	KG	Cut Aperture
5.5W Body	370	32	25	0.9	360 x 25
9.5W Body	650	32	25	1.5	640 x 25
19.3W Body	1280	32	25	3.0	1270 x 25
28.9W Body	1910	32	25	4.5	1900 x 25





Maximum number of luminaires per driver

Driver Type	Code	360mm long 5.5W	640mm long 9.8W	1270mm long 19.3W	1900mm long 28.9W
Fixed output 20W	CNSLD20	3	2	1	
Fixed output 100W	CNSLD100	14	8	4	2
Fixed output 250W	CNSLD250	36	20	10	6
Dali dimming 80W	CSFDY80	11	6	3	2
Dali dimming 150W	CSFDY150	22	12	6	4

Note: Multiple rows should be wired in parallel, not in series

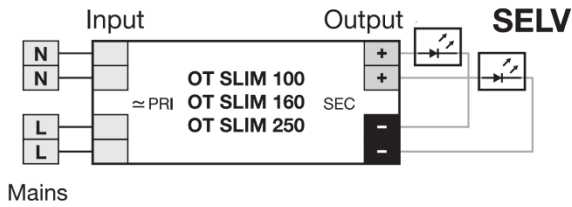
Maximum connected row length – 5m

Wiring Information

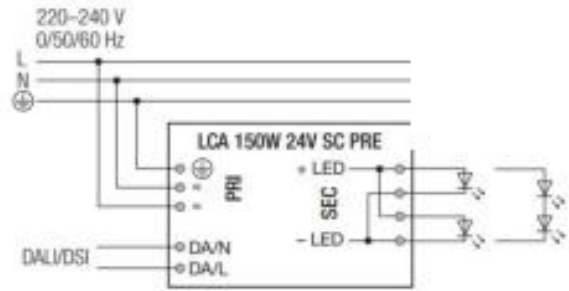
CNSLD20



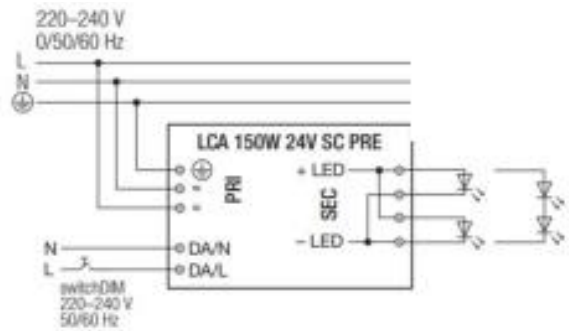
CNSLD100 / 250



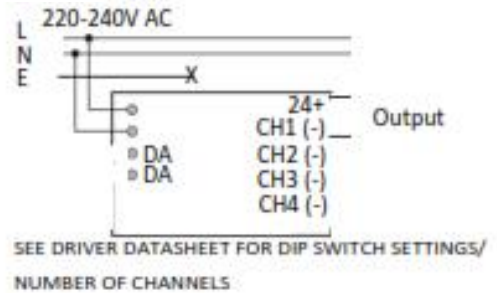
CSFDY150 DALI



CSFDY150 switchDIM



CSFDY80



Whitecroft Lighting Ltd.

Tel: +44 (0) 1613306811

Email: email@whitecroftlight.com

Website: www.whitecroftlighting.com

Starline Fixed IP40 Recessed v5