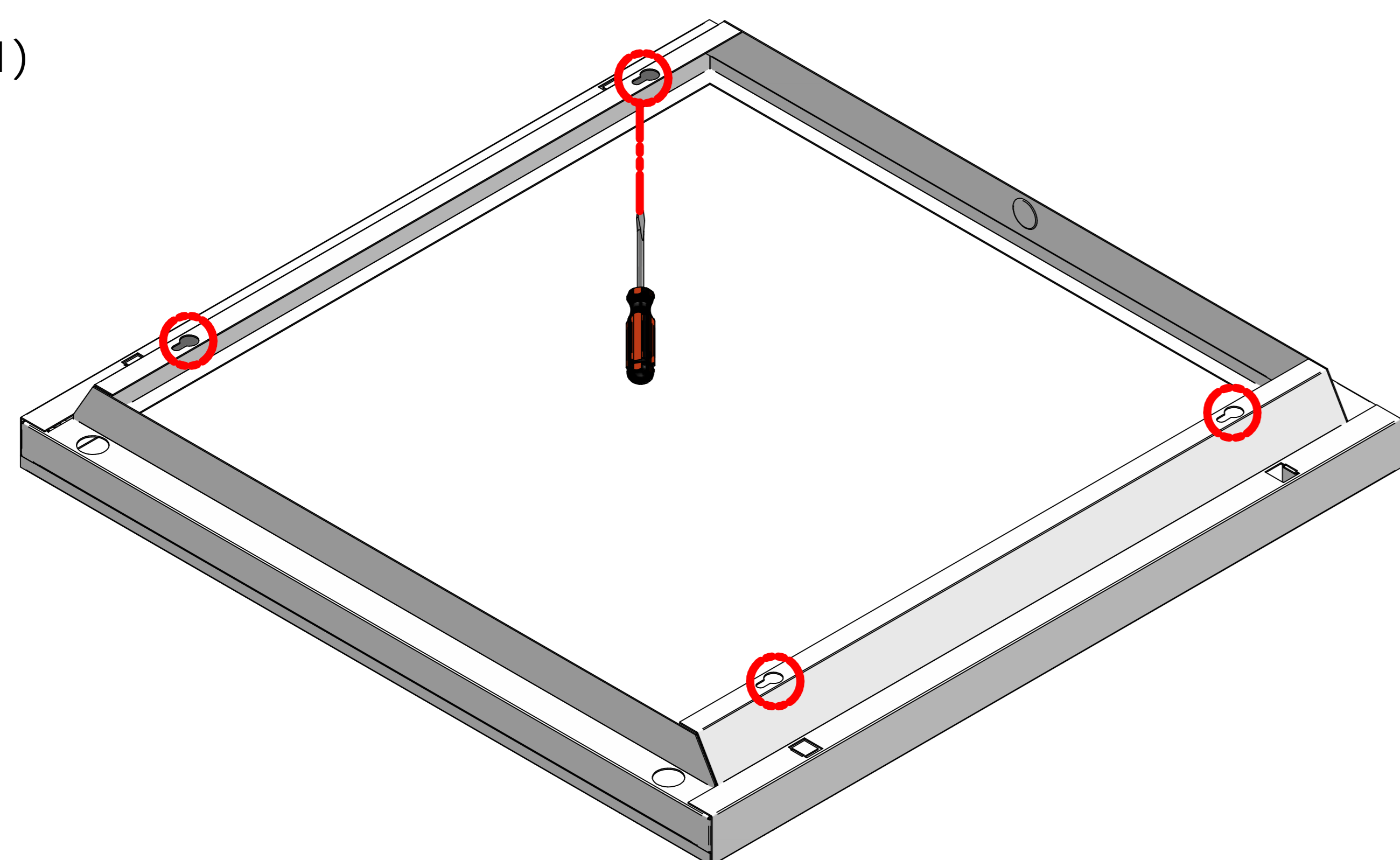


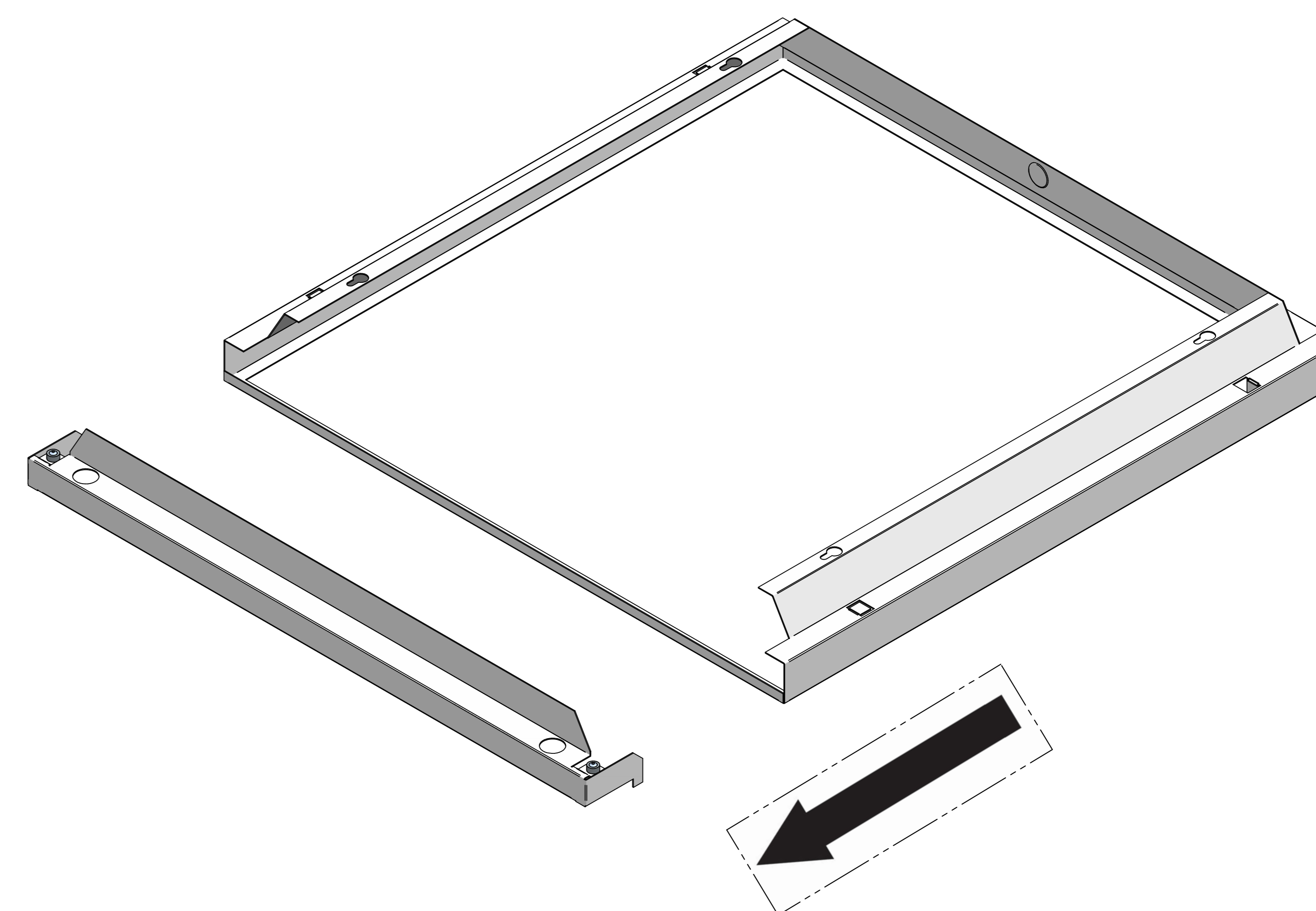
STANDARD TEGAN 2 FRAME

ASSEMBLY

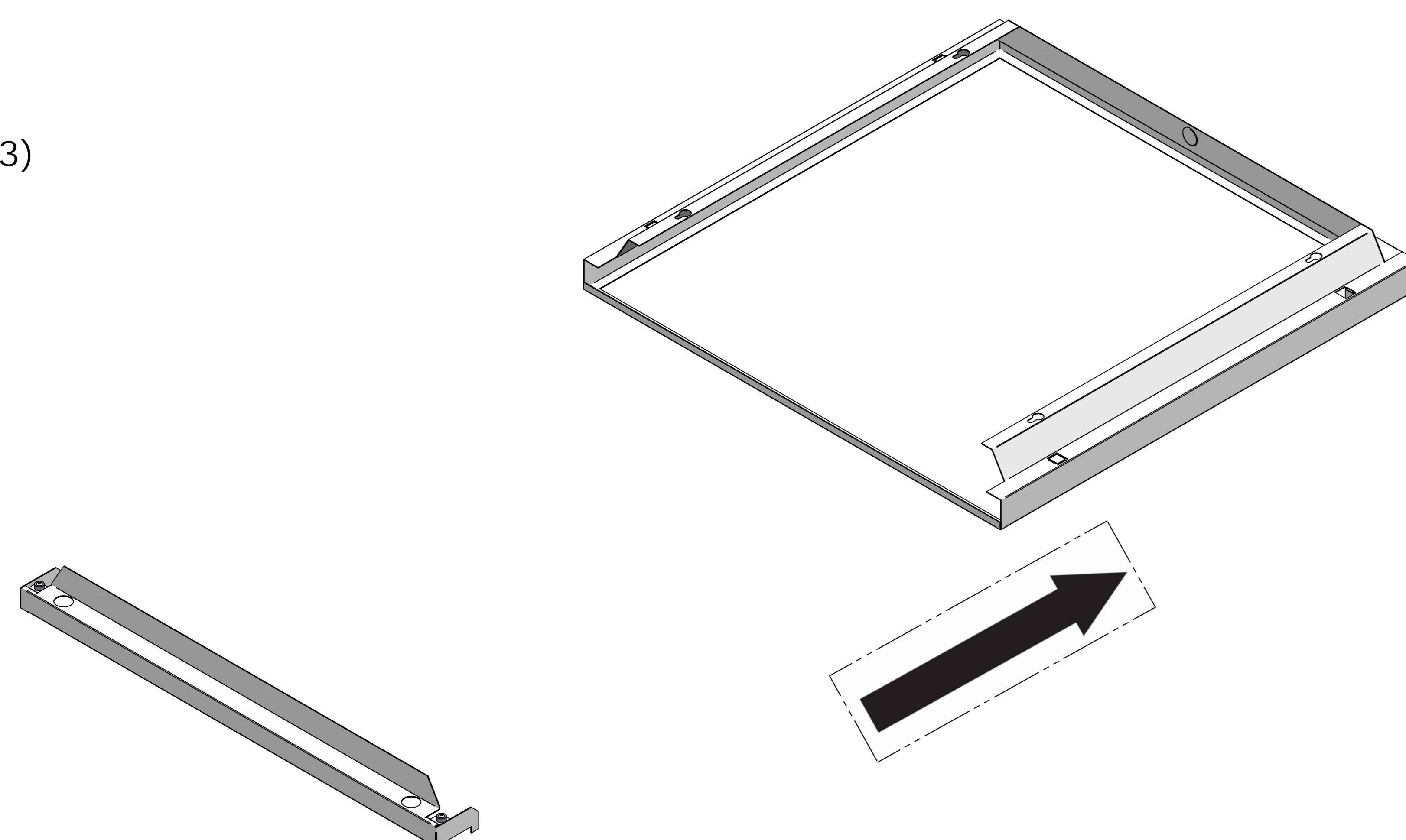
1)



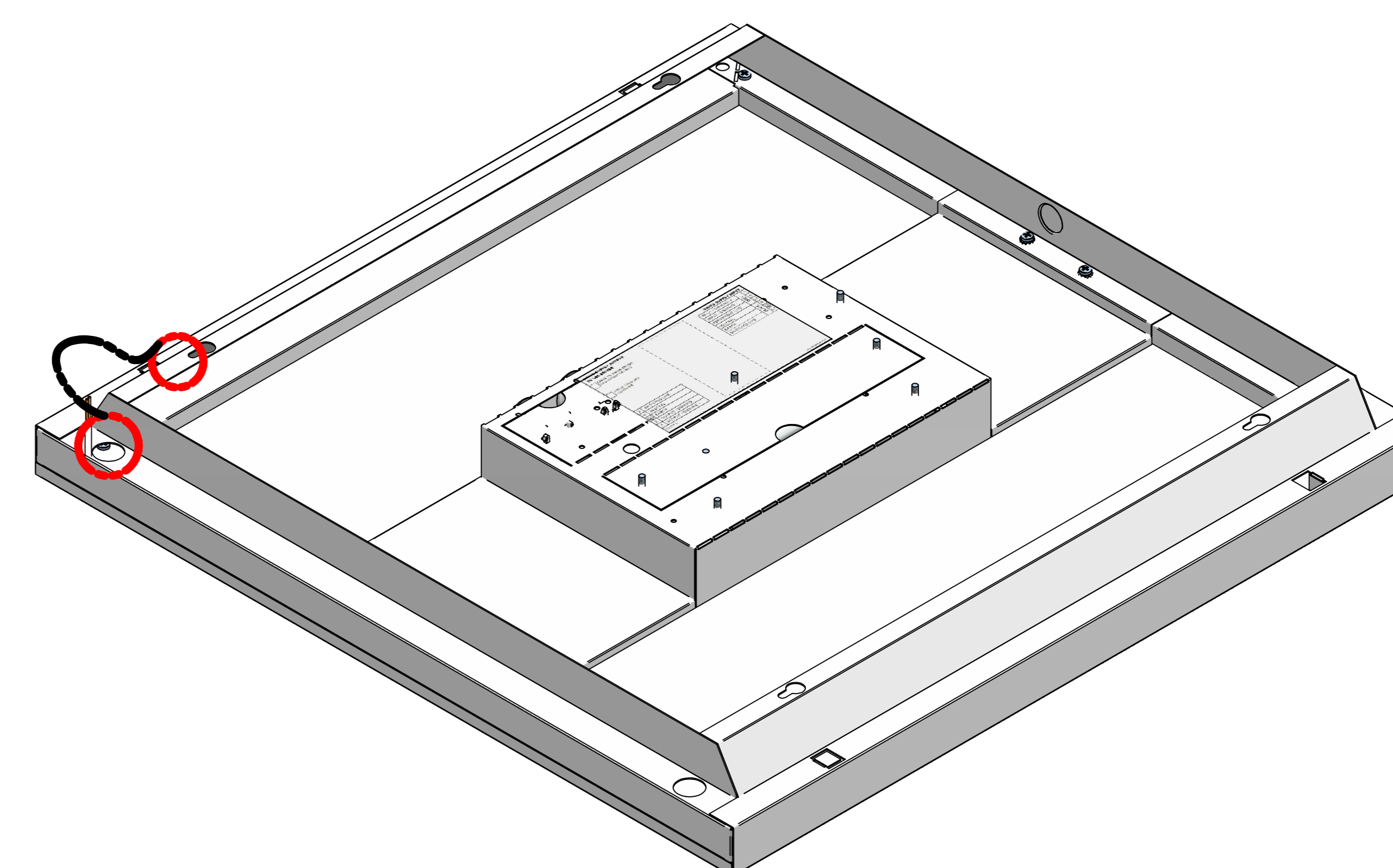
2)



3)



4)



Installation Methodology

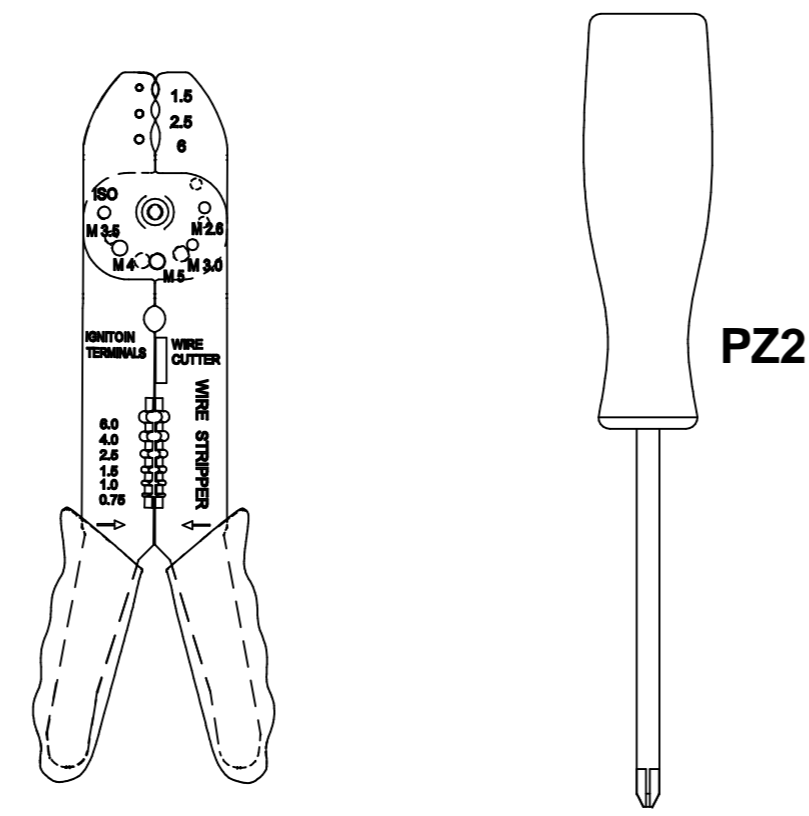
- 1) - Retain surface mount frame onto ceiling using the four suitable fixtures
- 2) - Remove side wall off the ceiling mounted frame
- 3) - Slide tegan slim into the frame and replace side wall
- 4) - Ensure that the dog hook is clipped onto both the sidewall and mounted frame.



## SPECIFICATION

Lamp type	N/A
Finish	RAL 9003
Materials	0.7mm Mild Steel
Weight	2.5kg.
Operating temp	0-30C
Connection	2.5mm <sup>2</sup> input terminal block
Ingress protection	FRONT IP44 REAR IP20

## TOOLS NEEDED FOR INSTALLATION



## GENERAL INFORMATION

- 1) A qualified electrician, in accordance with IEE wiring regulations should carry out connection to mains wiring.
- 2) Ensure that the rated voltage and frequency requirements are compatible with the available mains supply.

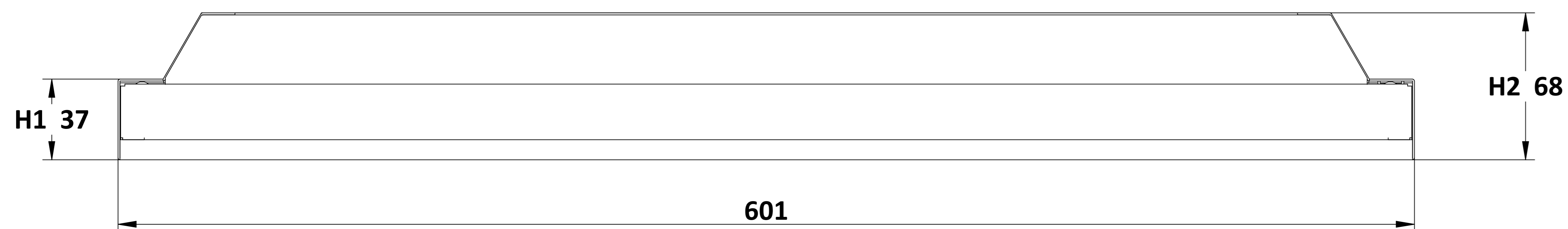
## OVERALL DIMENSIONS

L – 601

W- 601

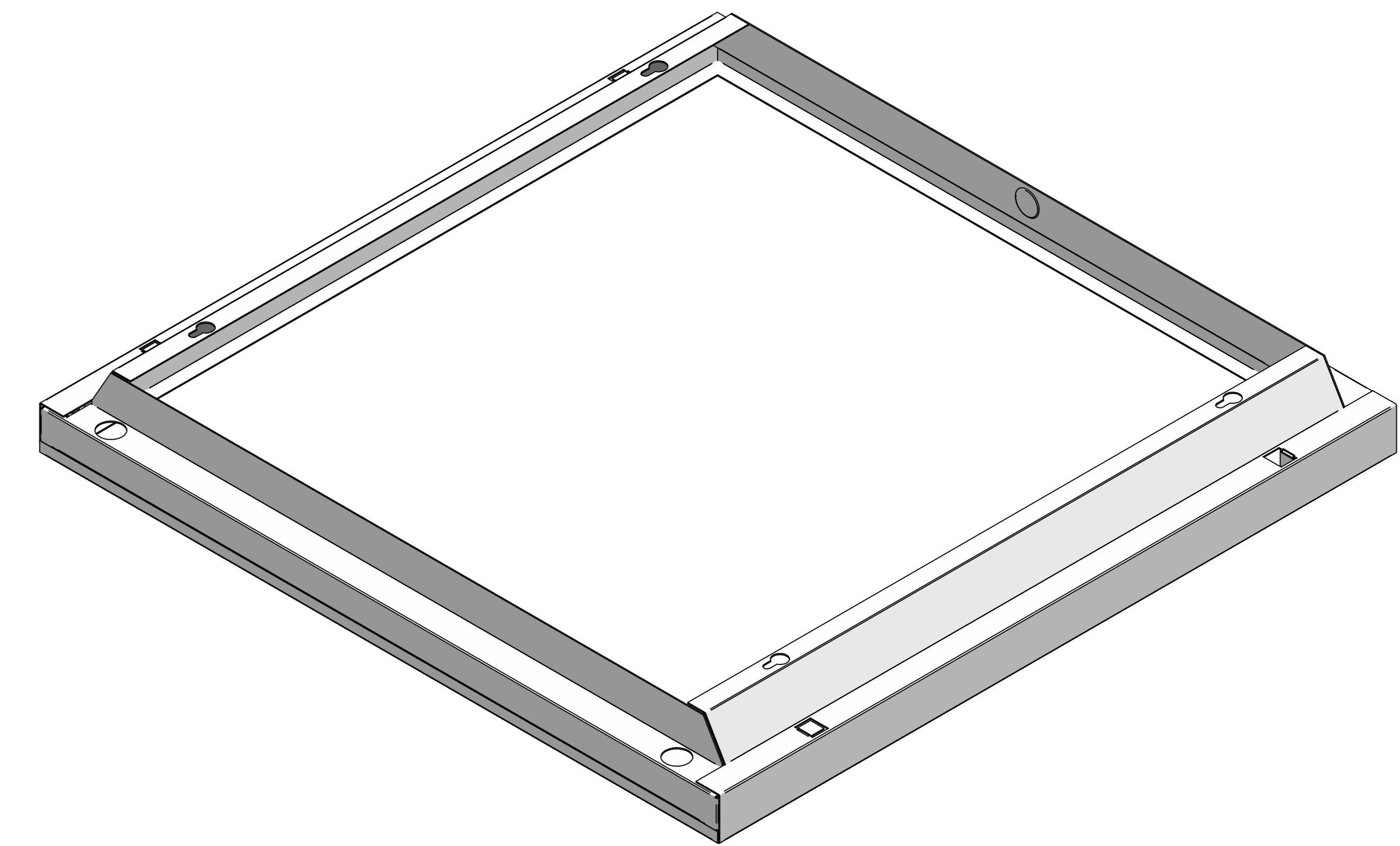
H1-37

H2-68



Whitecroft  
lighting

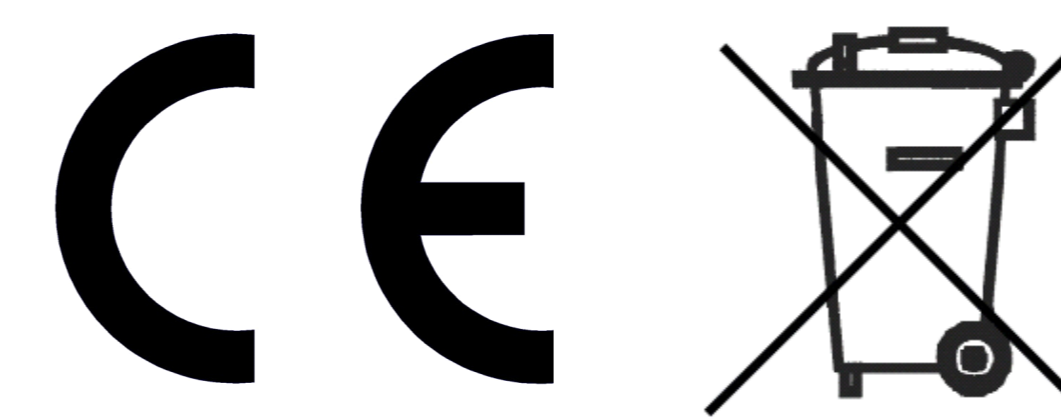
## TEGAN 2 600SQ Surface Frame



## Installation Instruction

PK-NPD130-IL-SUR

July 2021 - Rev E



## Whitecroft Lighting Limited

Burlington Street, Ashton-under-Lyne, Lancashire OL7 0AX  
Telephone +44 (0)870 5 087 087 Facsimile: +44 (0)870 5 084 210  
Registered No. 3848973 England Registered Office: As above