

# XR1

Compact LED Downlighter



## Optics

- Output options;
  - 3000k
    - 1176 lumens (12.8W)
    - 1991 lumens (20.5W)
  - 4000k
    - 1184 lumens (11.8W)
    - 1987 lumens (18.8W)
- Supplied complete with integrated white reflector
- Two colour temperature options:
  - 'Cool' white 4000K
  - 'Warm' white 3000K
- Emergency output - 314 lumens

# Body

- IP44 as standard
- Supplied complete with driver in fixed output or DALI
- Spun aluminium body finished white RAL 9003
- Counter sunk polycarbonate diffuser
- Integrated driver for flexibility and rapid installation
- For ceiling thicknesses of 1mm - 30mm
- Integral emergency options in 3hr or COMEPEPS (COMEPEPS can be wired as Easytest if required)
- Emergency variants supplied with Lithium Iron Phosphate (LiFePO4) battery technology; featuring extended design life reducing replacement frequency to lower total cost of ownership, and advancing sustainability through support for end of life recycling

## Order codes

### Order Codes (4000K)

				B50		
XR1 (4000K)	Fixed Output	3hr Emergency	LL/CW	L70	L80	L90
1184 lumens (11.8W)	XRH14KXT	XRH14KXTLEM	100	>100k	>100k	47k
1987 lumens (18.8W)	XRH24KXT	XRH24KXTLEM	106	>100k	>100k	47k

### Order Codes (3000K)

				B50		
XR1 (3000K)	Fixed Output	3hr Emergency	LL/CW	L70	L80	L90
1176 lumens (12.8W)	XRH13KXT	XRH13KXTLEM	92	>100k	>100k	47k
1991 lumens (20.5W)	XRH23KXT	XRH23KXTLEM	97	>100k	>100k	47k

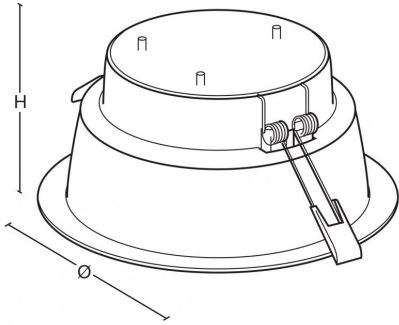
## Options

DALI	Replace H with Y	i.e XRY14KXT
COMEPEPS	Add suffix LEP	i.e XRH14KXTLEP

## LED Performance

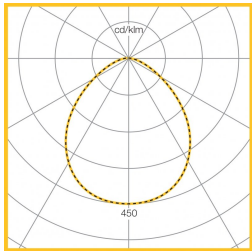
Colour Temp	RA (CRI)	Life expectancy	Colour consistency
3000K	>80	L80(50,000hrs)	MacAdam 3 SDCM
4000K	>80	L80(50,000hrs)	MacAdam 3 SDCM

# Dimensions

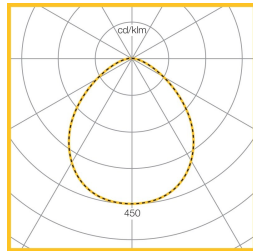


H	KG	KG(EM)	CAØ	Ø
90	0.35	1.35	165	192

# Photometric Performance

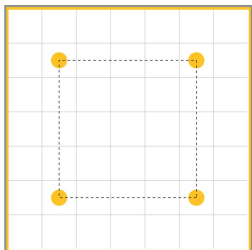


11.8W, LED,  
1184lumens  
LOR = 100%  
SHR MAX = 1.55



18.8W, LED,  
1987lumens  
LOR = 100%  
SHR MAX = 1.55

# Performance Guide



Lamps	18.8W LED
Illuminance	194 lux
Spacing	3.0m x 3.0m
Maintenance	0.8
Reflectance	70/50/20
Ceiling Height	2.7
Working plane	0.0m

## To Specify

Recessed LED IP44 downlight with spun aluminium body finished white and counter sunk polycarbonate diffuser. Supplied complete with remote driver, and suitable for ceiling thicknesses 1-30mm. Cut aperture 165mm  
– as Whitecroft Lighting XR1

---