

## PRODUCT DATA

Aerial LED Twin is a high output, high efficiency high bay luminaire for sports hall applications.

The luminaire is constructed from extruded aluminium, polycarbonate and acrylic materials.

Aerial LED Twin incorporates the latest high efficiency LED light engines and DALI drivers for optimum efficiency and luminaire life.

The luminaire includes a Hexaprism optic to suit most applications.

Aerial LED Twin can be wire suspended or surface / trunking / drop rod mounted by utilizing one of the optional suspension kits available.

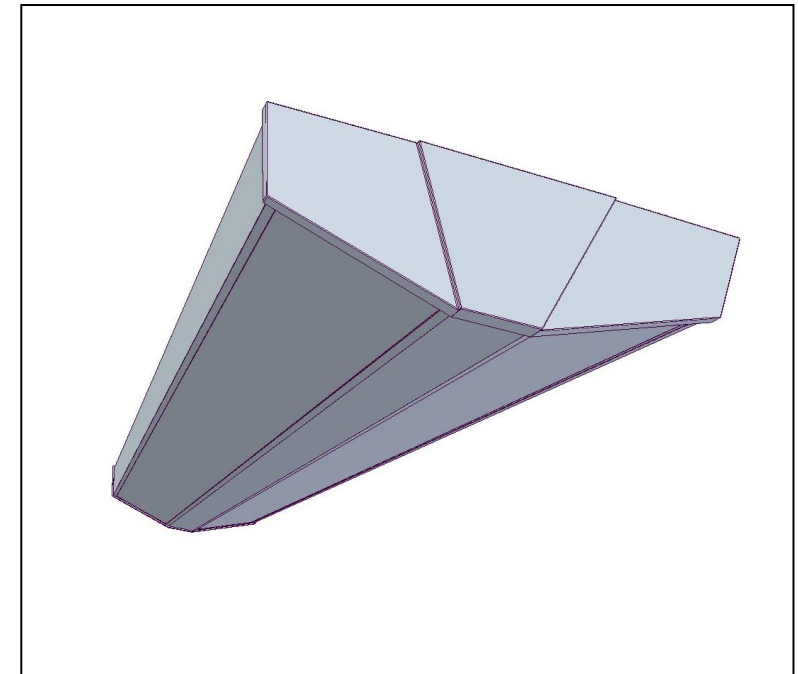
The luminaire is supplied complete with external plug and socket cable terminations for speed and ease of wiring.

## PRODUCT SPECIFICATION

Finish:	Body	- White high reflective paint
Materials:	Body Assembly	- Extruded aluminium
	Rear Backplate	- 0.9mm mild steel
	Diffuser Options	- 2.5mm Micro Prism Polycarbonate
	End cap	- Injection moulded white Polycarbonate.
Control Gear:	DALI addressable.	
Emergency:	3 hr integral emergency pack (Refer to website for options)	
Light Source:	4000k high output LED's	
Op. Temp:	0 - 40 °C (Model dependant, please refer to website)	
Power:	Please refer to website for latest Wattage	
IP Rating:	IP40 front & rear	
Connection:	Plug & Socket - 2.5mm <sup>2</sup> maximum cable	
Suspension:	Wire / Trunking / Surface / Drop Rod	

Whitecroft  
lighting

# Aerial Sport 2



## HIBAY LUMINAIRE INSTALLATION INSTRUCTIONS

PK/LEAFAERSPORT2

FEB 2018 - Rev C

**TECHNICAL SUPPORT**  
Telephone: 0161 331 5700  
E-mail: [technical@whitecroftlight.com](mailto:technical@whitecroftlight.com)  
<http://www.whitecroftlighting.com>



**Whitecroft Lighting Limited**

Burlington Street, Ashton-under-Lyne, Lancashire OL7 0AX  
Telephone +44 (0)870 5 087 087 Facsimile: +44 (0)870 5 084 210

Registered No. 3848973 England

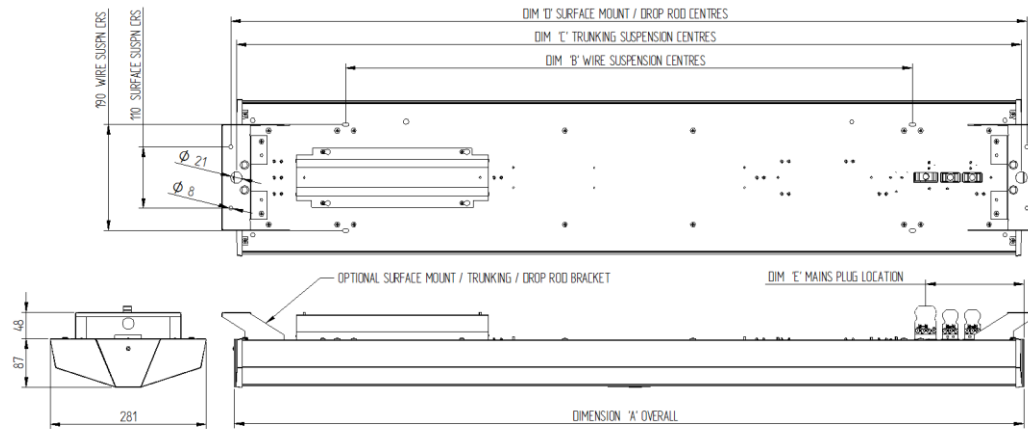
Registered Office: As above

## GENERAL INFORMATION

1. A qualified electrician, in accordance with IEE wiring regulations, should carry out connection to mains wiring.
2. This luminaire must be EARTHED.
3. Ensure that the rated luminaire voltage and frequency requirements are compatible with the available mains supply.
4. Cleaning of lenses should be carried out using a lint free cloth and anti-static cleaning fluid.
5. The luminaire body will become hot under normal operating conditions. Allow to cool before undertaking any necessary maintenance work.

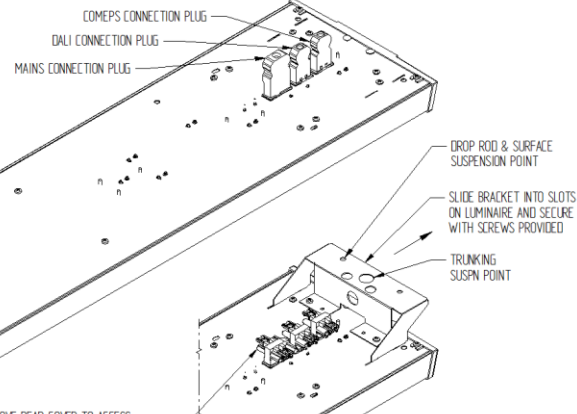
## PRODUCT DIMENSIONS (All dimensions are in 'mm'.)

DIMENSIONS							
TYPE	DIM 'A'	DIM 'B'	DIM 'C'	DIM 'D'	DIM 'E'	STD WEIGHT	EM WEIGHT
ATM#3#, ATBM#3#, ATBA#3#	1418	1018	1410	1430	176	11 Kg	12 Kg
ATM#2#	952	552	944	964	176	7.5 Kg	8.5 Kg
ATM#1#	486	360	478	498	195	4 Kg	5 Kg



### WIRE SUSPENSION KIT OPTION PART REF - AERSK1

- LOOP SUSPENSION CABLE AROUND SUITABLE MOUNTING POINT
- ADJUST SUSPENSION HEIGHT VIA GRIPPLE CLUTCH
- FIT WIRE SUSPENSION TOGGLES INTO SLOTS INDICATED



### SURFACE MOUNT AND TRUNKING KIT OPTION PART REF - ASLTRU

## INSTALLATION INSTRUCTIONS

### PRE INSTALLATION

1. Remove the luminaire from packaging and inspect the contents for damage.
2. Ensure that the supporting ceiling structure is of adequate strength to support the weight of the luminaire. (see table for weights)

### WIRE SUSPENSION KIT OPTION - 5m (supplied separate)

1. Loop the suspension cable around a suitable load bearing structure at the approximate centres indicated. Fit the gripple clutch & suspension toggle 'Y'splitter to the cable and adjust to the desired height making reference to the separate suspension kit instructions.
2. Support the weight of the luminaire from below and then offer the 'Y' splitter toggles through the slots indicated on the back of the luminaire at each end.
3. Check luminaire height and level if necessary via the adjustable clutch mechanisms (Nb support the luminaire weight when adjusting). Trim off any excess cable only when happy with the luminaire suspension height.

### TRUNKING /SURFACE MOUNT KIT OPTION - (supplied separate)

1. Slide the support brackets into the four slots at each end of the luminaire and secure in place via the two self tapping screws provided.
2. Fit the supplied tee piece plug adaptors to the sockets to enable side entry of the connection plugs.
3. If suspending from trunking use a suitable 20mm adaptor (not supplied).
4. If suspending via drop rods, use 8mm rod at centres indicated.(not supplied)
5. If surface mounted use suitable fixings at centres indicated.(not supplied)

**NB** – If the luminaire is being suspended via customer preferred method, eg drop rods or chains, then a surface mount kit must be utilized to facilitate fit. (ordered separate).

### GENERAL WIRING INFORMATION

1. Wire the plugs in accordance with the schematic detailed below noting location of Dali and COMECS sockets. Connect plugs into relevant sockets in the rear of the luminaire and test for correct operation.
2. If the luminaire is an emergency variant, connect the battery leads and mark the installation date. Access to batteries can be gained from the rear of the luminaire by removing the gear cover (4 screws). NB Battery connection must be undertaken before installation of luminaire if surface or trunking mounted.
3. If fixed output operation is required, installer must fit link cable within Dali plug 'N' & 'L' terminals as detailed below.(Nb Link not required for Dali operation)

**Warning: The LEDs in this luminaire operate at HIGH VOLTAGE. Ensure that the luminaire is isolated before opening.**

