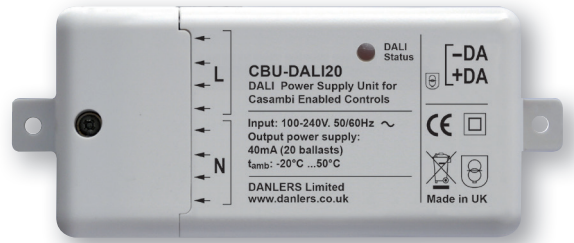


# ACONYCU

## DALI Power Supply Unit for use with Casambi controls

Input: 100-240 Vac 50/60Hz

# CASAMBI



PLEASE READ THESE INSTRUCTIONS BEFORE INSTALLING THE PRODUCT  
NOTE: ACONYCU is only compatible to work with CASAMBI enabled equipment

DALI Power Unit (ACONYCU) is designed for use with Casambi DALI dimmable devices. Configurable via the free to download Casambi APP on Google Play or Apple APP Store.



### INSTALLATION

To be installed by a competent person with reference to BS 7671 or equivalent local standards. If in doubt consult a qualified electrician.

- Plan where the ACONYCU is to be located (see diagram 1). Switch off supply and check for hidden cables and pipes.
- The ACONYCU should be connected as shown in diagrams 1 and 2:

L - Live in. N - Neutral in.  
DA1 - DALI (polarity independent)  
DA2 - DALI (polarity independent)

### OPERATION

To control the lighting load (or other connected load) the load must be wired to the ACONYCU switching relay as shown in diagrams 1 and 2.

The lighting can then be controlled wirelessly via other Casambi enabled controls and configured by the Casambi App.

### PRECAUTIONS

- Ensure wires and cables are securely held within the connection terminals.
- Please ensure the most recent edition of the appropriate local wiring regulations are observed and suitable protection is provided e.g. 10 amps over current, 1kV over voltage.
- Disconnect the ACONYCU from the circuit before performing insulation testing of the wiring circuit.**

### 5 YEAR WARRANTY

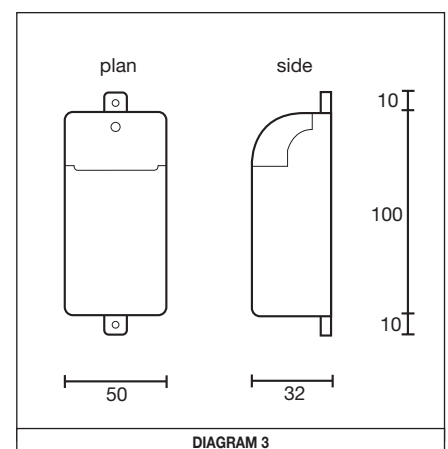
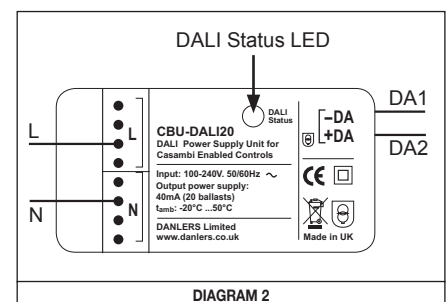
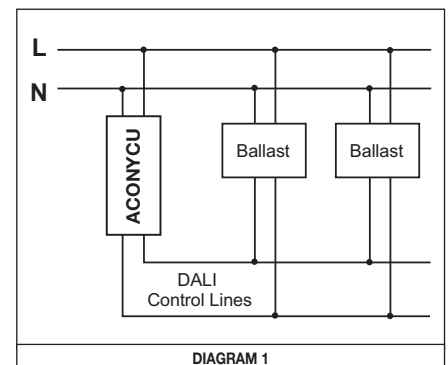
ACONYCU comes with a 5 year warranty from the date of manufacture and is CE marked.



### TECHNICAL DETAILS

INPUT	
Voltage:	100 - 240Vac
Frequency:	50/60Hz
Max. mains current:	20mA
Standby current:	16mA
OUTPUT	
Output:	DALI
Output Current:	40mA
RADIO TRANSCEIVER	
Operating frequencies:	2.4... 2,483 GHz
Max. output power:	+4 dBm
OPERATING CONDITIONS	
Note: The temperature difference between the detection target and the background must be at least 4 °C.	
Ambient temperature:	-20... +50 °C
Storage temperature:	-25... +75 °C
Max. relative humidity:	0... 80%, non cond.
CONNECTORS	
Terminal block Wire size:	0.5mm <sup>2</sup> - 2.5mm <sup>2</sup> solid or stranded
Wire strip length:	6-7mm
Tightening torque:	0,4 Nm/4 Kgf.cm
MECHANICAL DATA	
Dimensions:	120mm x 50mm x 32mm
Weight:	112g (unpacked)
Degree of protection:	IP40
Protection class:	Built-in Class 2
Material (casing)	Flame-retardant polycarbonate
Finish / Colour	Matt /White (RAL 9003)
Protection class:	Built-in Class 2
CONFORMITY AND STANDARDS	
EMC emission:	EN60669-2-1:2004 inc. A12:2010
EMC immunity:	EN60669-2-1:2004 inc. A12:2010
Safety:	EN60669-2-1:2004 inc. A12:2010
Environment:	Complies with WEEE and RoHS directives

Glow wire test: According to EN 60598-1 passed.  
DALI standard: ACONYCU is designed to supply control gear with DALI standard IEC 60929 (DALI VO) and IEC 62386 (DALI V1).



**Whitecroft Lighting Ltd,**  
Burlington Street, Ashton-under-Lyne, Lancashire OL7 OAX  
United Kingdom

T: +44 (0)161 330 6811 F: +44 (0)161 331 5855 E: email@whitecroftlight.com

27/11/18



Whitecroft-ACONYCU-i1