

Centurion L65

Wall mounted LED luminaire for perimeter lighting



Optics

Optics:

- 890 – 1780 lumens (12 – 24W)
- Emergency output 244 lumens
- 4000K
- Polycarbonate diffuser with covered top to limit upward light
- 50,000 hour life to L80B50

Body

Body:

- IP65 ingress protection
- IK09 impact protection
- Black polycarbonate body
- Lighting distribution optimised for building perimeter lighting
- Wall mounted
- Integral 3 hour and COMEPEPS emergency options
- Integral photocell option
- Fixed output LED driver as standard, DALI option

Order codes

Centurion L65

Version	Fixed Output	3hr Emergency	LL/CW	L80
890 lumen (12W)	CENLH14K	CENLH14KEM	74	50k
1780 lumen (24W)	CENLH24K	CENLH24KEM	74	50k

Options

DALI driver	Change 'H' to 'Y'	i.e. CENLY14K
COMEPS emergency*	Add suffix 'EP'	i.e. CENLY14KEP
Integral photocell**	Add suffix /PC	i.e. CENLH14K/PC

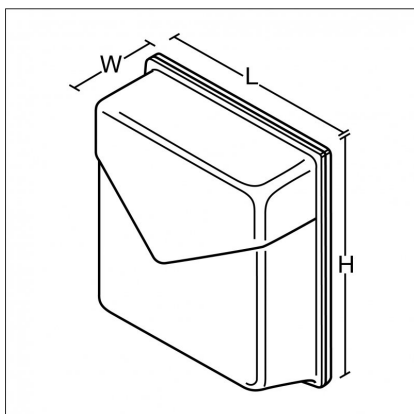
*COMEPS emergency only available with DALI versions

**Integral photocell not possible with DALI versions

LED Performance

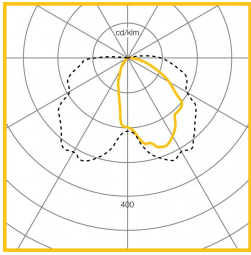
Colour Temp	RA (CRI)	Colour consistency
4000K	80	MacAdam 3 SDCM

Dimensions



L	W	H	KG	KG(EM)
260	152	315	2.2	3.1

Photometric Performance



4000K LED
1780lm | 24W |
7.6% ULR
LOR = 100%

To Specify

IP65, IK09 wall mounted LED luminaire for building perimeter applications. Black polycarbonate body with UV stabilised prismatic polycarbonate diffuser producing a wide, forward throw lighting distribution. High quality fixed output or DALI driver and LED module with a choice of light outputs for optimised lighting designs - as Whitecroft Lighting CENTURION L65
