

Command Elite COMDRA



DALI addressable PIR detector



Overview

- A compact ceiling unit that utilises a passive infra-red detector.
- Designed with springs to push fit into a ceiling
- Presence detection
- DALI consumption 15mA
- Status LEDs
- Programmable light on when occupied and off when empty
- Programmable time out period for when room is vacated

Order codes

DALI Addressable PIR Detector

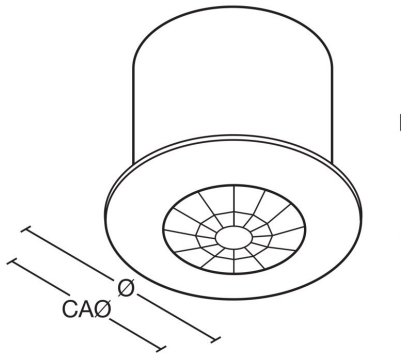
Recessed	COMDRA
Surface Mounting Box*	COMSM1

Options

CFL 3 Pole Add suffix /CFL3P i.e COMDRA/CFL3P

* Sold separately to COMDRA unit

Dimensions



VERSION	H	Ø	CAØ
Recessed	64	64	76
Surface	66	76	

To Specify

COMDRA - A compact DALI addressable PIR detector. Presence detection with status LEDs and programmable time out period when room is vacated. Recessed unit as standard with push fit springs to fit into ceiling. Surface mounting box to be supplied separately to convert to surface unit (COMSM1).