

Product Data Sheet

digidim

311

Ceiling PIR Detector

The 311 Ceiling PIR Detector is a compact, flush-mounted ceiling unit which provides energy-saving functions when used in a DALI system.

The unit contains these sensors:




- Passive infra-red detector (PIR)
- Infra-red receiver (for 307 IR remote control handset).


As a presence detector, the unit can turn lights on when a room is occupied and off when the room is empty.

The unit is fully compatible with Helvar's lighting system design and control software; Designer, and DIGIDIM Toolbox.

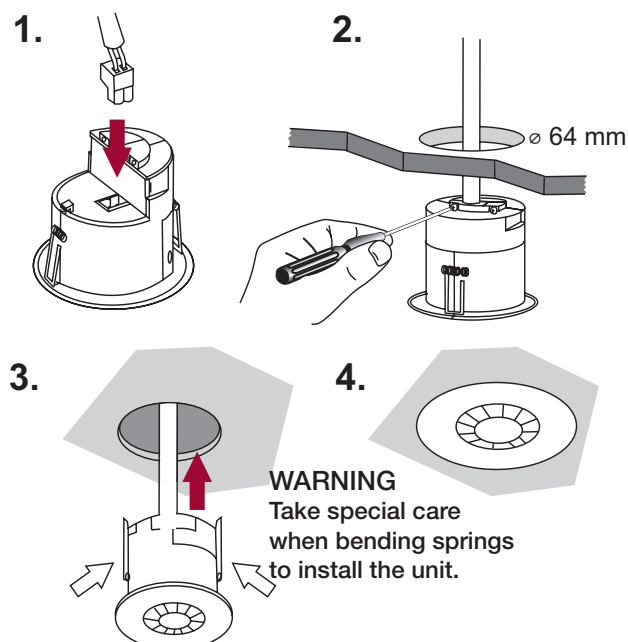
Key Features

- The PIR Sensor detects movement within the unit's detection range allowing load control in response to changes in room occupancy
- IR Receiver receives programming commands from the 307 infra-red handset (available separately)
- Programmable using the IR Remote. Full system access is available using Helvar's lighting system design and control software; Designer, and DIGIDIM Toolbox.
- Status LEDs which flash red to indicate the following:

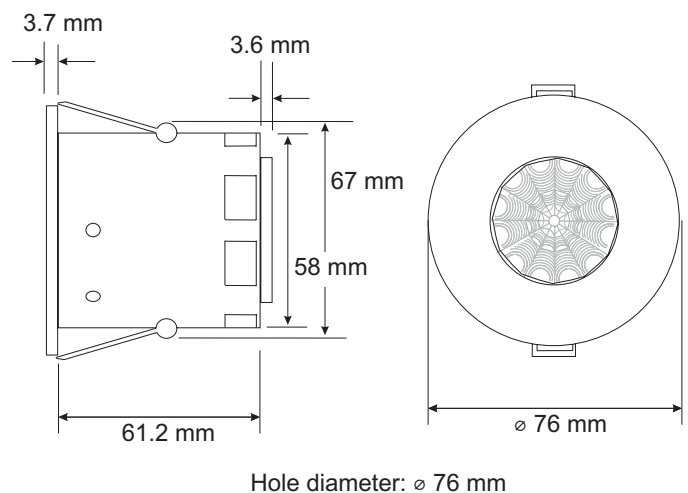
Walk Test LED active	 when movement is detected
Valid setting received	
Identify Active	

 = Red LED

Installation



Dimensions



Installation notes

- Position the sensor so that the occupants of the room are normally inside the detection zone.
- The detection pattern illustrated is based on a mounting height of 2.8 m. A lower mounting height will decrease the overall size of the detection zone.
- Do not position the sensor within 1 m of any lighting, forced air heating, or ventilation equipment.
- Do not fix the sensor to an unstable or vibrating surface.

Helvar
www.helvar.com

Product Data Sheet

Ceiling PIR Detector

digidim

311

Connections

DALI: Removable 2-pole connector
Wire size: 0.5 mm² - 2.5 mm²
Solid or stranded

Power cable rating: All cables must be mains rated

Power

DALI Supply Input: 13 V to 22.5 V
DALI Consumption: 15 mA

Mechanical Data

Dimensions: See diagrams
Material (casing): Non flammable ABS
Finish / Colour: Matt / White
Weight: 58 g
IP rating: IP30

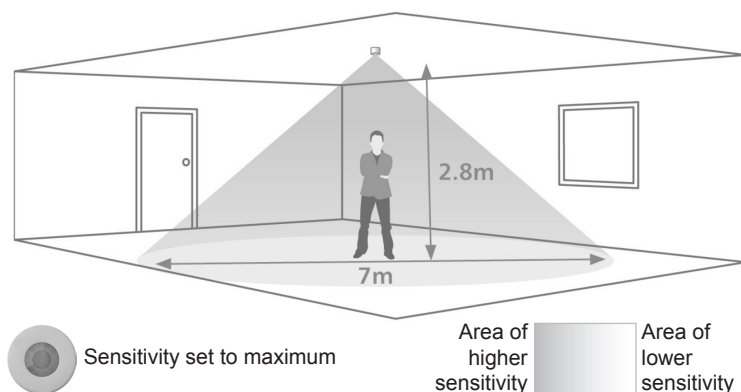
Operating Conditions

Ambient Temperature: 0°C to 35°C
Storage Temperature: -10°C to 70°C
Relative Humidity: Max 95%, non-condensing

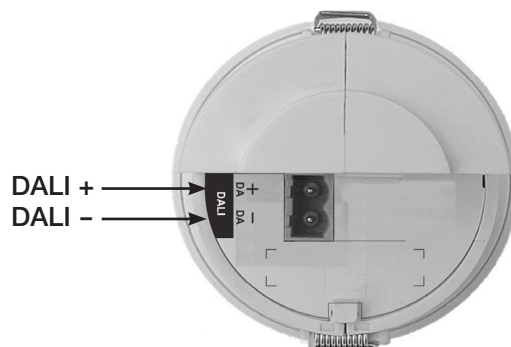
Conformity and Standards

EMC: 2004/108/EEC
LVD: 2006/95/EEC
Environment: Complies with WEEE and RoHS directives

Detection pattern



Connections



Product Information

