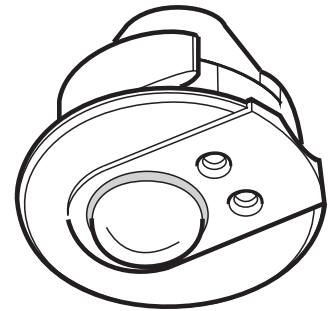


The DIGIDIM Multisensor is a compact unit containing the necessary sensors to provide energy saving functions when used in a DALI system. It contains a light sensor, a passive infra-red detector (PIR) and an infra-red receiver that allows the Multisensor to be operated by the hand held DIGIDIM remote controller. The PIR enables the system to detect when a room is occupied and the light sensor measures the level of ambient light available. The infra-red receiver and DIGIDIM remote controller allow the room occupants to set the required light levels and to carry out basic system programming. The Multisensor is designed to push fit into a ceiling or luminaire housing.



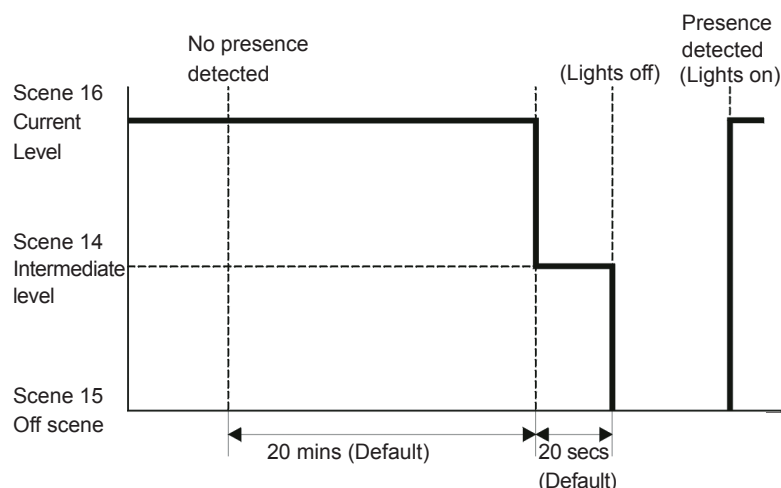
Key Features

- Presence detection has a default time out of 20 minutes and a test mode of 20 seconds.
- Programmable constant light control for maximum energy efficiency.
- Complete control using the hand held remote.
- Local switch can be fitted to provide ON/OFF and a manual dimming function if required.
- The Multisensor is fitted with five DIL switches which control the units programmable functions.
- Manual switch settings can be overridden by DIGIDIM Toolbox software to eliminate the need for access to multi-sensor after installation.
- The optional restrictor can be added to the Multisensor to provide more precise constant light coverage.

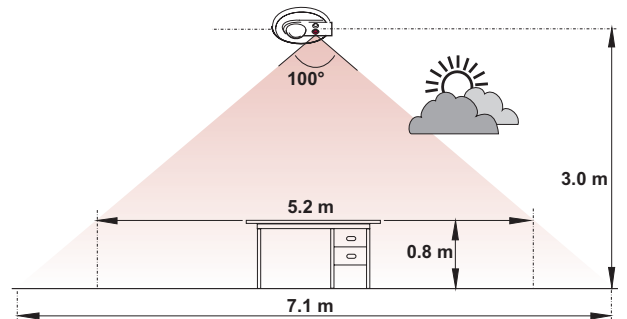
Additional Functions

- Most Multisensor functions programmable using the hand held remote, but full system access is available by using the DIGIDIM Toolbox software.
- If multiple linked PIR sensors are connected in one system they will communicate with each other and only switch off the loads when all are non-detecting.
- The advanced presence detection system utilises three programmable steps during the automatic ON/OFF sequence. These functions permit the user to determine how the loads react to the automatic presence detection commands from the Multisensor.

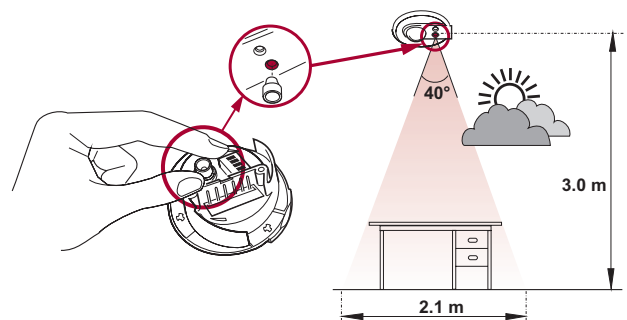
- Scene 14 Intermediate scene/light level prior to OFF
- Scene 15 Fully programmable OFF scene
- Scene 16 Last level set by user



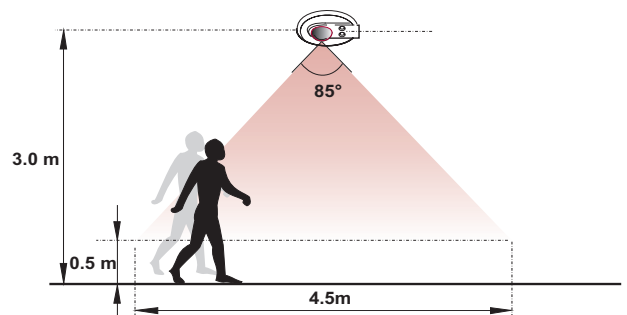
Constant Light Coverage without restrictor



Constant Light Coverage with restrictor



Presence Detection Coverage



Product Data Sheet

digidim

DIGIDIM Multisensor

312

Connections

DALI:	Removable connector block Wire size: 0.5 mm ² - 1.5 mm ² Solid or stranded
Local control:	2 wires Wire size: 0.5 mm ² - 2.5 mm ² Solid or stranded Maximum length: 50 m
Power cable rating:	All cables must be mains rated

Power

DALI Supply Input:	None: Power supply must be provided elsewhere in the system
DALI Consumption:	15 mA

Mechanical Data

Dimensions:	See diagrams
Material (casing):	Plastic
Finish / Colour:	Matt / White
Weight:	48 g without shroud; 54 g with shroud
IP rating:	IP30

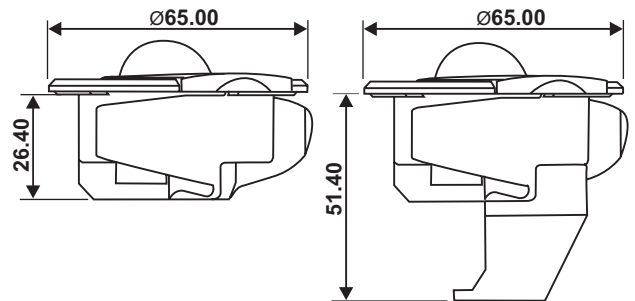
Operating Conditions

Ambient Temperature:	0°C to 50°C
Relative Humidity:	Max 90%, non-condensing
Storage Temperature:	-10°C to 70°C

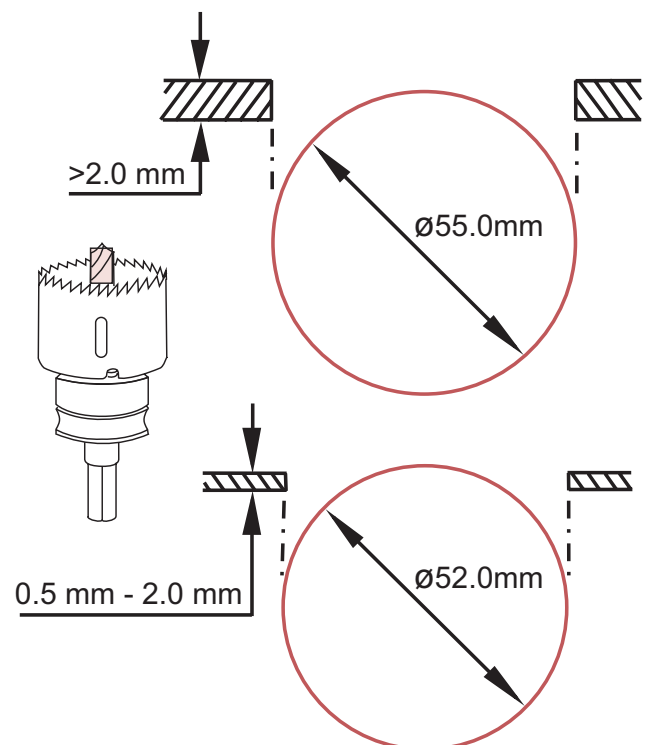
Conformity and Standards

EMC:	Emission	EN 55 015
	Immunity	EN 61 547
Safety:		EN 60 950
Isolation:		4 kV

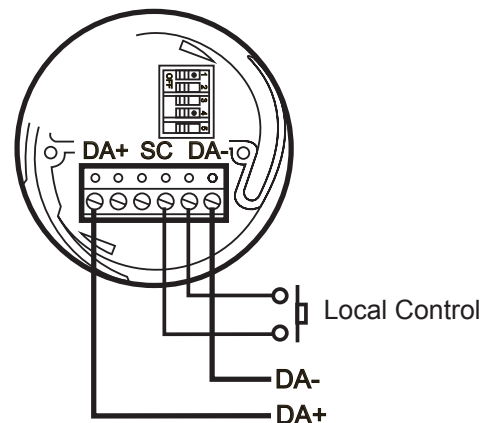
Dimensions



Installation



Connections



Helvar
www.helvar.com