

Command Elite COMDRE



DALI addressable directional microwave detector



Overview

- A compact recessed tilting microwave detector that emits low power microwave signals to detect movement. An adjustable sensor head allows the area of detection to be optimised for specific purposes.
- Designed with springs to push fit into a ceiling
- Movement detection with sensitive microwave sensor
- DALI consumption 40mA
- Status LEDs
- Programmable time out period for when room is vacated

Order codes

DALI Addressable Tilting Microwave Detector

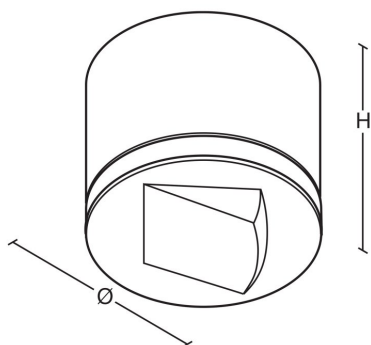
Recessed	COMDRE
Surface Mounting Box*	COMSM2

Options

CFL 3 Pole Add suffix /CFL3P i.e COMDRE/CFL3P

* Sold separately to COMDRE

Dimensions



VERSION	H	Ø	CAØ
Recessed	92	74	85
Surface	94	85	

To Specify

COMDRE - A compact tilting DALI addressable microwave detector. Adjustable sensor head. Movement detection with status LEDs and programmable time out period when room is vacated. Recessed unit as standard with push fit springs to fit into ceiling. Surface mounting box to be supplied separately to convert to surface unit (COMSM2).