

# Command Elite COMDRG



DALI addressable PIR detector



## Overview

- A compact recessed low profile microwave detector that emits low power microwave signals to detect movement.
- Designed with springs to push fit into a ceiling
- Movement detection with sensitive microwave sensor
- DALI consumption 20mA
- Status LEDs
- Programmable time-out period for when room is vacated

## Order codes

### DALI Addressable Microwave Detector

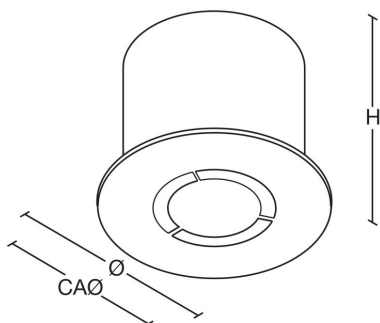
Recessed	COMDRG
Surface Mounting Box*	COMSM1

## Options

CFL 3 Pole                      Add suffix /CFL3P                      i.e COMDRG/CFL3P

\* Sold separately to COMDRG unit

## Dimensions



VERSION	H	Ø	CAØ
Recessed	64	64	76
Surface	66	76	

## To Specify

COMDRG - A compact low profile DALI addressable microwave detector. Movement detection with status LEDs and programmable time out period when room is vacated. Recessed unit as standard with push fit springs to fit into ceiling. Surface mounting box to be supplied separately to convert to surface unit (COMSM1).