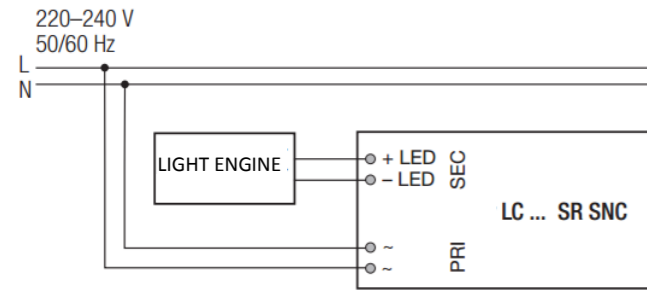
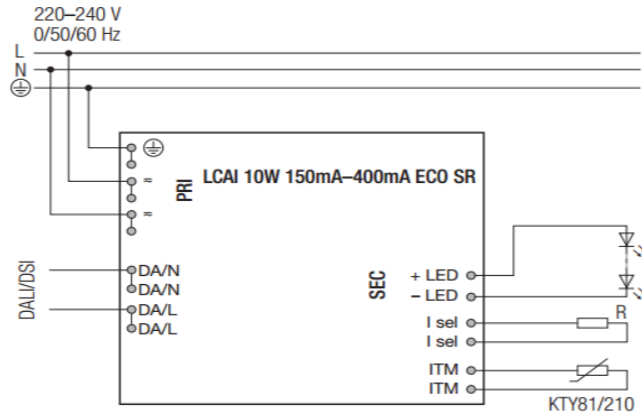
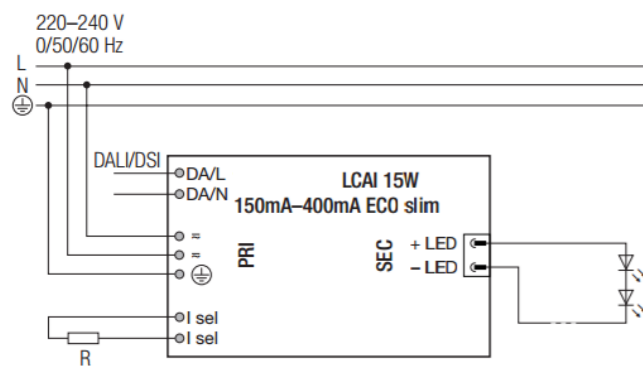


Wiring Diagrams

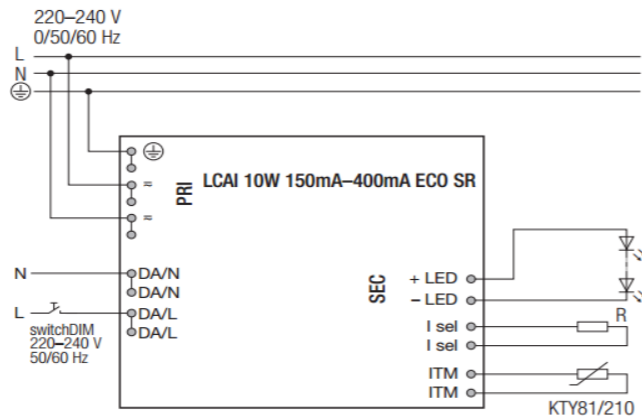
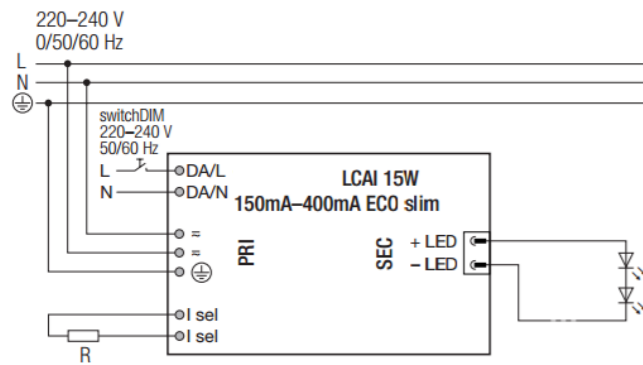
Fixed Output



DALI Models

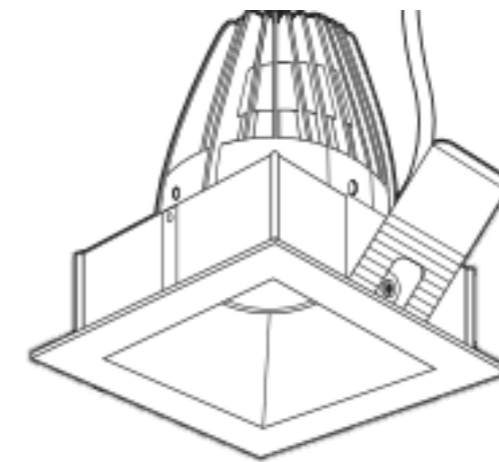


Wire DALI for switch dim (using retractive switch)



# Concert SL

## Installation Instructions



OCTOBER 2016 - REV B

990.0302.01

### Whitecroft Lighting Limited

Burlington Street, Ashton-under-Lyne, Lancashire OL7 0AX

Telephone +44 (0)870 5 087 087

Facsimile: +44 (0)870 5 084 210

Registered No. 3848973 England

Registered Office: As above

TECHNICAL SUPPORT

Telephone: 0161 331 5700

E-mail: [technical@whitecroftlight.com](mailto:technical@whitecroftlight.com)

<http://www.whitecroftlighting.com/>

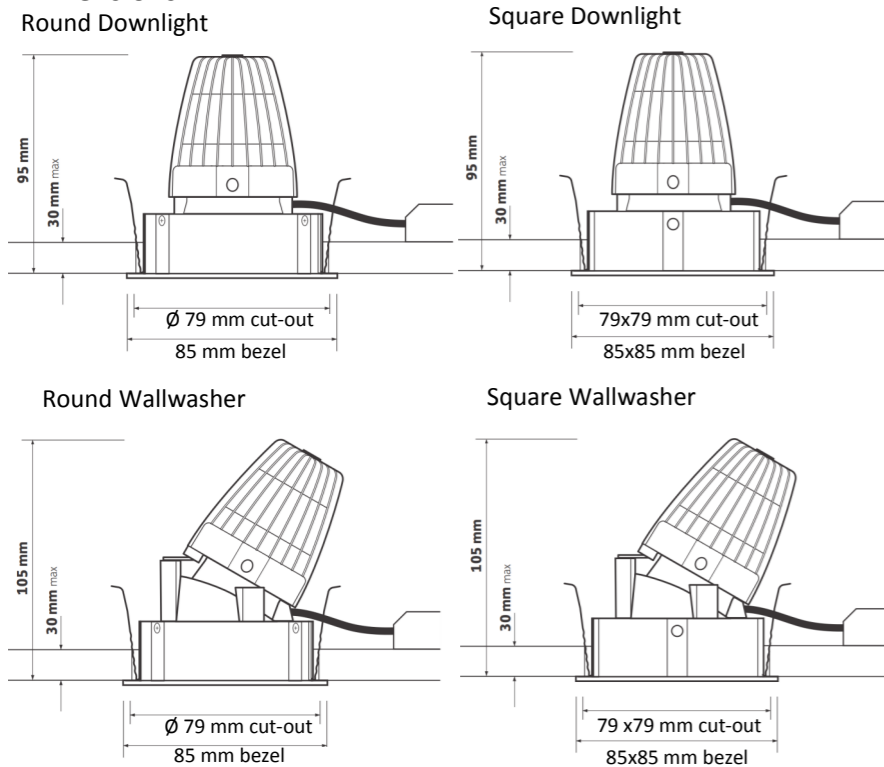


**IMPORTANT:** The luminaire must not be covered by any debris or insulating material. Ensure there is a minimum of 50mm air-space around the luminaire and control gear. Electrical termination must be carried out by a qualified electrician in accordance with the latest edition of the IEE wiring regulations BS7671.

**PLEASE RETAIN THIS GUIDE FOR FUTURE REFERENCE AND RECYCLE PACKAGING.**

### Product Specification

#### Dimensions

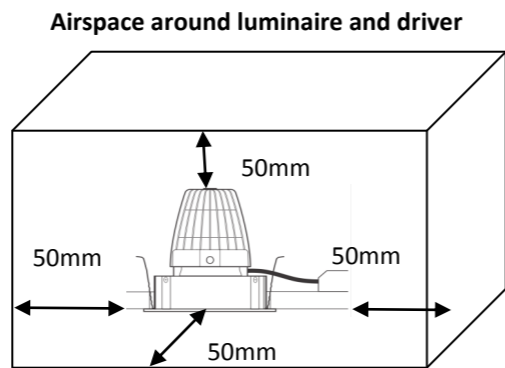


#### Specification

Lamp Type:- LED  
 Supply:-220-240V, 50-60Hz  
 Power Output:- 8W & 14W  
 Nominal Lumen Output:- 500 lm to 1000 lm  
 Colour Temperature:- 3000K & 4000K  
 Ingress Protection:- IP44  
 Trim Colour:- RAL9003 Signal White

#### GENERAL INFORMATION

- 1) A qualified electrician, in accordance with IEE wiring regulations should carry out connection to mains wiring.
- 2) Ensure that the rated voltage and frequency requirements are compatible with the available mains supply.
- 3) Cleaning of reflectors and lenses should be carried out using clean, soft and lint free cloths and anti-static cleaning fluid.
- 4) Do not carry out high voltage insulation test, i.e. 500/1000v this may damage internal components.



**ISOLATE MAINS SUPPLY BEFORE COMMENCING INSTALLATION**

Ceiling thickness:- MINIMUM 3mm\*, MAXIMUM 30mm

**\*A PATRESS IS RECOMMENDED FOR CEILING THICKNESS LESS THAN 3mm .**

#### A

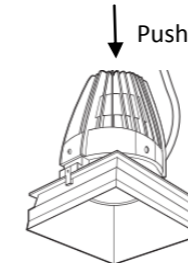
Round—Cut a 79mm circular hole using a hole saw.

Square— Cut a 79mm square hole .

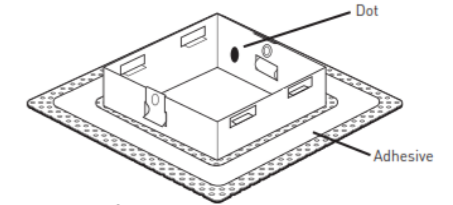
**To avoid damage to the ceiling tiles it is not recommended to remove the luminaire once installed into soft ceiling types . The luminaire and driver can be maintained from the adjacent ceiling tile or by removing the whole tile with luminaire attached.**

#### PLASTER IN ONLY

##### B1



##### B2



**IMPORTANT: When installing wall wash type luminaires the plaster in frame must be installed with the dot facing the wall to be illuminated.**

- Remove Packaging
- Push down on Luminaire to remove from the plaster in frame.

- Apply a bead of quick drying grip adhesive to the rear face of the plaster in frame.
- Locate into hole.
- Secure frame into hole using plaster in screws (by others)
- Once adhesive has cured apply PVA bonding coat and plaster up edge to frame.
- Apply finish to ceiling and allow to dry. **Plaster and paint must be dried completely before installing luminaire into plaster in frame. Otherwise this may invalidate warranty.**

##### C

- Wire mains flex into driver according to the applicable wiring diagram on the back of this leaflet.
- Connect flex to mains supply.

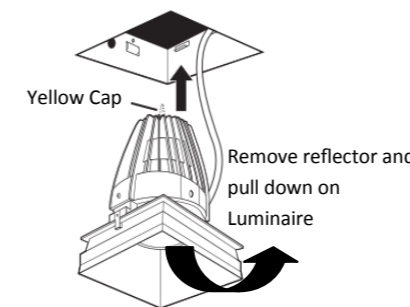
##### D



- Feed the driver and control gear into ceiling void, ensuring it is not covered by debris or insulating material and is correctly positioned.

#### PLASTER IN ONLY

##### E1



**IMORTANT— Align dot on luminaire to dot on frame before attempting to lock fitting into place.**

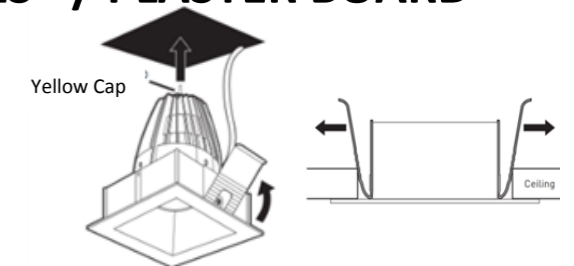
- Check the frame is clear of paint and plaster.
- Push the fitting into the frame. If there is a risk of the heatsink being covered insert the yellow cap into the top of the luminaire.

**To remove luminaire for maintenance:-**

**Twist out reflector then pull down on luminaire**

#### METAL PAN / SOFT CEILING TYPES\* / PLASTER BOARD

##### E2



**\*IMPORTANT :- To avoid damage to soft ceiling types care must be taken when releasing the spring into the aperture.**

- Squeeze ceiling springs and push the fitting into the ceiling void. **It is important that the springs are held from behind and only released once the luminaire is in place.** If there is a risk of the heatsink being covered insert a yellow cap into the top of the luminaire.
- Once in place make sure the luminaire is secure in the ceiling.



**Reinstate mains**