

Concert SL Square

Small aperture recessed square architectural downlighter range



White internal baffle



White baffle showing heatsink

Optics

- Light Output Options:
 - 500 - 600 lumens (8W)
 - 770 - 980 lumens (14W)
- Choice of 3000K or 4000K colour temperature
- Moulded polycarbonate reflector with medium beam distribution
- Low glare black internal baffle with soft white option

Body

- Die-cast white aluminium bezel
- Fixed output or Dali driver included
- Integral IP44 protective lens as standard
- White RAL Colour: RAL9003
- Class 2 double insulated wiring
- Ambient operating temperature between -25°C to $+25^{\circ}\text{C}$

Order codes

Downlighter, Black Baffle, 4000K

Downlighter, Black Baffle, 4000K	Square Fixed Output	LL/CW	L70	L80
600 lumen (8W)	LSDMBH14K	76	60K	49K
900 lumen (14W)	LSDMBH24K	63	55K	35K

Downlighter, White Baffle, 4000K

Downlighter, White Baffle, 4000K	Square Fixed Output	LL/CW	L70	L80
650 lumen (8W)	LSDMWH14K	83	60K	49K
1000 lumen (14W)	LSDMWH24K	70	55K	35K

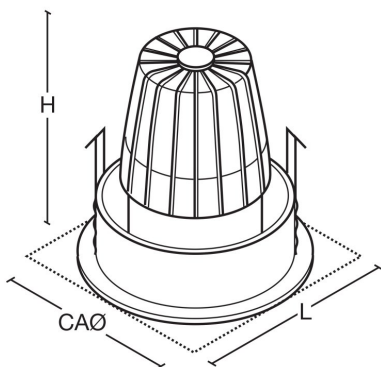
Options

3000K	Replace 4K with 3K	i.e LSDMBH13K
DALI	Replace H with Y	i.e LSDMBY14K

LED Performance

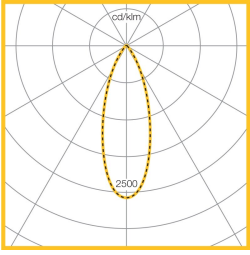
Colour Temp	RA (CRI)	Colour consistency
3000K/4000K	>80	MacAdam 3 SDCM

Dimensions



VERSION	L	H	KG
Downlighter	85	95	0.4

Photometric Performance



Downlighter 14W
LED 4000K 895
Lumen
LOR = 100.0%

To Specify

Recessed LED, low glare architectural downlighter, with cast aluminium bezel and polycarbonate reflector. Integral light engine and driver, IP44 rated as standard – as Whitecroft Lighting CONCERT SL SQUARE
