

## SPECIFICATION

Finish	Body	- Black with white bezel
Materials	Body	- Aluminium
	Reflector	- Aluminium
Module	Tridonic SLE	
Control	External driver	
Connection	3 Core mains lead	
Ingress Protection	IP20	
Weight	0.5kg	
Mains Frequency	50/60 Hz	
Voltage	220 - 240V	



# CONCERT XL



## LED DOWNLIGHTER

### Installation Instructions

August 2015 - 990.0254.01 Rev B



## Whitecroft Lighting Limited

Burlington Street, Ashton-under-Lyne, Lancashire OL7 0AX  
Telephone: +44(0) 870 5 087 087 Facsimile: +44 (0)870 5 084 210

Registered No. 3848973 England

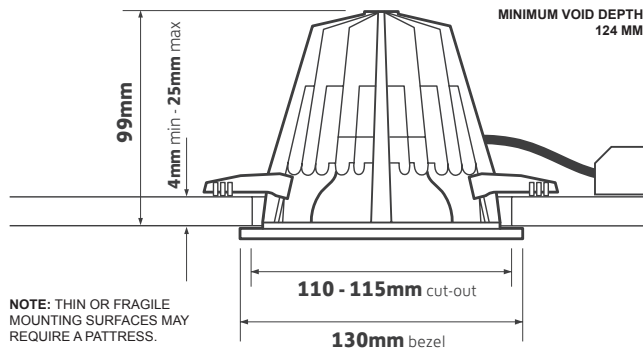
Registered Office: As above

## GENERAL INFORMATION

1. A qualified Electrician, in accordance with IEE wiring regulations, should carry out connection to mains wiring.
2. Ensure that the rated luminaire voltage and frequency requirements are compatible with the available mains supply.
3. This luminaire incorporates high frequency electronic control gear, do not carry out high voltage insulation tests, i.e. 500/1000V, as this may damage internal components.
4. Cleaning of reflectors and lenses should be carried out using clean, soft, lint-free cloths and anti-static cleaning fluid.

## PRODUCT DATA

Concert XL is a circular LED downlighter with a black aluminium body, finished with a white bezel and a multi faceted aluminium reflector.



Allow adequate ventilation. Under no circumstances should the luminaire be covered with insulation matting, soundproofing or similar material.

## ACCESSORY INFORMATION

The addition of CNX-IP54C – Clear glass disc attachment or CNX-IP54 - Opal glass disc attachment upgrades the product rating to IP54.

Some accessories are made from glass and can be easily scratched.

## INSTALLATION DETAILS

1. Isolate the mains supply to the luminaire before commencing any installation work.
2. Cut a 110mm circular hole at the desired location.
3. Connect the driver to the mains supply in accordance with the latest wiring regulations BS 7671.
4. Install the driver into the ceiling void, ensuring it is not covered by any debris or insulating material. (fig 1)
5. Offer the fitting into the ceiling void. If there is a risk of the heatsink being covered please insert a yellow cap into the top of the luminaire (fig 2).

fig 1

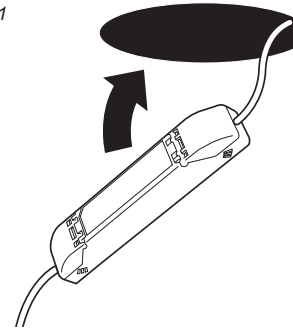
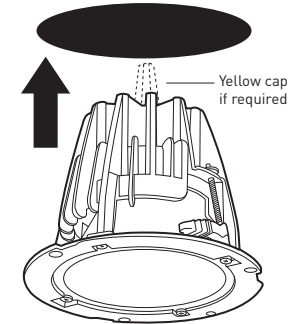


fig 2



6. Turn the two fitting screws clockwise to secure the luminaire into the ceiling. **DO NOT USE POWER TOOLS.** (fig 3)
7. Install the twist and lock bezel complete with any decorative accessories. Ensure the bezel is fully engaged. (fig 4)
8. Reinstate mains supply.

fig 3

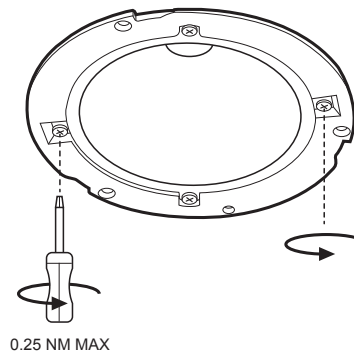
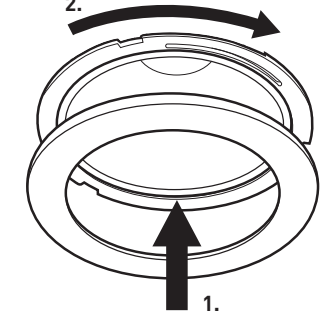


fig 4



\*ENSURE THE BEZEL IS FULLY ENGAGED.

## TECHNICAL SUPPORT

Telephone: 0161 331 5700  
E-mail: [technical@whitecroftlight.com](mailto:technical@whitecroftlight.com)  
<http://www.whitecroftlighting.com/>