

## GENERAL INFORMATION

- 1) A qualified electrician, in accordance with IEE wiring regulations should carry out connection to mains wiring.
- 2) Ensure that the rated voltage and frequency requirements are compatible with the available mains supply.
- 3) Cleaning of reflectors should be carried out using clean, soft and lint free cloths and anti-static cleaning fluid. Do not attempt to clean LED array.
- 4) Do not carry out high voltage insulation test, i.e. 500/1000V as this may damage internal components.
- 5) This product must be earthed.

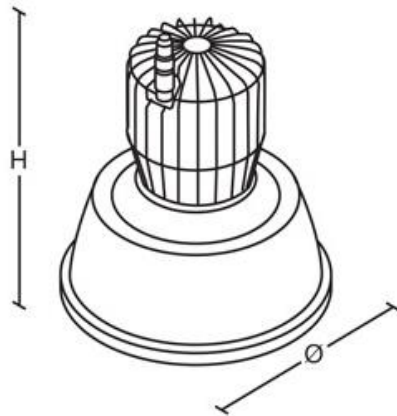
## SITE AND POSITIONING

- 1) Only mount the fitting at a point that is stable, secure and strong enough to maintain it in its desired orientation.
- 2) Do not position the fitting in an enclosure or other location which has a restricted air-flow.

## IMPORTANT INFORMATION

Do not touch or attempt to clean the LED arrays as they are easily damaged.

## PRODUCT DIMENSIONS



DIM	
H	525
DIAMETER Ø	500



# Elevation

March 2015 - Rev 3



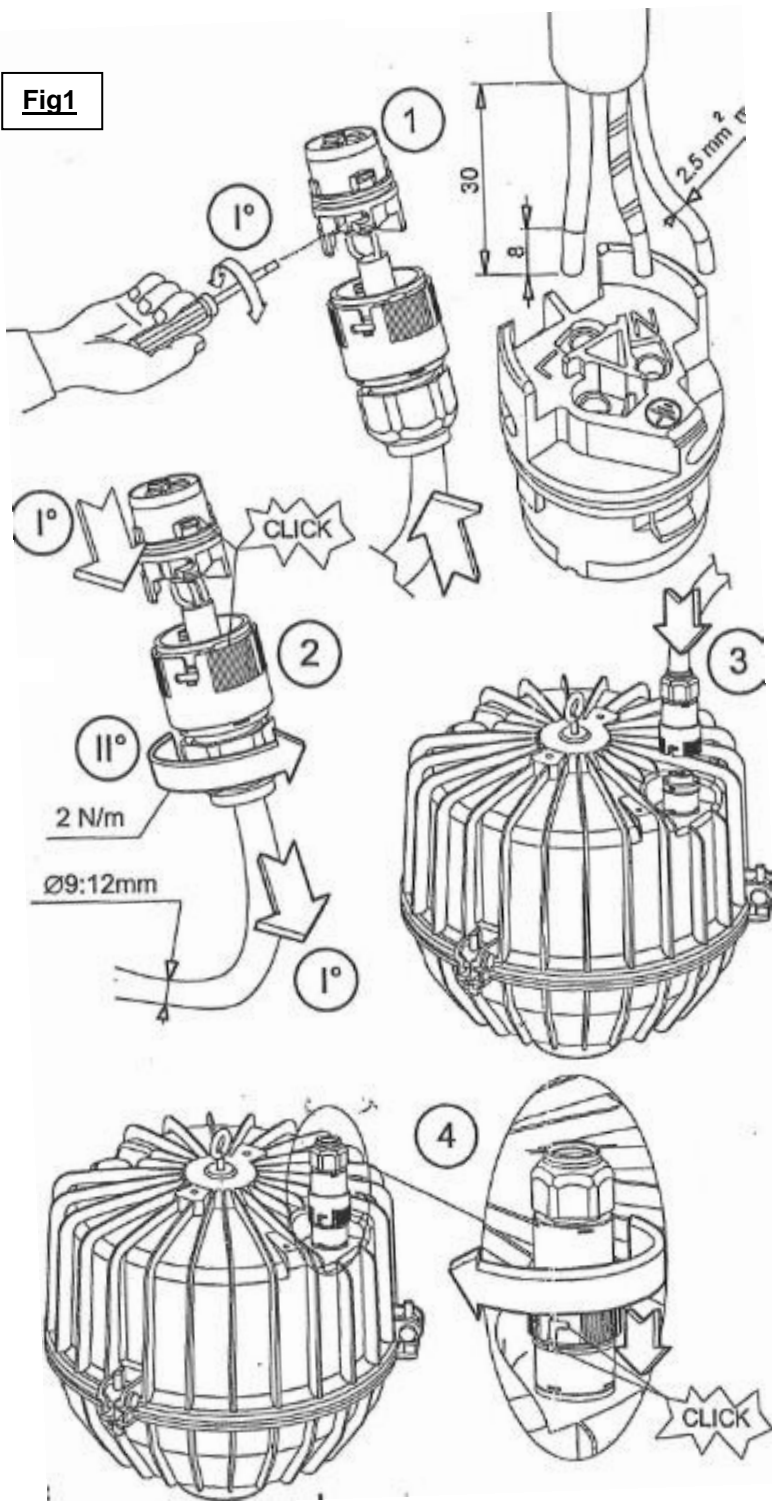
## Whitecroft Lighting Limited

Burlington Street, Ashton-under-Lyne, Lancashire OL7 0AX  
Telephone +44 (0)870 5 087 087 Facsimile: +44 (0)870 5 084 210

Registered No. 3848973 England

Registered Office: As above

Fig1



## INSTALLATION DETAILS

- 1) Remove fitting from packaging and inspect for damage. Ensure reflector is intact and without dents or deformities.
- 2) Ensure that the suspension kit is fixed securely to intended mounting surface before offering the luminaire up for installation.
- 3) Using **fig1** as guidance, locate the power lead and strip sleeving appropriately to wire into luminaire. Ensure connections are secure before reattaching gland/plug cover.

## SPECIFICATION

Optic	Anodised aluminium reflector with macro-faceted finish.
Diffuser	Tempered glass, 5mm thick.
Light Source	Latest LED technology, Ta-20 + 40C life 50,000HRS to 70% LOR.
Finish / Materials	Silver back aluminium body casting.
Weight	9kg
Supply	230V/50Hz
Power	Variable – dependent on lumen output (see below)
Operating temp	-20°C to 40°C Standard Fitting
Connection	IP66 connector
Ingress protection	IP65
LED lumen output	9156lumen – 131W 4000K Ra80 10680lumen – 131W 5000K Ra70 packages available