

# LDR 16

Small IP20 or IP65 down lighter

Whitecroft  
lighting

IP20

IP65

LED



## Optics

- LED Lamp options; (IP20)
  - 350 lumens (5W)
  - 575 lumens (8W)
- LED Lamp options; (IP65)
  - 160 lumens (5W)
  - 260 lumens (8W)
- 'Warm' white 3000K colour temperature
- GU10 LED lamp
- 36° beam angle
- LED lamp is phase dimming as standard. Compatible with most common dimmers, please contact Technical Support for further information

## Body

- Die cast aluminium fixed bezel finished in white
- Ceiling retention by wing mechanism
- Fixed bezel and LED lamp is supplied separately
- IP20 and IP65 bezels available
- Quick release lamp change
- For ceiling thicknesses 3mm - 17mm

## Order codes

### LDR 16

|  |               | LL/CW |
|--|---------------|-------|
| IP20 bezel for use with 350lm LED lamp | LDR-IP20W-350 | 70    |
| IP65 bezel for use with 160lm LED lamp | LDR-IP65W-350 | 70    |
| IP20 bezel for use with 575lm LED lamp | LDR-IP20W-600 | 75    |
| IP65 bezel for use with 260lm LED lamp | LDR-IP65W-600 | 34    |

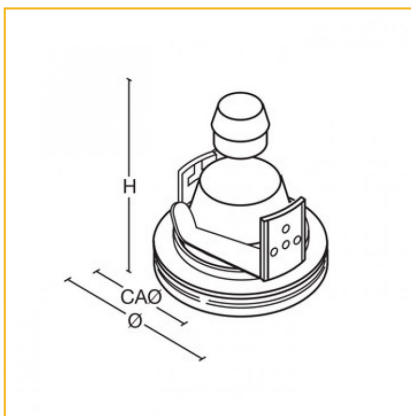
### GU10 LED Lamp and Driver

|    |                |
|----|----------------|
| 5W | LED/GU1035030K |
| 8W | LED/GU1060030K |

## LED Performance

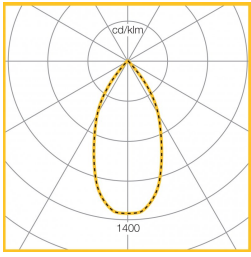
| Colour Temp | RA (CRI) | Colour consistency |
|-------------|----------|--------------------|
| 3000K       | >80      | MacAdam 6 SDCM     |
| 3000K       | >80      | MacAdam 6 SDCM     |

## Dimensions



| H   | KG  | Ø  | CAØ |
|-----|-----|----|-----|
| 100 | 0.4 | 82 | 72  |

## Photometric Performance



8W LED 3000k  
260 Lumens  
LOR = 100%  
SHR MAX = 0.78

---

## To Specify

Small diameter IP20/IP65 LED fixed down light. Die cast aluminium bezel finished in white with separate LED lamp. For ceiling thicknesses of 3-17mm – as Whitecroft Lighting LDR 16.

---