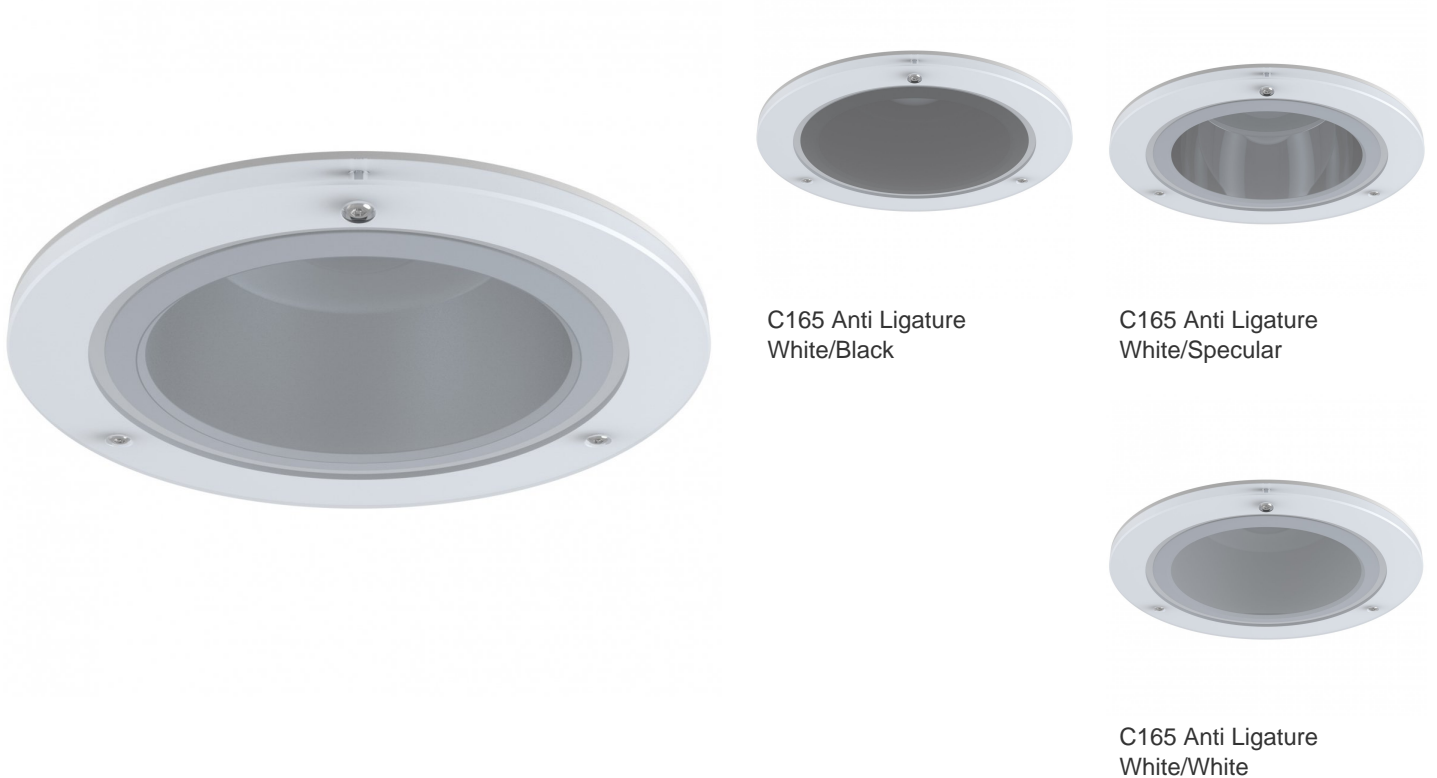


# Mirage 3 C165 Anti-Ligature



Anti-ligature attachment to complement the Mirage 3 C165 range



## Overview

Balancing the requirement to aid wellbeing and deliver a safe environment. The Mirage 3 C165 Anti-ligature kit is to be used in conjunction with the Mirage 3 C165 range which comprises multiple reflector finishes, a range of outputs and choice of beam distributions.

## Body

- Front bezel and diffuser is screw fixed to the rear ceiling plate and secured by retaining tamper proof screws
- Tp(a) clear polycarbonate diffuser
- Mirage 3 C165 luminaire to be ordered separately
- Requires HAL-KEY - to be ordered separately

# Order codes

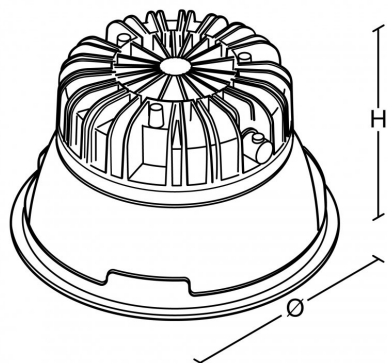
## Anti Ligature Kit

Anti Ligature Kit MA3-ALIGKIT

Access Tool HAL-KEY

Luminaire to be ordered separately - see Mirage 3 C165

## Dimensions



VERSION	Ø	H	KG	KG(EM)
C165 MRI	237	104	1	2