



Scribe

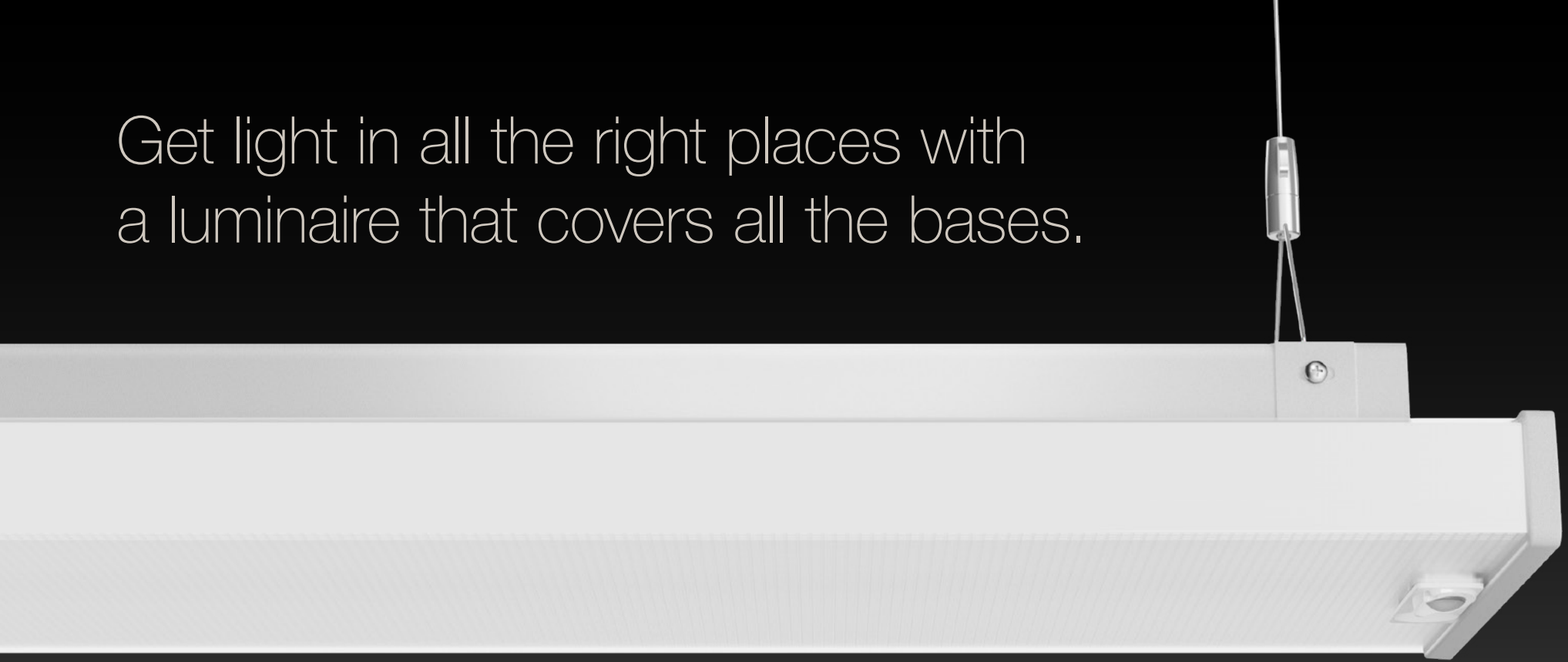
360° of sheer brilliance





Every care met
Every standard met
Every space illuminated

Get light in all the right places with
a luminaire that covers all the bases.



Scribe

Whether you're lighting
classrooms or workspaces,
Scribe goes beyond compliance
to create the optimal environment
to work, learn and collaborate.

Minimal design, maximum performance



Reduced material impact

with one, single sided LED board offering horizontal, vertical and upward illuminance.



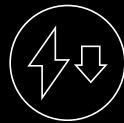
Optimised visual comfort

with tri-optic diffuser technology to create the perfect lit environment. Compliant to Lighting Standards LG5, PSBP, EN12464-1, BS5266.



Unparalleled light quality

through innovative 360° diffuser technology that reduces glare.



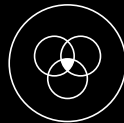
Optimised energy use

with intelligent up-lighting from the reverse side of the LED board.



Simple install and clutter free

aesthetic with Scribe's large luminous area supporting fewer installation points without compromising lighting quality.



Colour perfection

with temperature and rendition tuned for the space. Ra80 is perfect for education settings with the option of Ra90 for workspaces (3000k and 4000k available).



Light every space and every face

All too often lighting design only considers two-dimensions — light on the horizontal plane. But life doesn't just happen on desks and work surfaces. Classrooms and workspaces are multi-disciplinary, multi-dimensional environments that use vertical planes to present work and stimulus. And the most important vertical plane to light? Faces. With an estimated 55% of communication non-verbal*, lighting faces well is essential.

Scribe has been designed with all this in mind. Its tri-optic diffuser technology, opal sides that boost vertical illuminance, and intelligent up-lighting combine to the perfect light to live, work and learn.

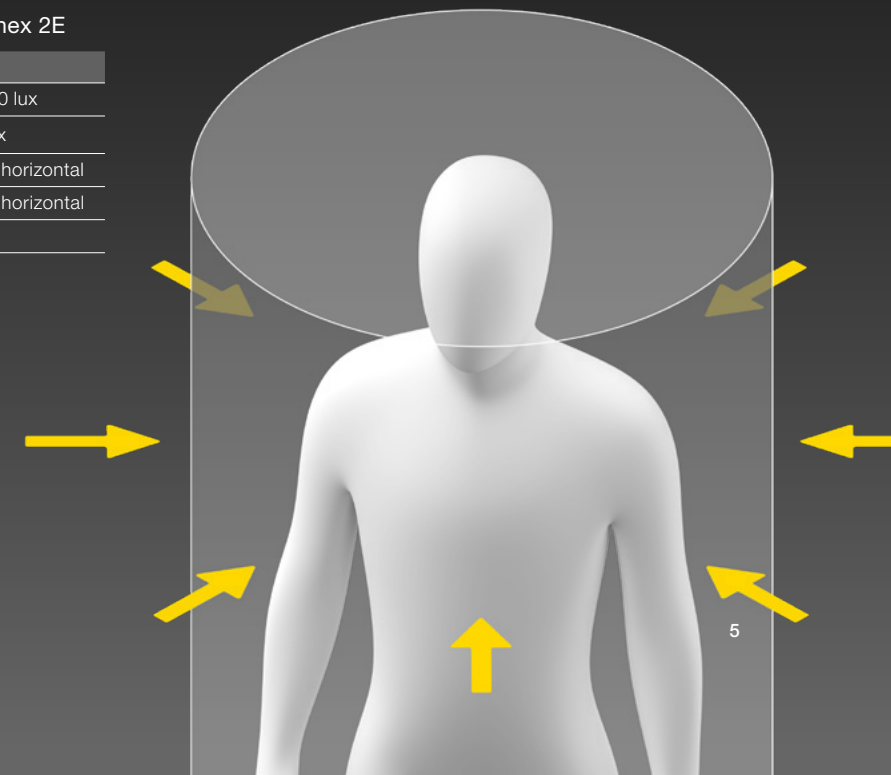
*Mehrabian, A., & Weiner, M. (1967). Decoding of inconsistent communications. *Journal of Personality and Social Psychology*

	EN 12464-1:2021	Society of Light & Lighting: Lighting Guide 7	British Council of Offices 2023
Horizontal/task (lux)	Filing, copying: 300 lux Writing, typing, reading, data processing: 500 lux	300 lux purely screen 500 lux mixed/paper-based	No less than 300 lux
Uniformity (task)	≥0.6	≥0.6	≥0.6
Uniformity (surround)	≥0.4		≥0.4
Walls (lux)	150	150	
Cylindrical (E cyl)	100	100	
Ceiling (lux)	150	150	
Discomfort glare (UGR)	≤19	≤19	
Disability glare (cd/m ²)	≤3000	≤3000	

Note: context modifiers may require alternative levels

Lighting Guide 5 and DfE Annex 2E

Metric	Targets
Horizontal illuminance	300/500 lux
Cylindrical illuminance	≥150 lux
Wall illuminance	50% of horizontal
Ceiling illuminance	30% of horizontal
Unified glare rating	≤19
Uniformity	≥0.6





We understand that construction sites are pressured environments balancing cost, time on site and safety. It's why Scribe is designed with straightforward installation in mind to de-risk your project timelines.

Mount it your way

With surface and suspended mounting options.

Simple installation, smart set up

With no special tools required, two-stage installation and intuitive set up of smart controls, Scribe keeps things simple on site.

Easy, on the spot maintenance

Removable light cartridge and battery tray gives quick and easy maintenance access - on the spot and at floor level.

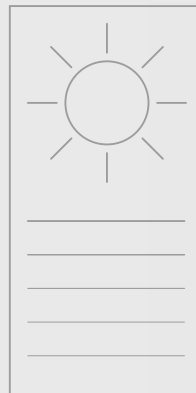
Out of the box operation

Wireless controls are integrated with quick smart phone set up to reduce commissioning time. Simple out of the box functionality, saving energy, time, risk from day one and into the future.

Streamline design, streamlined installation

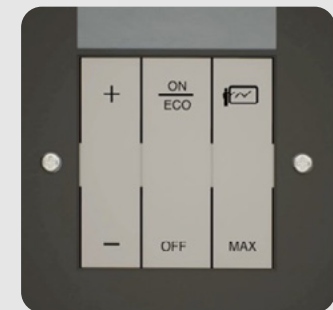
Smart, yet simple

Less energy,
more flexibility
with our range
of intuitive
controls



Lighting design should consider the function of the space throughout the day and into the evening, as needs — and daylight — change. **Organic Response®** automatically balances classroom lighting with daylight to keep levels comfortable and reduce energy by up to 30%.

Intuitive controls also offer users lighting options to create the right lighting ambience for every kind of task.

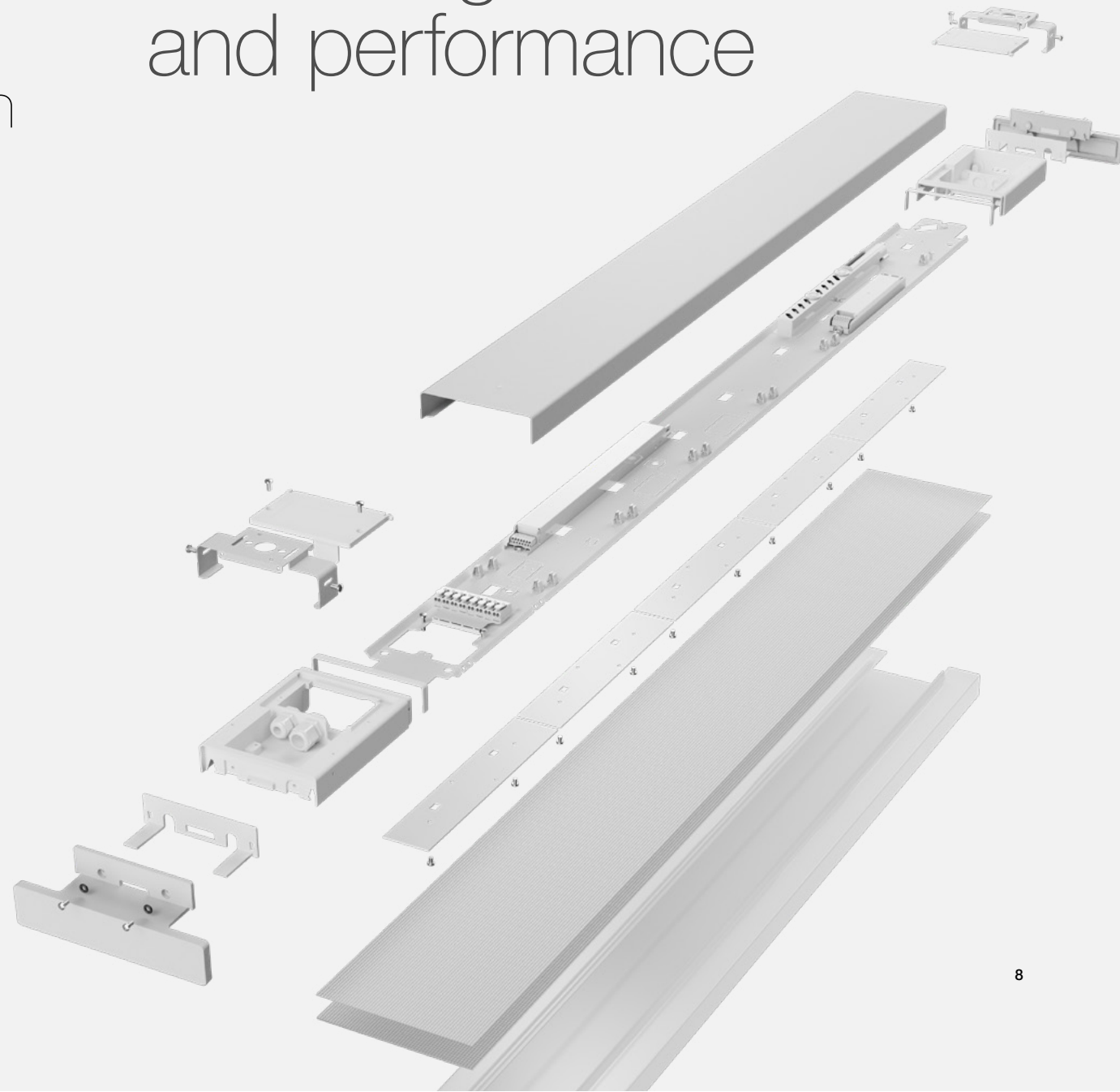


Reducing
embodied carbon
virgin material extraction
carbon miles
maintenance
end of life waste



At Whitecroft, we're committed to working to circular design principles. That means finding ways to reduce the impact of our products throughout their entire life-cycle and allowing for future regeneration or repurposing of materials.

And we don't just say it, we prove it. Scribe comes with a third-party life-cycle assessment (LCA) and environmental product declaration (EPD), calculating whole life environmental impact.

Increasing comfort
and performance



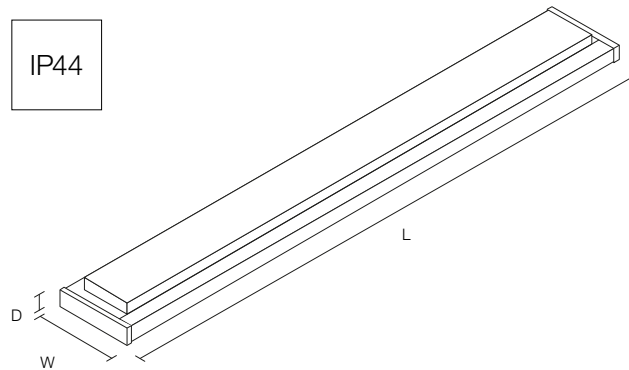
Scribe offers a range of product options suitable for a variety of environments. For product information and technical details please visit our website.

Type	Integral Controls	Driver		Nominal output					Colour temperature		Colour rendition		Body colour			Emergency lighting		
	Organic Response®	Fixed output	DALI	3400	3700	4300	4700	5300	3000K	4000K	Ra80	Ra90	White	Black	Silver	EM	COMEPS	Routefinder Wireless
Surface 	•	•	•	•	•	•	•	•	•	•	•	•	•	•	•	•	•	•
Suspended 	•	•	•	•	•	•	•	•	•	•	•	•	•	•	•	•	•	•

- 3400 and 3700 lumens = 1200mm length
- 4300, 4700 and 5300 lumens = 1500mm length
- Organic Response® only available with DALI driver
- Routefinder Wireless (EW) not available with Organic Response®

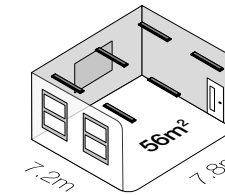
Product dimensions

Description	Dimensions (mm)
Scribe 3400 - 3700 lumens	205W x 1208L x 82D
Scribe 4300 - 5300 lumens	205W x 1508 x 82D



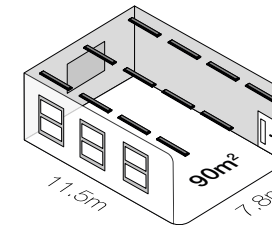
56m² classroom, 3.2m ceiling height, 2.7m mounting height

Variant	4700 lumen, 1500mm	
	Target	Achieved
Horizontal/task (lux)	300 lux	349
Uniformity (task)	≥0.6	0.75
Walls (% of horizontal)	≥50% of horizontal	51%
Ceiling (% of horizontal)	≥30% of horizontal	30%
Cylindrical (E _{cyl})	≥150 lux	150
Discomfort glare (UGR)	≤19	17.5
Maintenance factor (calculated)		0.82



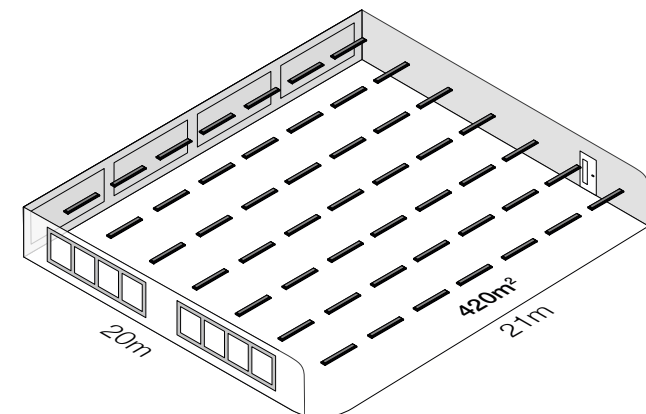
90m² classroom, 3.2m ceiling height, 2.7m mounting height

Variant	5300 lumen, 1500mm	
	Target	Achieved
Horizontal/task (lux)	500 lux	508
Uniformity (task)	≥0.6	0.83
Walls (% of horizontal)	≥50% of horizontal	51%
Ceiling (% of horizontal)	≥30% of horizontal	31%
Cylindrical (E _{cyl})	≥150 lux	222
Discomfort glare (UGR)	≤19	18.5
Maintenance factor (calculated)		0.82



Open-plan office, 70/50/20 reflectance values, 3.2m ceiling height, 2.7m mounting height

Variant	5300 lumen, 1500mm	4300 lumen, 1500mm	3400 lumen, 1200mm
Horizontal/task (lux)	501	406	321
Uniformity (task)	0.84	0.84	0.84
Walls (lux)	252	205	145
Ceiling (lux)	160	130	103
Cylindrical (E _{cyl})	227	184	161
Discomfort glare (UGR)	18.8	18.1	18
Disability glare (cd/m ²)	2860	2321	2298
Maintenance factor (calculated)	0.8	0.8	0.8





UK Head Office

Whitecroft Lighting Ltd
Burlington Street
Ashton-Under-Lyne
Lancashire
OL7 0AX

T +44 (0)161 330 6811
email@whitecroftlight.com

London Office

Whitecroft Lighting Ltd
Suite 779 Salisbury House
London Wall
Finsbury Circus
EC2M 5SQ

T +44 (0)161 330 6811

Rep. Ireland Office

Fagerhult Ltd
F1 Calmount Park
Ballymount, Dublin 12
Ireland

T +353 (0)1 426 0200
info@fagerhult.ie
www.fagerhult.ie

